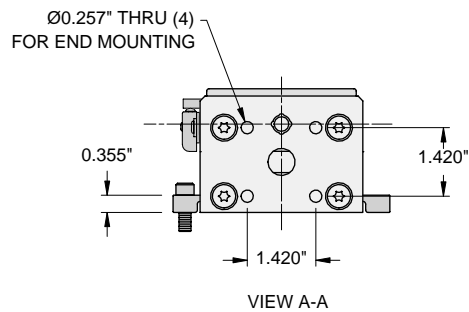
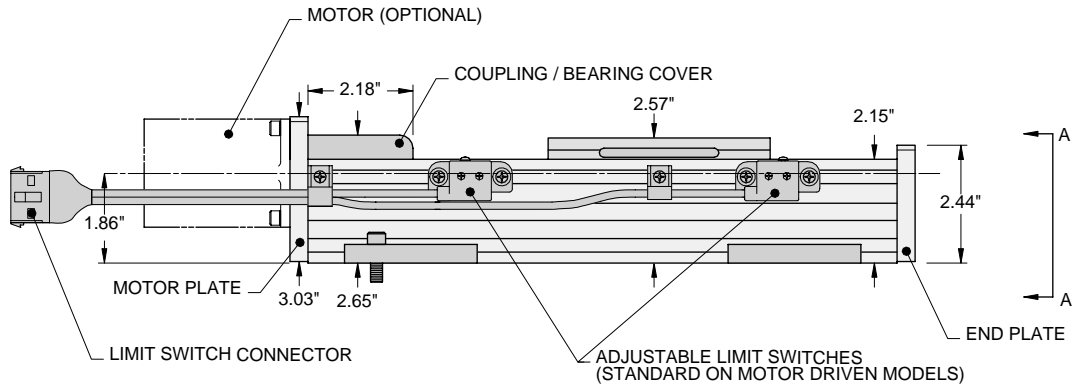
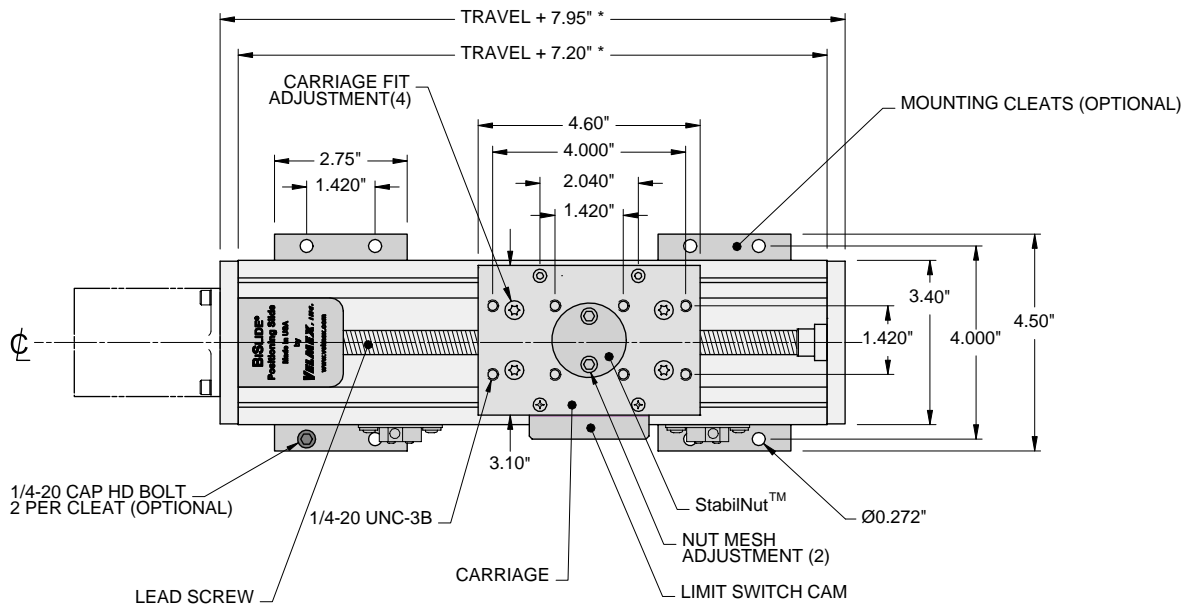


BiSlide Assembly Series M Dimensions



Travel Length (Inches)	Cleats Recommended**
5	4
10	4-6
15	4-8
20	6-10
30	8-12
40	10-14
50	12-16
60	14-18
80	16-20

**Use higher number for heavy loads