

**Manual BiSlide Available With or Without Position Readout**

Manual BiSlide models have a knob or a knob with a digital counter position readout. For added convenience the knob crank is easily folded inside the knob. Both models feature a thumb lock that applies friction to the knob input shaft, locking the carriage in place. This thumb lock can be positioned at any 90 degree orientation on the basic models, and can be relocated either to the left or to the right side on digital readout models.

The digital counter is an absolute mechanical type readout. For the digits to be viewed correctly in various orientations, the following styles are offered: for horizontal (same for vertical with the knob down) applications, or vertical applications when the knob is up, and either incrementing positive or negative when traversing away from the knob. Manual BiSlide models can be easily retrofitted with a motor and limit switches in the field without special parts or machining.



Manual BiSlide Assembly with Digital Counter

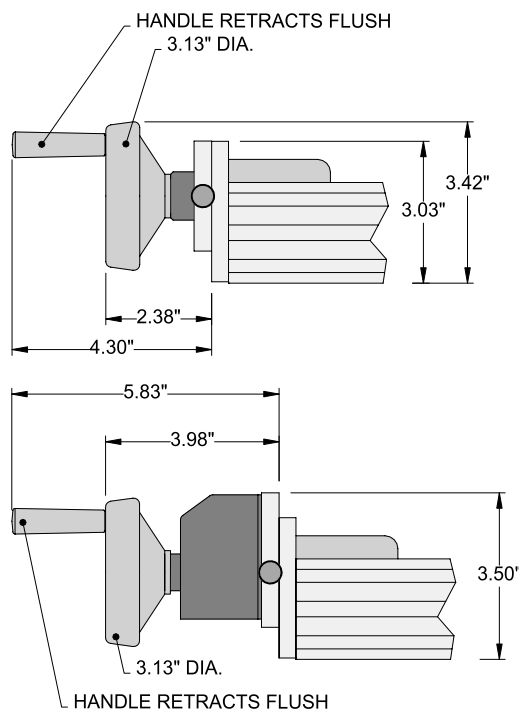
**Knob/Crank and Digital Counter Dimensions**



Manual BiSlide Assembly



Manual BiSlide Assembly with Digital Counter



Also available is the Free Sliding Model (BiSlide without lead screw drive) for direct push/pull, air cylinder, and for guiding other types of actuators.

Different lead screw characteristics provide application versatility.

Lead Screw	Advance/Turn	Resolution with Readout*
E01	0.100"	0.001"
E04	0.400"	0.001"
M02	2.00 mm	0.01 mm

**An Important Note About Lead Screws:**

The E01 and M01 are self-locking designs that under normal conditions will not creep or backdrive (external forces on carriage do not cause lead screw to rotate). However, with the thumb lock off, the E04 can backdrive when used vertically or when the thrust load exceeds 2 lbs.

\* Resolution is vernier lines on the least significant digit.