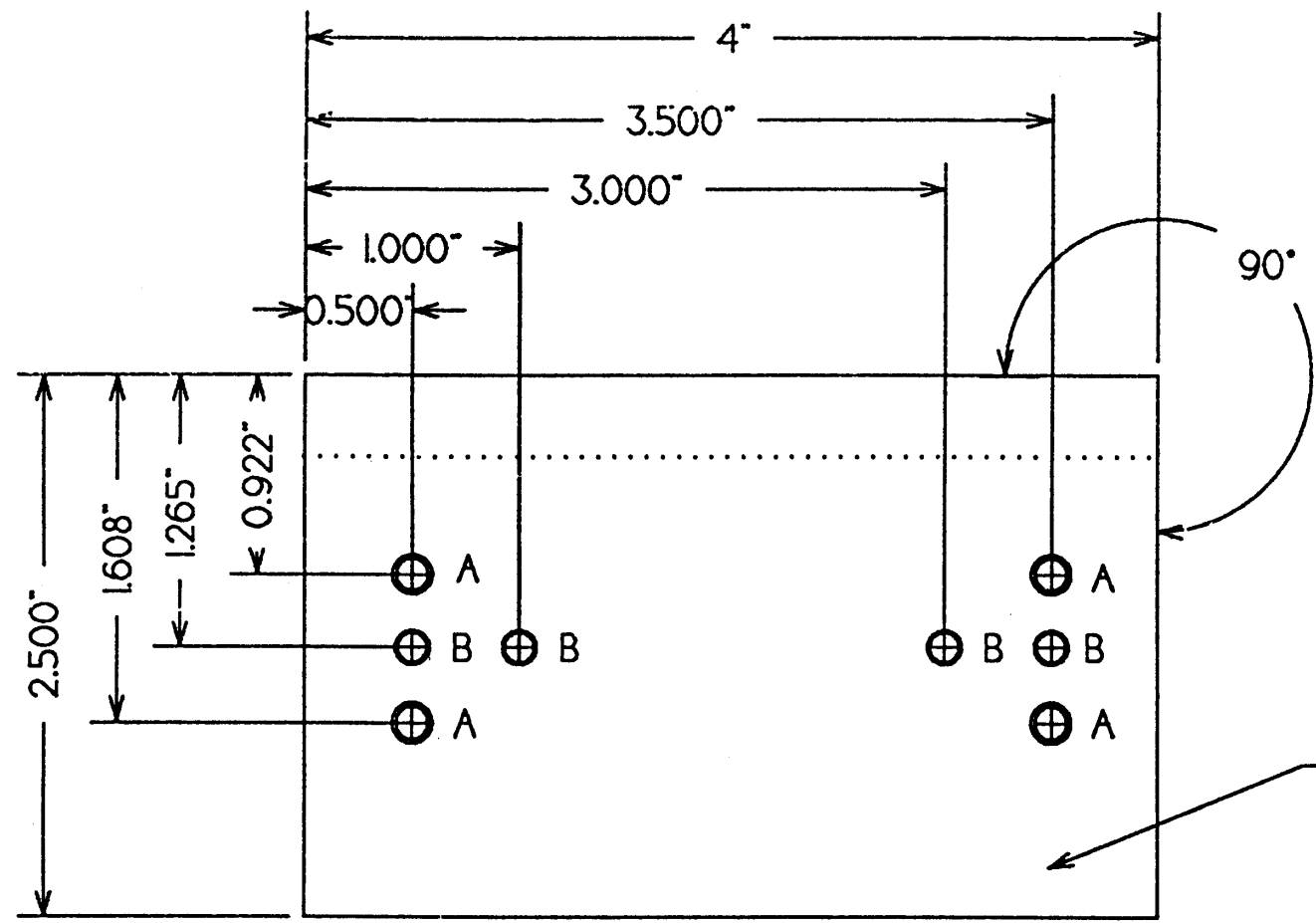
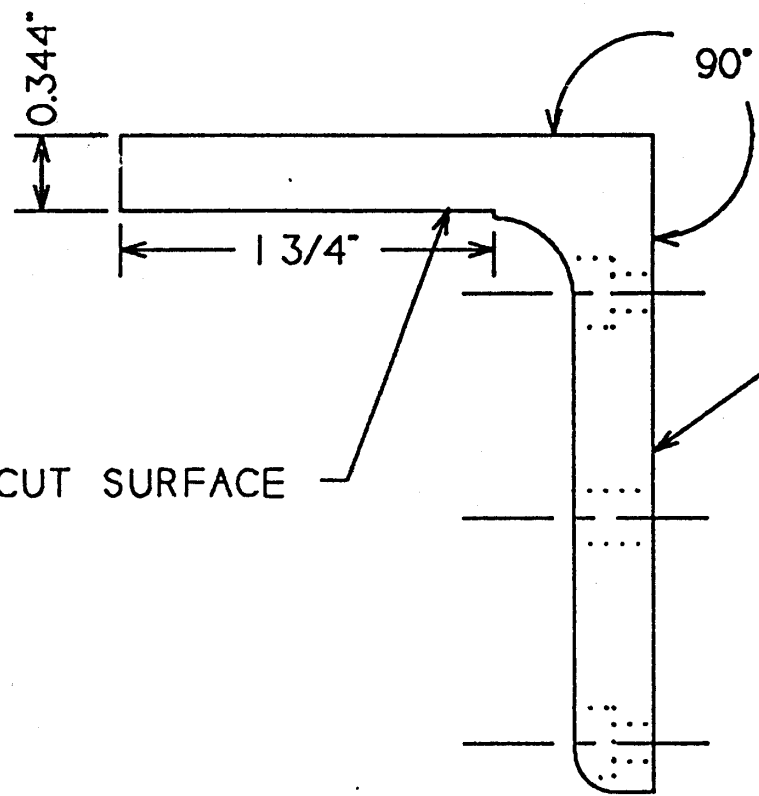
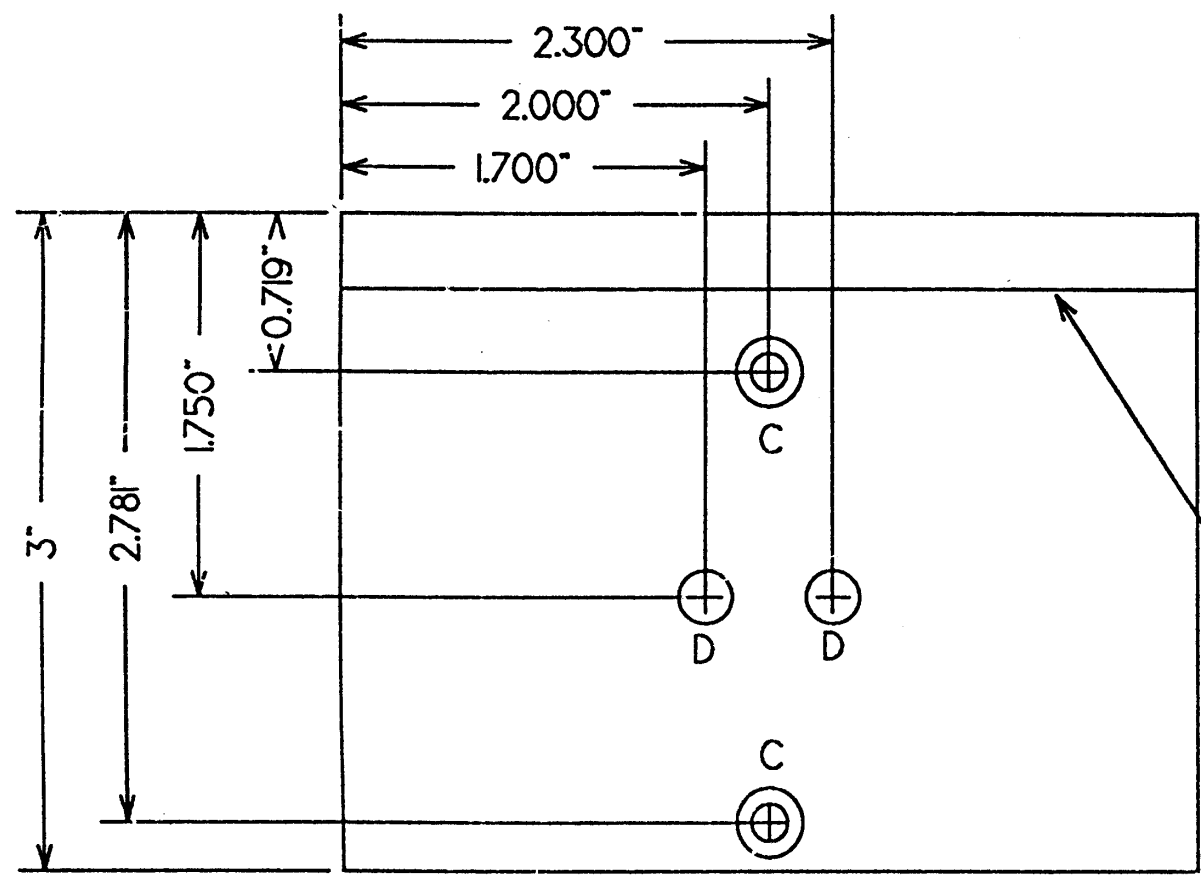


DATE	REVISION	BY
7-93	SURFACE & SQUARENESS NOTES ADDED	AL



- A #21 THRU TAP 10-32 2B (4 HOLES)
- B #29 THRU TAP 8-32 2B (4 HOLES)
- C #18 THRU 5/16" Ø C BORE 3/16" DP (2 HOLES)
- D #1/4" THRU (2 HOLES)

PARALLEL & SQUARE WITHIN .005 TIR
 BUFF ALL NON-MACHINED SURFACES



63 FLYCUT SURFACE

N220
VELMEX, INC. DRAWN BY AL
 SCALE FULL

TOLERANCES .XX ± 0.010 .XXX ± 0.005 FRACTION ± 1/32 ANGULAR .005 TIR	MATERIAL 3/8" x 3" x 3" ALU 6061 ANGLE	ANODIZE
DATE 7/26/93	TITLE B2900 ELEVATING TABLE PLATFORM	
	DVG NUMBER 5041-2A	