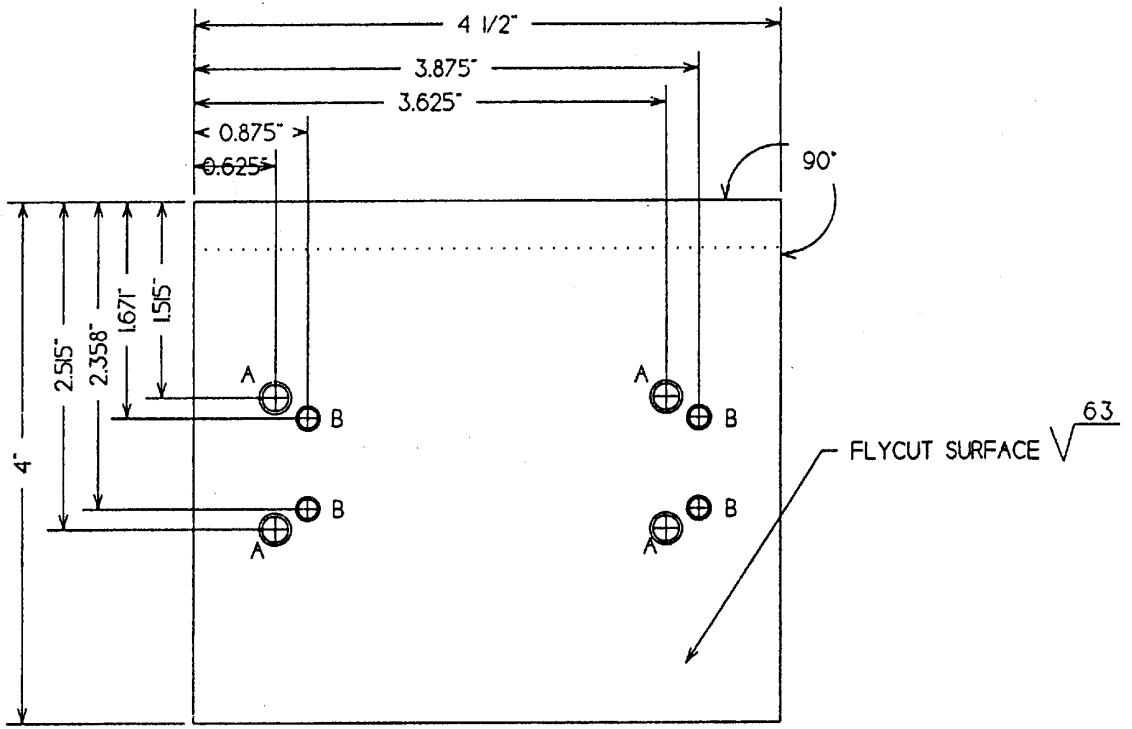
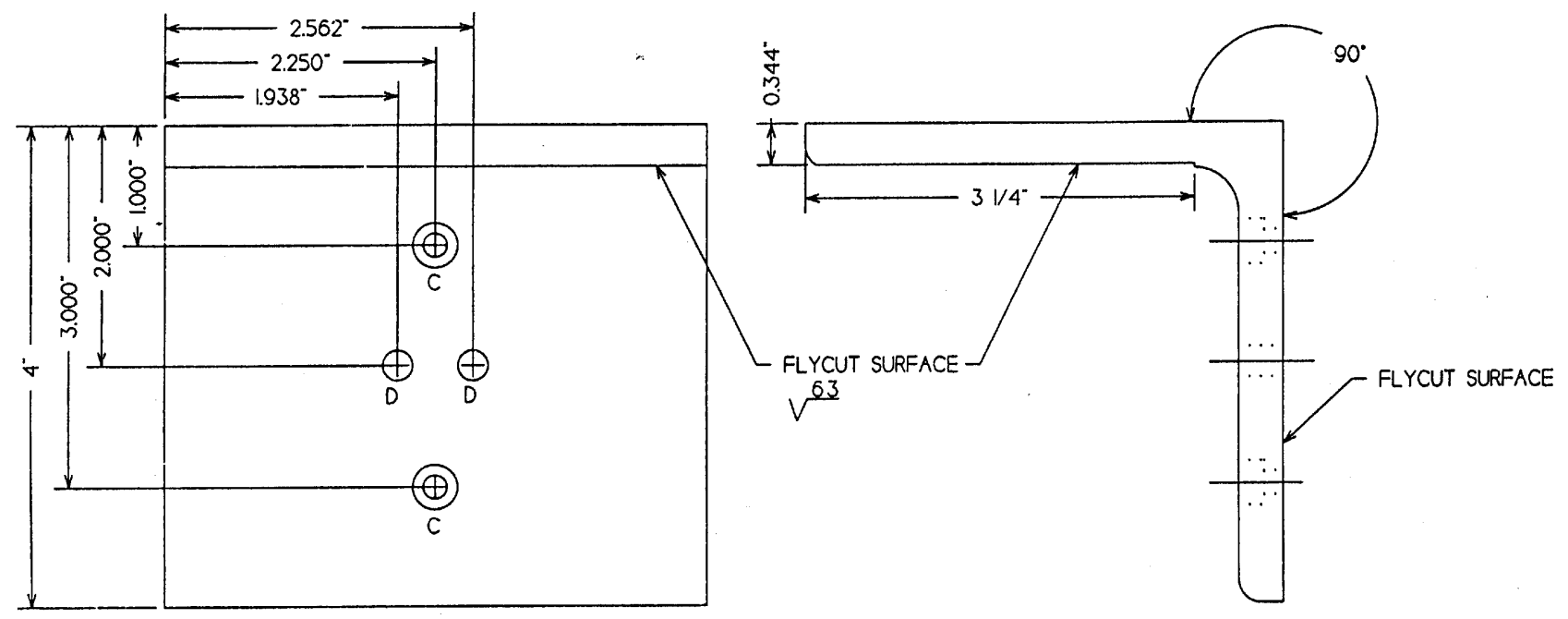


DATE	REVISION	BY
7-93	MATERIAL CHG TO 3/8x4x4 & SQUARENESS NOTATION	AL



- A #7 THRU TAP 1/4-20 2B (4 HOLES)
- B #21 THRU TAP 10-32 2B (4 HOLES)
- C #9 THRU 3/8" Ø C BORE 7/32" DP (2 HOLES)
- D 1/4" THRU (2 HOLES)

PARALLEL & SQUARE WITHIN .005 TIR
 BUFF ALL NON-MACHINED SURFACES



VELMEX, INC. DRAWN BY AL
 SCALE FULL

TOLERANCES .XX ± 0.010 .XXX ± 0.005 FRACTION ± 1/32 ANGULAR .005 TIR	MATERIAL 3/8x4x4 6061 ALU ANGLE
DATE 7/13/93	TITLE B4900 ELEVATING TABLE PLATFORM
	DWG NUMBER 5042-2A