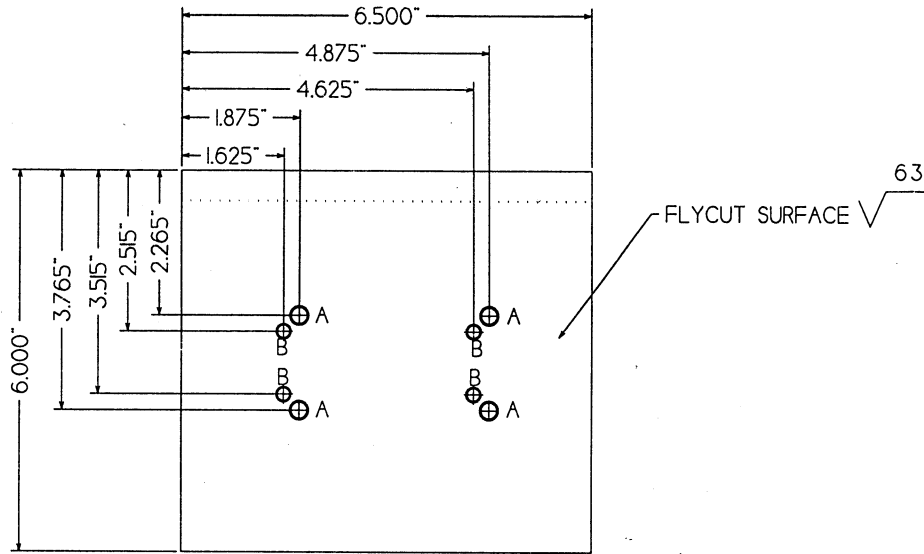


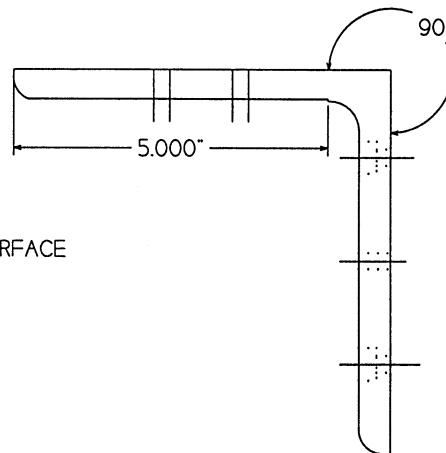
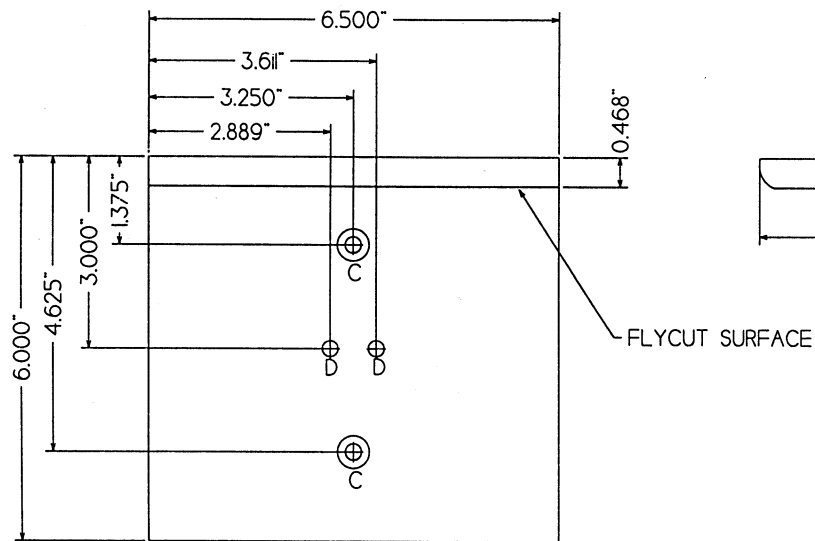
DATE	REVISION	BY
6-93	CHG MATL CALL OUT ADDED SOR 'NESS NOTE	AL



- A *F*THRU TAP 5/16-18 2B (4 PLCS)
- B #6 THRU TAP 1/4-20 2B (4 PLCS)
- C *F*THRU C*BORE 3/8"Ø 9/32"DP (2 PLCS)
- D *F*THRU (2 PLCS)

PARALLEL & SQUARENESS WITHIN .005 TIR

BUFF ALL NON-MACHINED SURFACES



VELMEX, INC. DRAWN BY AL
SCALE FULL

TOLERANCES	MATERIAL	ANDDIZE
.XX ± 0.010	1/2x6x6 6061	
.XXX ± 0.005	ALU ANGLE	
FRACTION ± 1/32	TITLE B6900 ELEVATING TABLE PLATFORM	
ANGULAR .005TIR		
DATE 6/30/93	DVG NUMBER 5043-2A	