



Model Identification

7550 Routes 5 & 20 Bloomfield, N. Y. 14469
Telephones: 800 642-6446; 585 657-6151; 585 624-1080
FAX: 585 657-6153

One of the virtues of UniSlide Assemblies are the many options that can be added to produce a semi-custom solution for our customers. This virtue can make identification of a particular unit complicated. **However, most units have few if any options.** Please answer the following question and FAX it back. We can then determine your Model Number. Most questions can be answered by circling a response or checking a box.

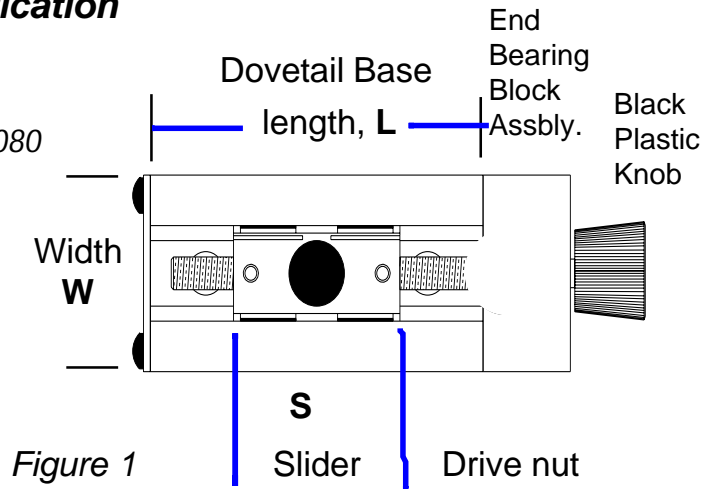


Figure 1

In drawing Figure 1, measure *W*, *S* and *L* values

The base width **W** is (circle one)

1.5" 2.5" 4" 6" 9"

The slider length **S** is ____"

The base length **L** is ____"

How many sliders are in the base? ____

Running down the center of the base there is:

- lead screw,
- mandrel (smooth steel rod)
- neither (we move it by hand).

Turning the lead screw 10 turns, the distance traveled is ____.

What color is the dovetail base?

- Aluminum or silver
- Black, but the dovetail ways are silver
- Black, including inside the dovetail ways

Does the unit have a scale or ruler attached along the top edge like Fig. 2? Yes No

If yes, the units are English Metric

Does the slider have a vernier plate attached to it like Fig. 2? No Yes

Which style knob does the unit have?

Black Plastic (Rogan) Fig. 1

Metal knob with crank Fig. 2

- English Micrometer or Metric Micrometer

Does the hand knob have engraved lines and numbers on it's hub or collar? No Yes

If yes, how many divisions are engraved on the knob? 25 50 100 200

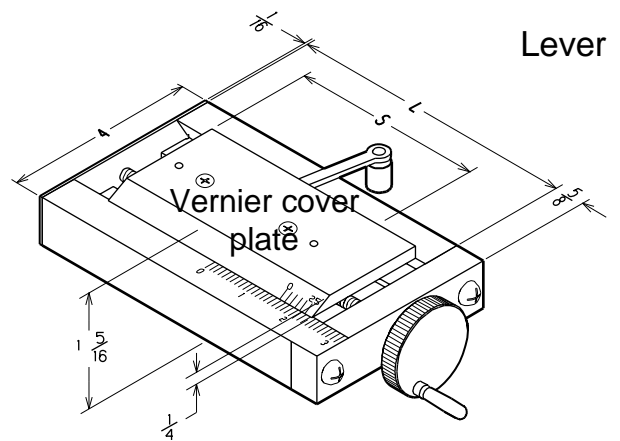


Figure 2

Is there a way to lock the slider in position? No Yes

No Yes

If yes, do you have

- a thumbscrew bearing on the lead screw
- a thumbscrew on the side edge bearing on the slider
- a lever that moves back and forth, like Fig 2

At the end opposite the hand knob, is there a revolution counter attached to the lead screw? No Yes

No Yes

Is the drive nut plastic or brass?

Is the lead screw stainless steel or brass?

Does the unit have bellows or way covers? No Yes

No Yes