

Turntables

Turntables differ from Velmex Rotary Tables in that turntables can be spun freely by hand. They also feature a 12° range of fine position adjustment. Typical applications include mounting and rotation of test specimens, cameras, transducers, sensors, and mirrors.

Unlike the rotary tables on page 1.62, turntables do not use a worm and gear design. They use a spring-loaded tangent screw drive for fine adjustments. With the clamping knob released, the turntable can be freely rotated into position by hand. Tightening the clamping knob engages a tangent screw driven against a spring-loaded yoke, allowing fine motion control. The spring will resist up to 14 oz-in of rotational torque.

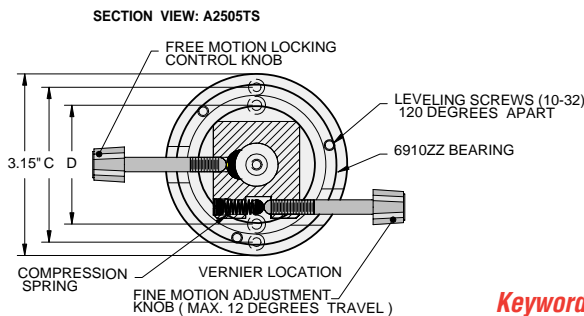
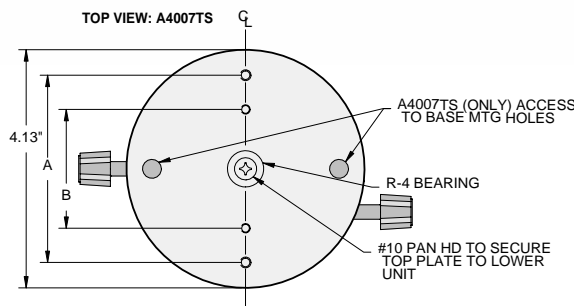
Table features include an easy to read engraved 360° scale, 6 minute (0.1 degree) resolution, maximum horizontal load capacity of 200 pounds, and rugged black finish. These tables cannot be motor-driven and are not recommended for tensile (pulling) loads or vertical loads greater than 1 lb.

Base Mounting

Model A2505TS: This table will mount on an A15 Series 3" slider using the C holes, and A25 or B25 2 1/2" sliders using the D holes. If the A25 Series unit has a 2.5" slider and thumbscrew lock, 0.650" travel will be relinquished.

Model A4007TS: This turntable will mount on all A40 or B40 sliders using the C holes and A/B 60 sliders.

Model	Diameter	Height
A2505TS	3.15"	1.3"
A4007TS	4.13"	1.3"



Keyword: turntable

Model Number	Thread	Center to Center	Accepts
A2505TS	A	8-32	2.062"
	B	N/A	N/A
		Clearance	Center to Center
C	#6 CPHD	2.688"	A1500 3" Slider
D	#8 CPHD	2.062"	All A2500 Sliders
Model Number	Thread	Center to Center	Mounts On
A4007TS	A	10-32	3.250"
	B	8-32	2.062"
		Clearance	Center to Center
C	#10 CPHD	3.250"	All A40/60 Sliders
D	N/A	N/A	--