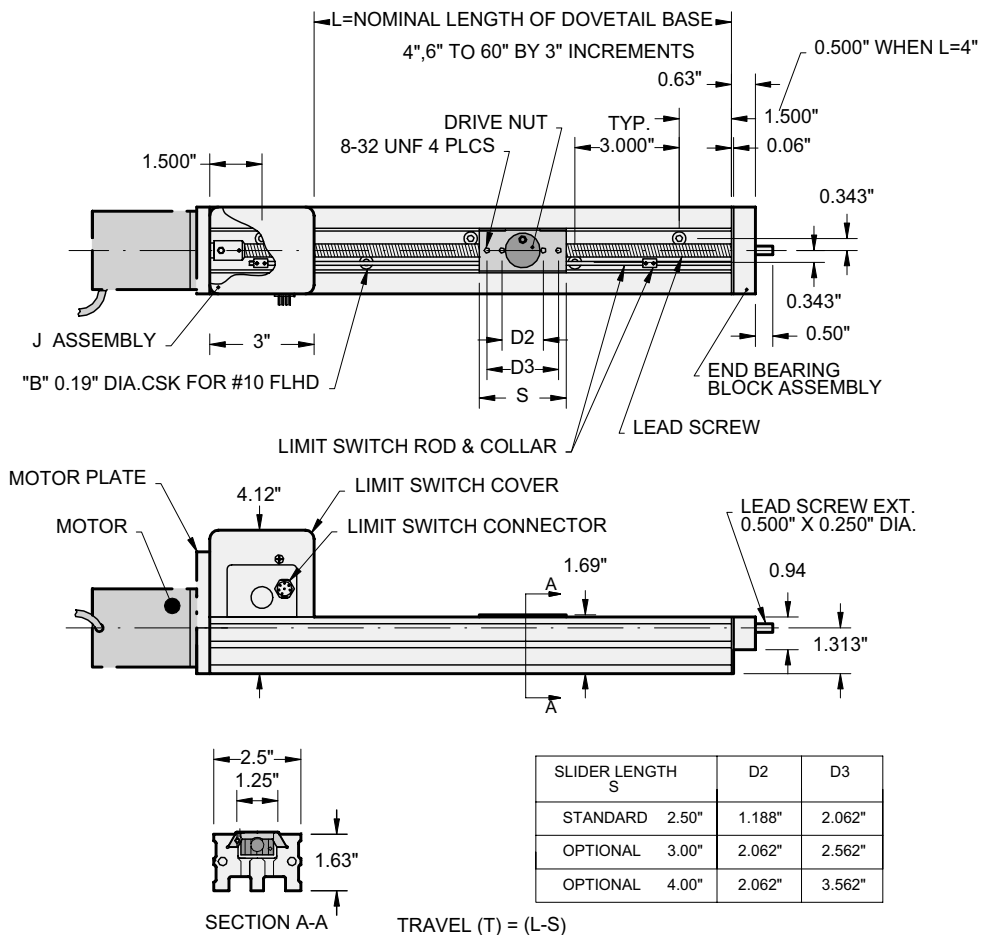


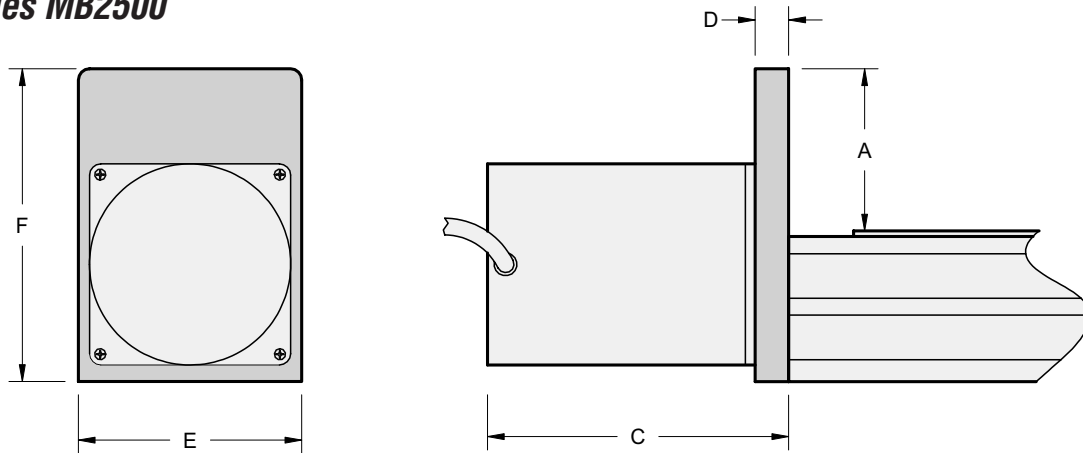
Series MB2500



Series MB2500



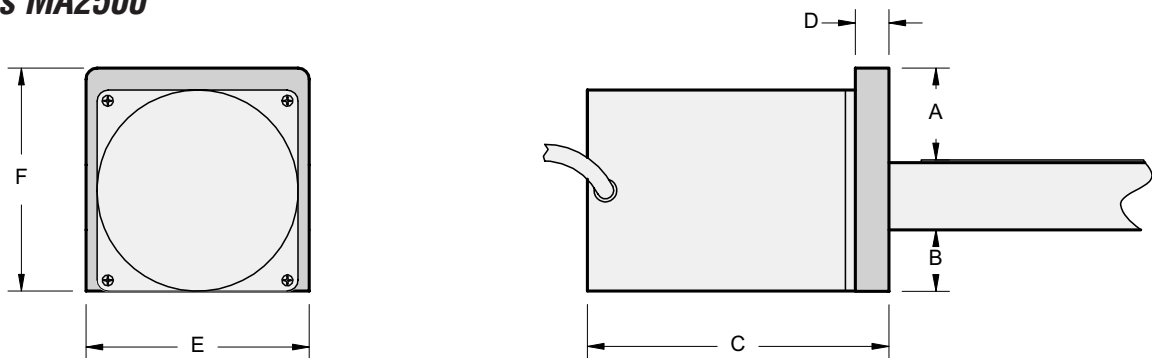
Series MB2500



MOTOR TYPE	A	C	D	E	F
BODINE TYPE K	1.81"	3.40"	0.375"	2.50"	3.50"
PITTMAN GM8000 SERIES	1.81"	3.66"	0.375"	2.50"	3.50"
NEMA TYPE 17 VEXTA PK245	1.81"	3.23"	1.375" *	2.50"	3.50"
NEMA TYPE 23T1 VEXTA PK264	1.81"	1.92"	0.375"	2.50"	3.50"
NEMA TYPE 23T2 VEXTA PK266	1.81"	2.51"	0.375"	2.50"	3.50"

* (2) PLATES .375" X 2.5" X 3.5" & 1" X 1.5" X 1.5"

Series MA2500

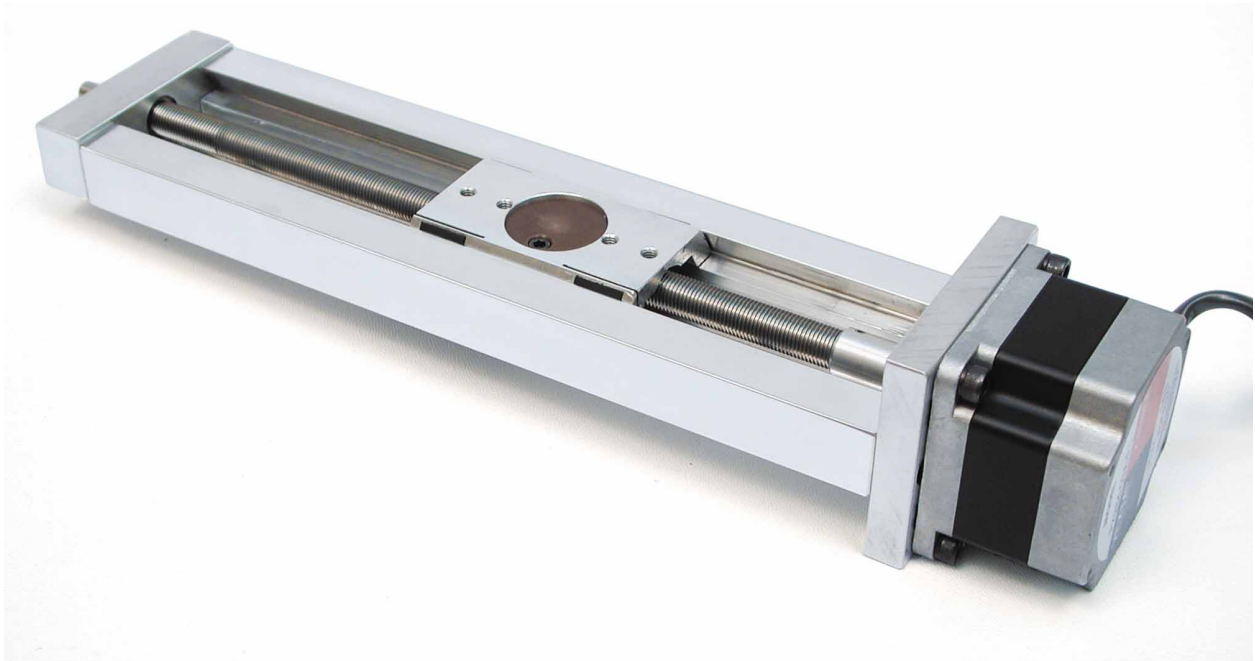


MOTOR TYPE	A	B	C	D	E	F
PITTMAN GM8000 SERIES	0.38"	0.31"	3.66"	0.375"	2.5"	1.50"
PITTMAN GM9000 SERIES	1.13"	0.31"	4.58"	0.25"	2.5"	2.25"
NEMA TYPE 17 VEXTA PK245	0.38"	0.31"	3.23"	1.375"	2.5"	1.5"*
NEMA TYPE 23T1 VEXTA PK264	0.75"	0.69"	1.92"	0.375"	2.5"	2.25"
NEMA TYPE 23T2 VEXTA PK266	0.75"	0.69"	2.51"	0.375"	2.5"	2.25"

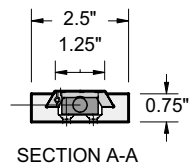
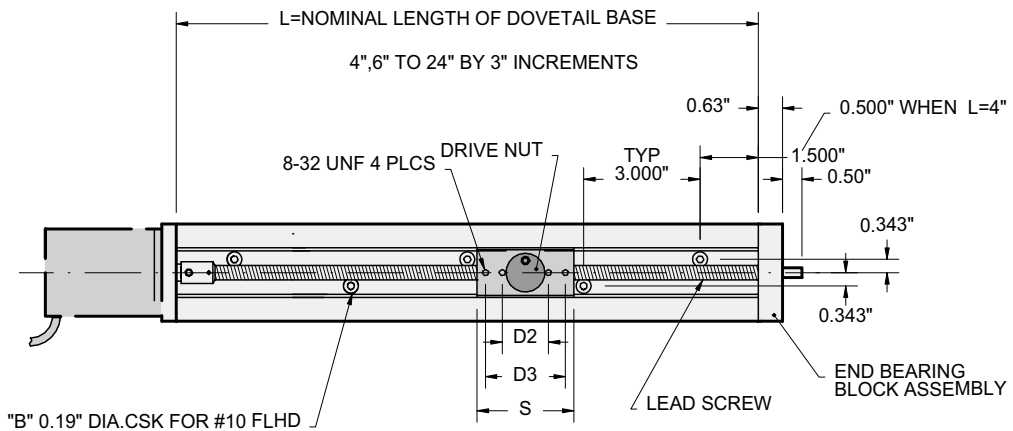
* (2) PLATES .375" X 1.5" X 2.5" & 1" X 1.5" X 1.5"

Other motor options are available – see page 3.6

Series MA2500



Series MA2500



SLIDER LENGTH S	D2	D3
STANDARD 2.50"	1.188"	2.062"
OPTIONAL 3.00"	2.062"	2.562"
OPTIONAL 4.00"	2.062"	3.562"

TRAVEL (T) = (L-S) -1.0"