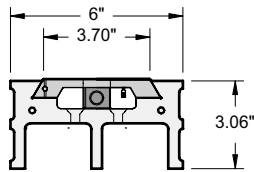
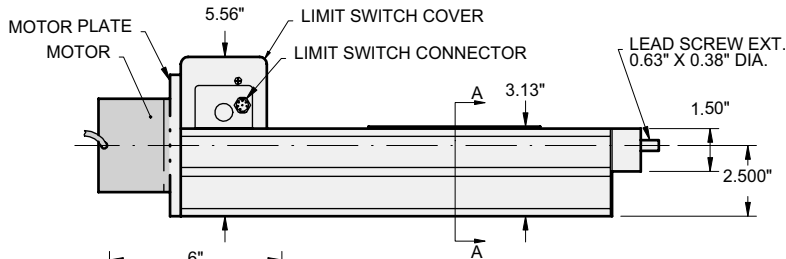
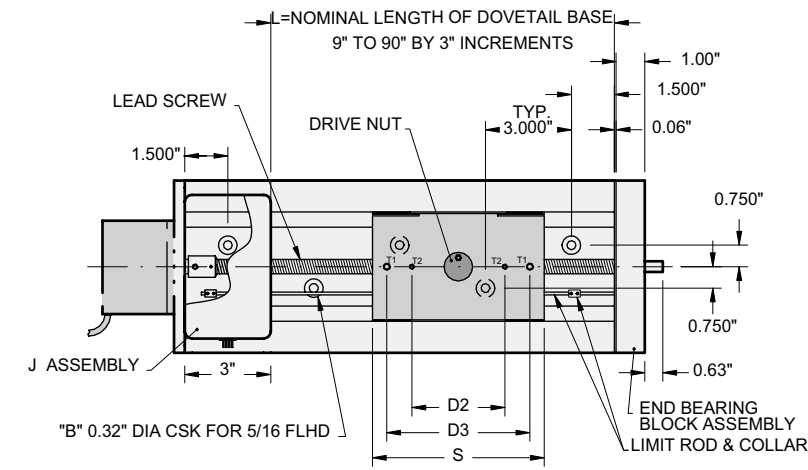


Series MB6000



Series MB6000

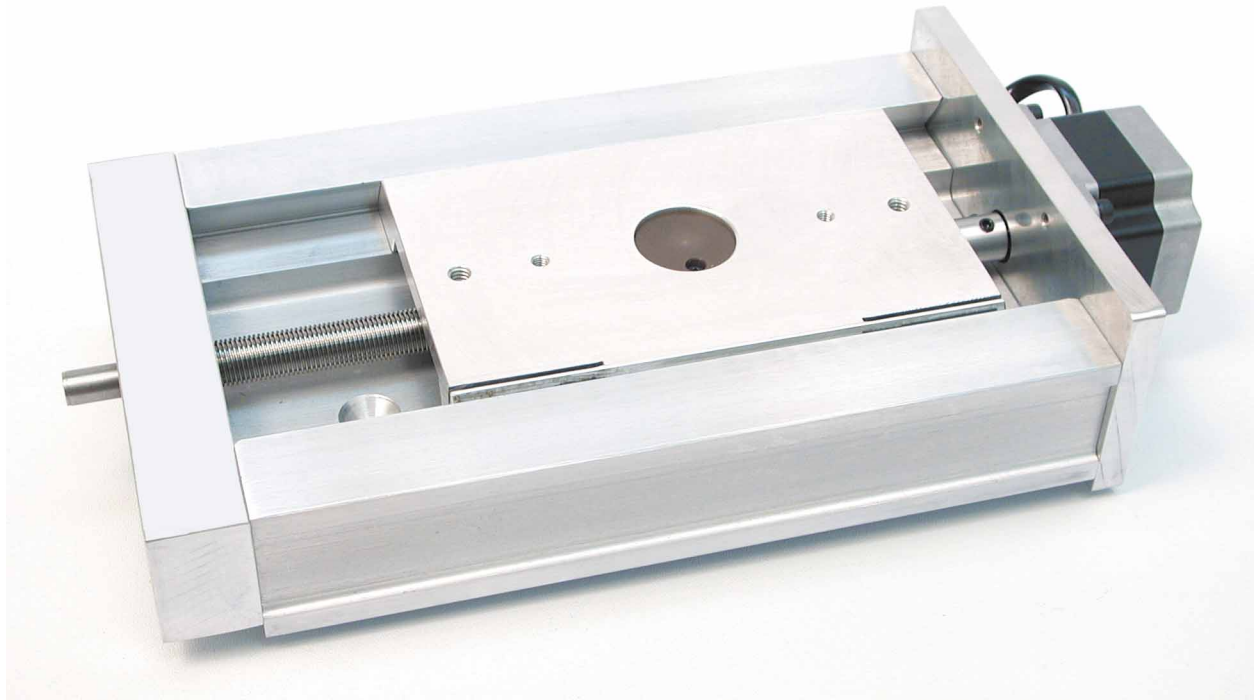


SECTION A-A

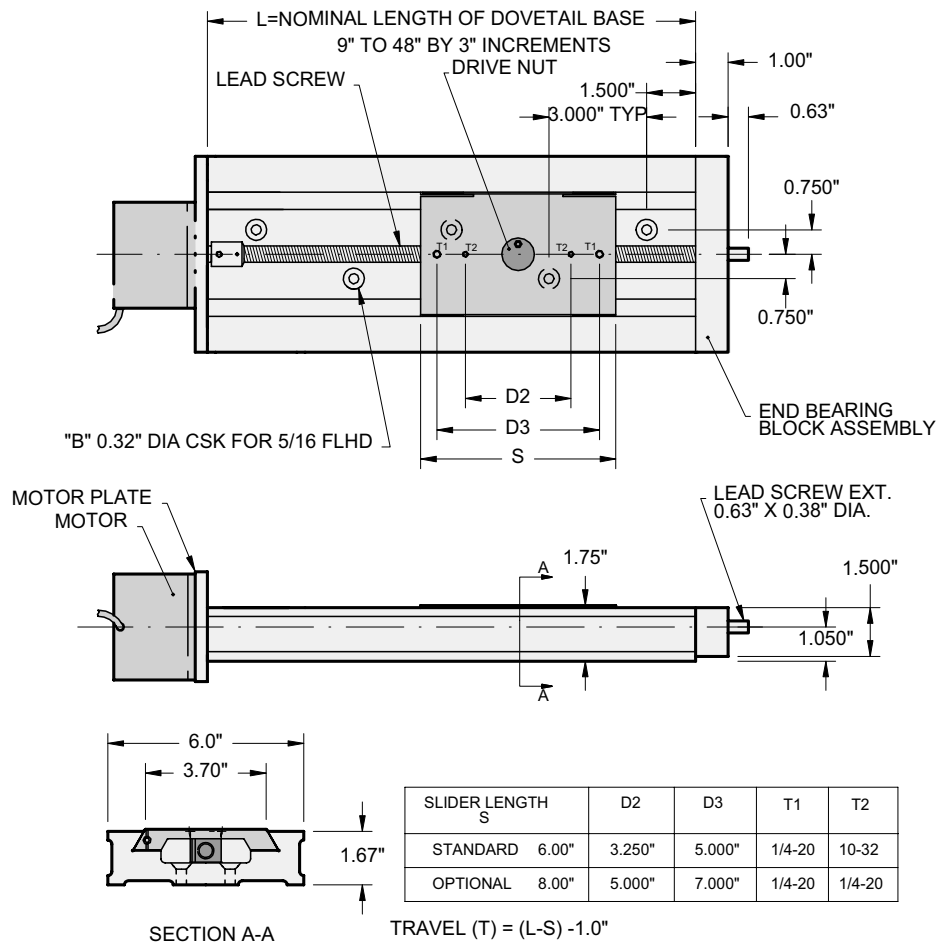
TRAVEL (T) = (L-S)

SLIDER LENGTH S	D2	D3	T1	T2
STANDARD 6.00"	3.250"	5.000"	1/4-20	10-32
OPTIONAL 8.00"	5.000"	7.000"	1/4-20	1/4-20

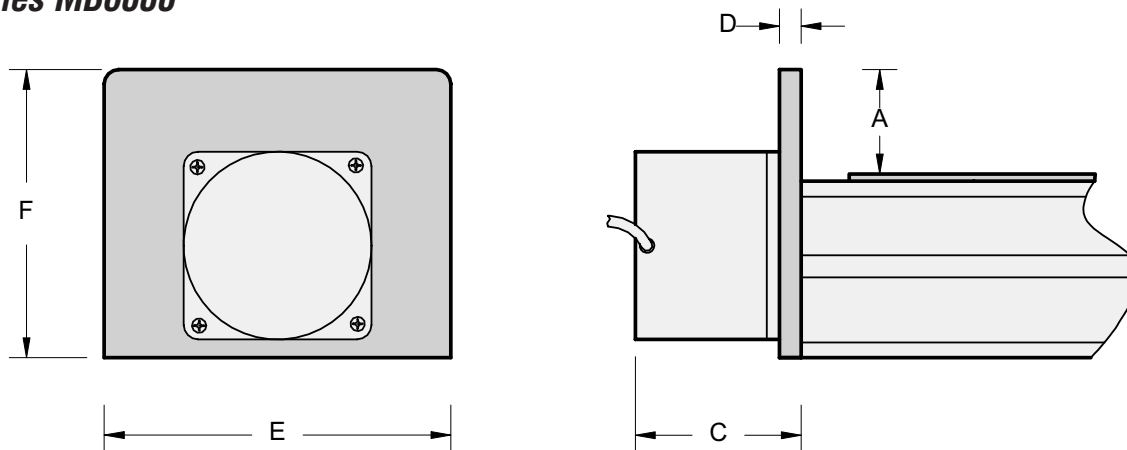
Series MA6000



Series MA6000

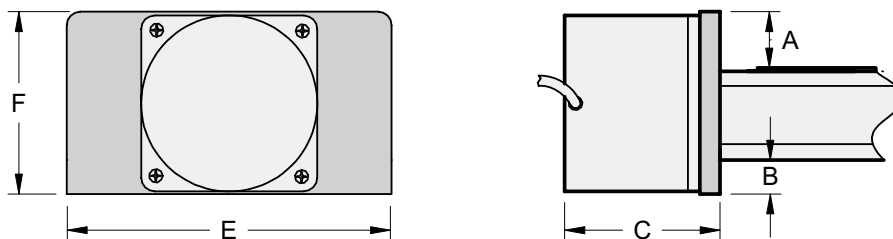


Series MB6000



MOTOR TYPE	A	C	D	E	F
BODINE TYPE 30R-D MODELS 5470-5474	1.87"	5.86"	0.375"	6"	5"
BODINE TYPE 24 A4-Z MODELS 0157-0163	1.87"	8.20"	0.375"	6"	5"
NEMA TYPE 23T2 VEXTA PK266	1.87"	2.51"	0.375"	6"	5"
NEMA TYPE 34T2 VEXTA PK299	1.87"	4.16"	0.375"	6"	5"

Series MA6000



MOTOR TYPE	A	B	C	D	E	F
PITTMAN 9000 SERIES	0.25"		4.71"	0.375"	6"	2"
NEMA TYPE 23T2 VEXTA PK266	0.40"	0.10"	2.51"	0.375"	6"	2.50"
NEMA TYPE 34T1 VEXTA PK296	0.93"	0.70"	2.98"	0.375"	6"	3.375"

Other motor options are available – see page 3.6