

XY Adapter Plates

These aluminum XY Plates allow you to configure an XY motion system using two UniSlides. Each plate has a hole pattern that mates the slider of the lower (X) UniSlide, and at right angles to that, a pattern matching the base of the top (Y) UniSlide.

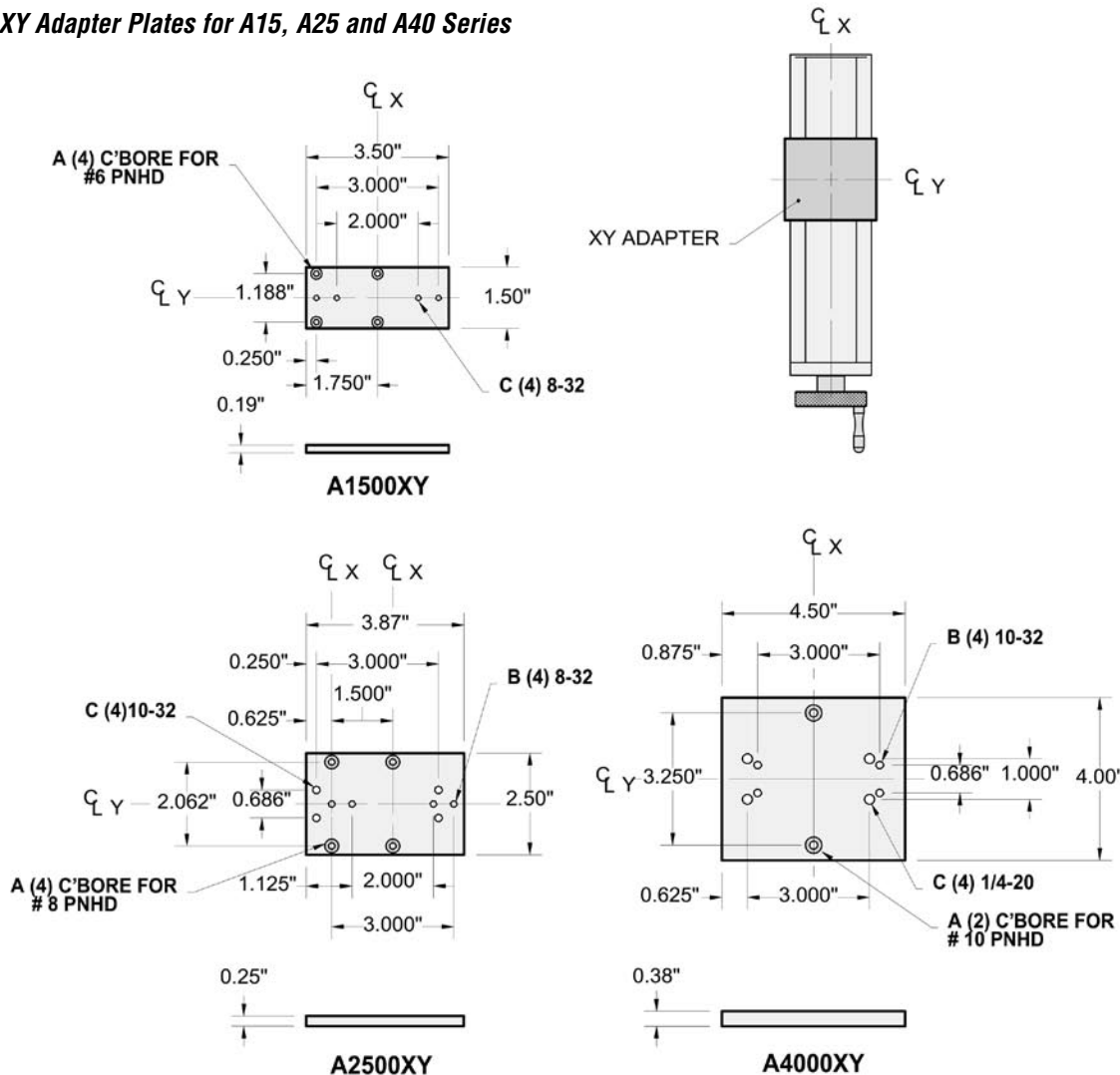
Select the adapter plate to match the lower UniSlide Series you will be using. For example, use the A4000XY Adapter Plate with A40 Series UniSlides. Typical examples are illustrated on page 1.57.

If the moment on the supporting (X axis) unit is significant, you will want to combine two different Series, using the larger Series for the supporting unit. To accommodate this, all adapter plates include a hole pattern for the base of the next smaller UniSlide Series. Therefore, the A2500XY Adapter Plate will also accept A15 Series using the base hole pattern. Similarly, the A4000XY Plate accepts both A40 and A25 Series UniSlides, the A6000XY Plate accepts both A60 and A40 UniSlides. and the B9000XY Plate

accepts both B90 and A60 UniSlides. The A1500XY Plate accepts only A15 Series UniSlides.

There are other uses for these plates too. They can be used as auxiliary payload mounting plates or as intermediate plates between the load and the slider. This provides more mounting surface area, and is also a quick way to change loads while maintaining their alignment to the UniSlide. And they provide an easy way to mount a UniSlide upside (slider) down.

XY Adapter Plates for A15, A25 and A40 Series



- A = FOR MOUNTING TO LOWER "X" UNISLIDE
- B = FOR MOUNTING TO UPPER "Y" UNISLIDE OF NEXT SMALLER SERIES
- C = FOR MOUNTING TO UPPER "Y" UNISLIDE OF THE SAME SERIES

Keyword: adapter

XY Adapter Plates for A60 and B90 Series

