

Table of Contents

<i>Frames and Bases Provide a Solid Foundation for Your Equipment</i>	4.2
<i>BiSlide Bases</i>	4.3
<i>Build Complex Configurations with the Versatile T-Slot Plate and Base Profile</i>	4.4
<i>BiSlide Angle Brackets</i>	4.5
<i>Post Assemblies</i>	4.6
<i>T3 Support Rails</i>	4.7

Frames and Bases Provide a Solid Foundation for Your Equipment

The Velmex T-Slot and Base (see page 2.38 of Motorized BiSlides chapter) structural profiles are the raw material you need to create strong, durable base and framing structures to support your BiSlide assemblies.

Two standard base designs (below) are available. F4-Style bases provide top rail support along the full perimeter, and are well suited to supporting heavy loads. The F2-Style bases have top rails on two sides, ideal for supporting BiSlide parallel coupled assemblies.



F4 style bases provide maximum support for heavy loads. F4 bases have I-beam top rails on all four sides.



T-nut for strong attachment to T-slots with 1/4-20 threaded bolts.

To keep cost low, these bases are usually shipped as an unassembled kit. Fasteners, plates, leveling feet and I-beam rails are included, and all necessary holes have been drilled and tapped. Detailed, easy-to-follow assembly instructions are included with each kit. These products are also available fully assembled.

Our web-site at www.bislide.com shows many more examples of frames and bases.



Loads bearing on the top rails are supported directly on the legs, unlike other systems that rely on fastener friction in T-slots for support.



F2 style base with a three axis BiSlide system. F2 Bases have I-beam top rails on two sides.

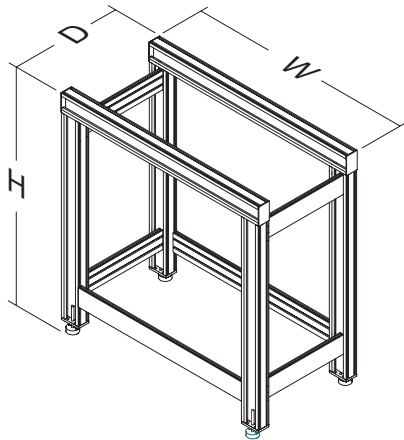
BiSlide Bases

The BiSlide bases are specified by type (F2 or F4) and the overall size. Lengths can be specified to meet your exact requirements. Bases can be reinforced with additional horizontal and vertical framing members for added stiffness. Very large bases can be configured from combining smaller bases.

These are some of the options available:

- Extended (overhanging) top rails
- Open sides or ends
- Metal or polymer work surfaces
- Optional mounting
- Shelves
- Rack panel attachment

Contact our Sales/Engineering department for more information.



F2 BiSlide Base

Model Number:

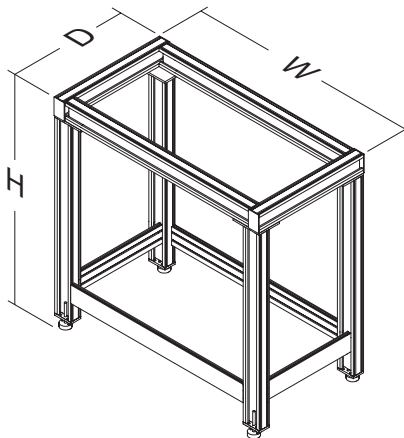
F2- W x D x H

Example: F2-40x30x24 (Frame with 2 top rails, 40" wide, 30" depth, 24" high)

All dimensions are outside and inch units.

Inside "D" = D-4.30"

Inside "W" = W-4.13"



F4 BiSlide Base

Model Number:

F4- W x D x H

Example: F4-60x48x30 (Frame with 4 top rails, 60" wide, 48" depth, 30" high)

All dimensions are outside and inch units.

Inside "D" = D-4.30"

Inside "W" = W-4.30"

Build Complex Configurations with the Versatile T-Slot Plate and Base Profile

The T-Slot Plate and Base profiles are the universal solutions for building supporting structures. These heavy duty, hard anodized aluminum extrusions have abundant T-slots for multiple attachment possibilities. Using the BiSlide cleat and T-nut system, you can easily attach structural profiles to themselves and to the BiSlide.

The photo below to the right shows a complete base made from T-Slot Plate.

See the full size cross section of the T-Slot and Base profiles on page 2.38, and the dimensional drawings on page 2.39, both in the Motorized BiSlide Section.

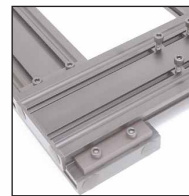
It's Easy to Position Your BiSlide Vertically

Vertical application versatility is built-in to every BiSlide. The end plate includes four mounting holes for attaching directly to the carriage of a horizontal assembly, or any other suitable mounting surface. For even more mounting flexibility, the standard BiSlide assembly can be end mounted, or "sandwich" cleated to the T-Slot plate and I-beam Base profiles.

Visit www.bislides.com to see more examples.



Base Extrusion and T-Slot Plate Profiles.



A complete base can be made from T-Slot Plate, T-nuts, Bolts, and Cleats.



BiSlide end mounted directly to T-Slot Plate.



BiSlide mounted directly to another BiSlide in an XZ configuration.

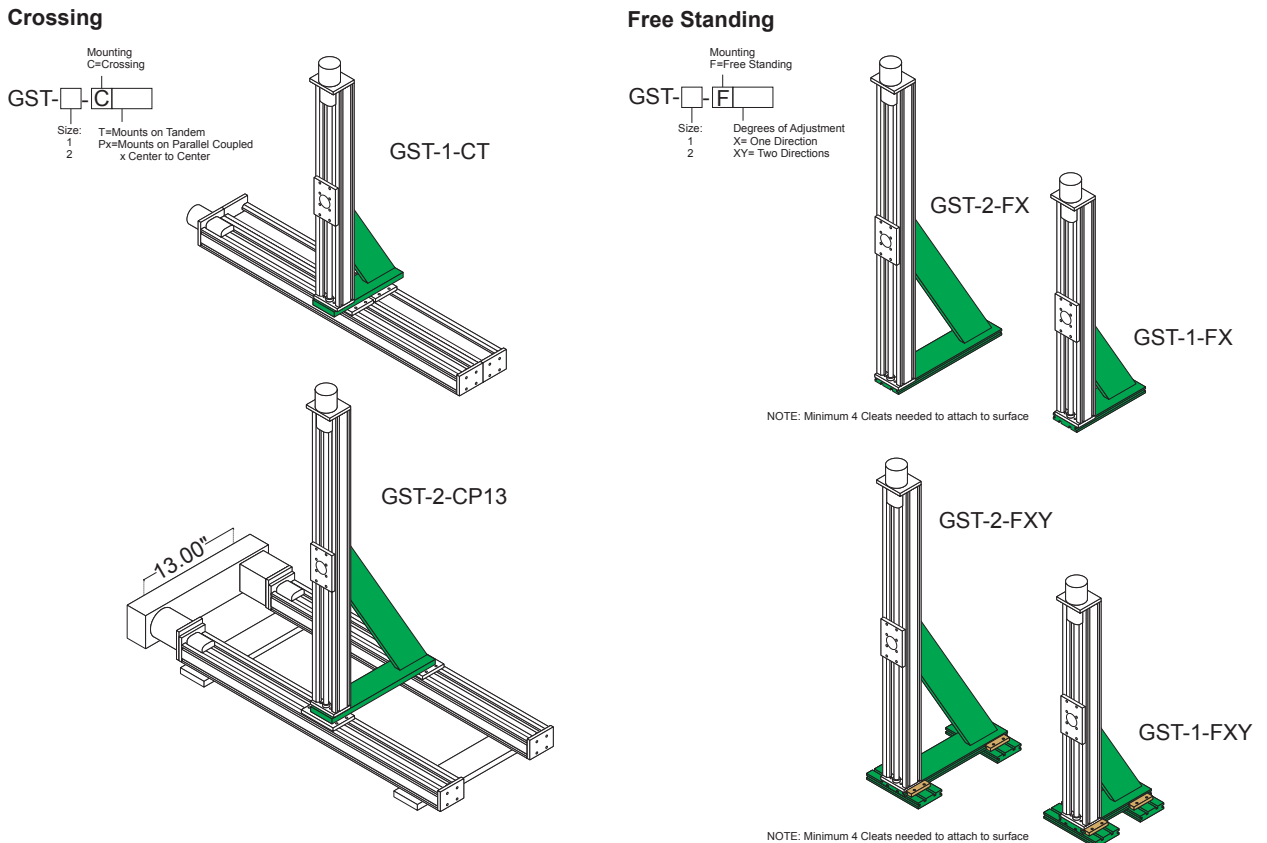
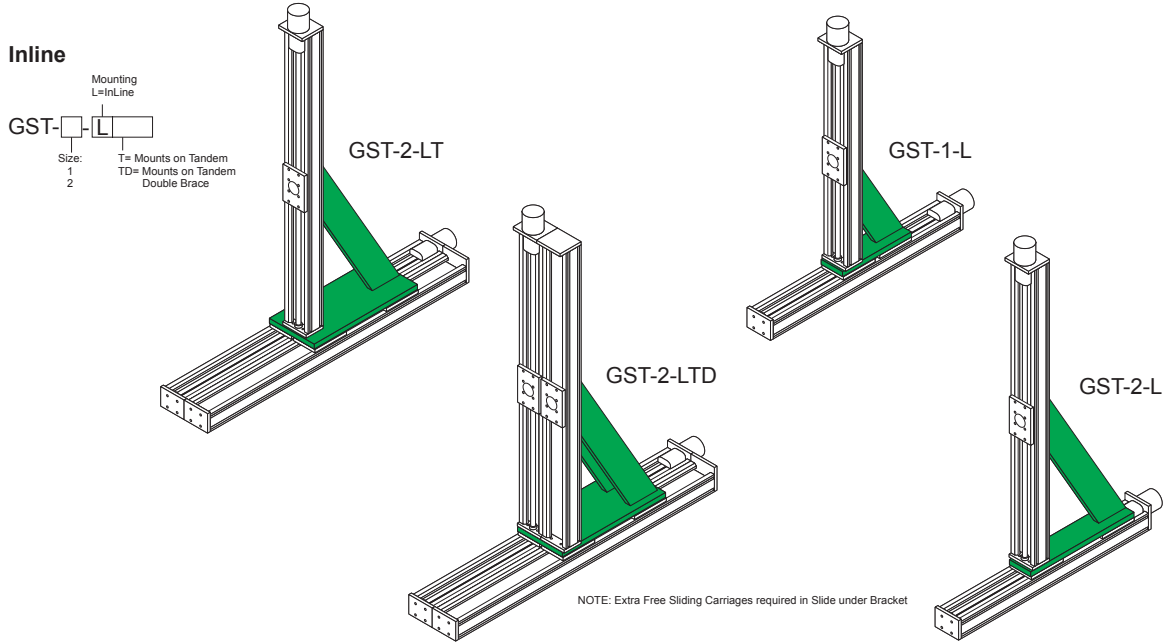


This right angle drive option has a standard BiSlide sandwich cleated to the I-beam Base profile (vertical). The bottom (horizontal) surface is the T-Slot plate profile.

BiSlide Angle Brackets

The Angle Brackets allow longer BiSlide assemblies to be end mounted with higher stability. These brackets feature either direct mounting to another BiSlide assembly, or attachment with the BiSlide cleats.

The three types of brackets are: Inline, Crossing, and Free Standing. The GST-1 brackets are 10" deep and 14" high (for BiSlide assemblies with minimum of 10" travel). The GST-2 brackets are 15" deep and 22" high (for BiSlide assemblies with minimum of 20" travel).

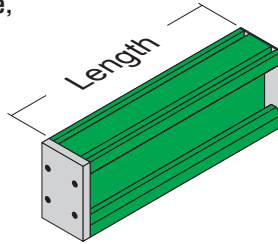
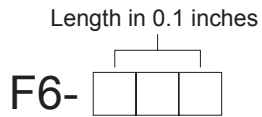


Post Assemblies

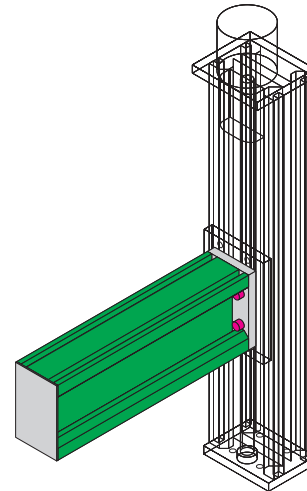
Post Assemblies utilize the MSX base and foot plate that will attach at right angles to the BiSlide assembly. These posts provide a convenient method for attaching rotary

tables, or other accessories at right angles a distance from the carriage surface.

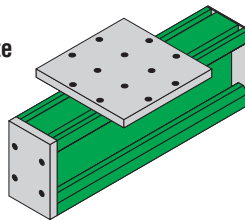
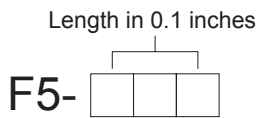
Post Assembly with Foot Plate, End Plate, T-Nuts, and 2 Cleats



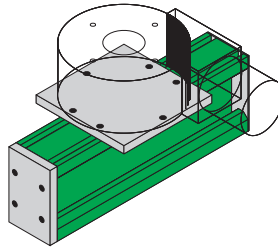
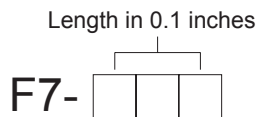
Typical Post Application



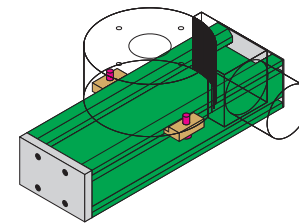
Post Assembly with Universal Mounting Plate



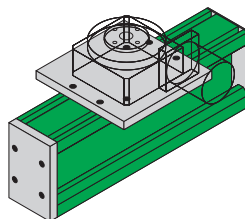
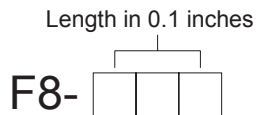
Post Assembly with 4800 Rotary Table Attachment Plate



Alternative: 4800 Rotary on F6 Post with MC-1 Cleats



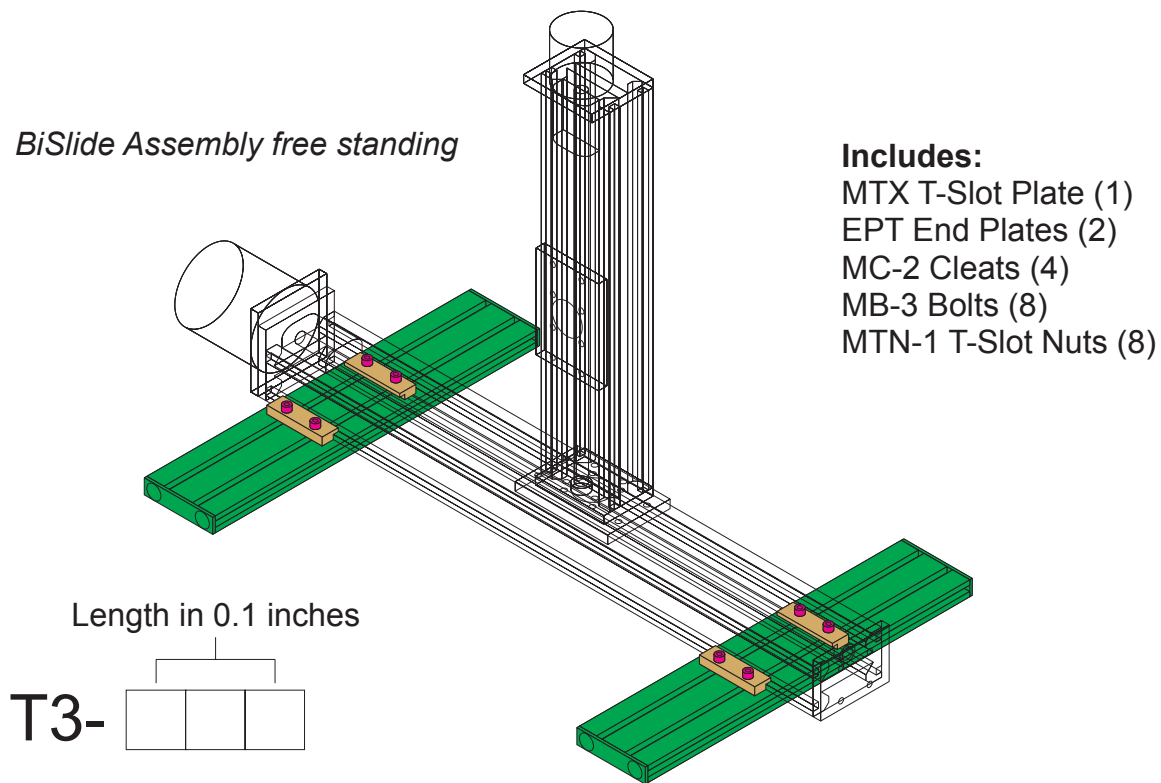
Post Assembly with 5990 Rotary Table Attachment Plate



T3 Support Rails

The T3 Support Rails can be used for stabilizing free standing systems, or as an adjustable interface connection between a BiSlide assembly and a frame member.

BiSlide Assembly free standing



- Includes:**
 MTX T-Slot Plate (1)
 EPT End Plates (2)
 MC-2 Cleats (4)
 MB-3 Bolts (8)
 MTN-1 T-Slot Nuts (8)

NOTE: Minimum of 2 required (as shown)
 Additional Cleats, Bolts, Nuts needed to attach Rails to Frame or Surfaces

BiSlide Assembly on Frame (MSX)

