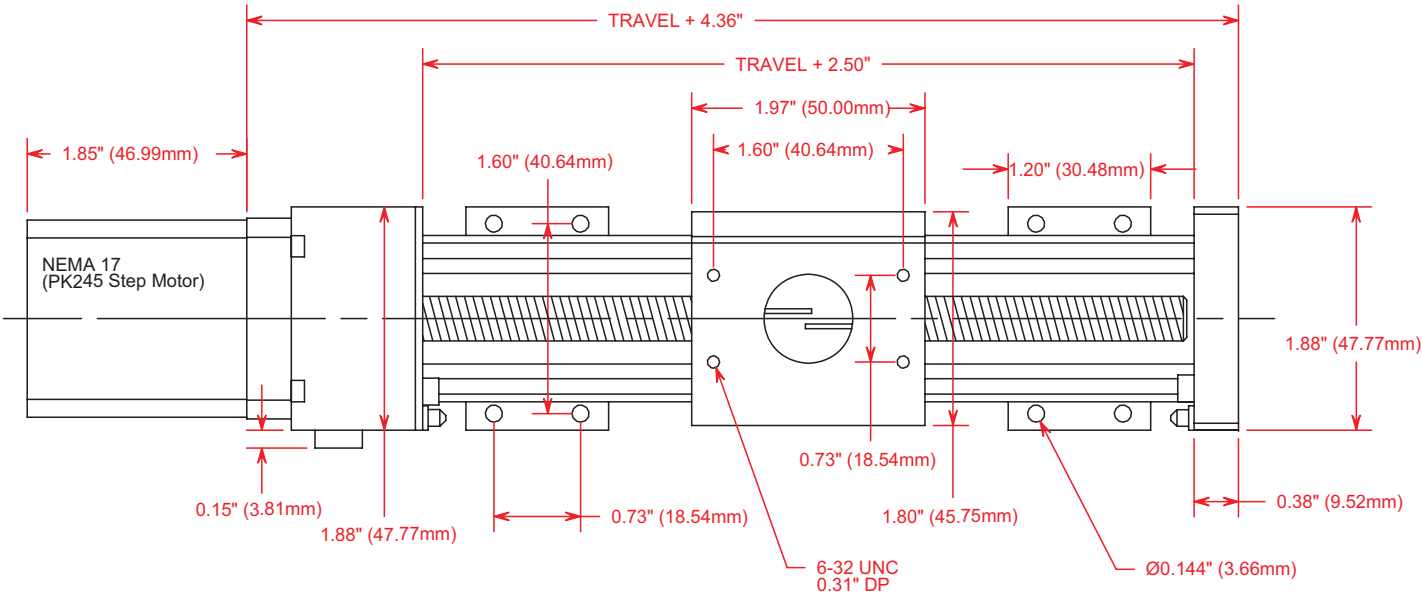


DIMENSIONAL DRAWINGS



Cleat Attachment

Travel	# Cleats*
2"	4
4"	4
6"	4
8"	6
12"	6
18"	6
24"	8
30"	10

* For typical applications.
2 Cleats minimum.
Use more for higher rigidity

Shown with optional Motors and Cleats

