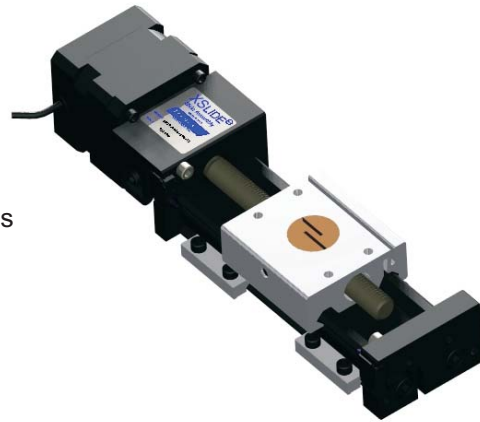


**FEATURES**

- 48mm x 31mm Cross Section
- Low Cost
- High Precision
- Smooth PTFE Bearings
- Directly Combinable for Multi-Axis
- Impact Tolerant
- Corrosion Resistant
- Long Life Anodized Ways
- Integrated Limit Switches
- 7 Lead Screw Pitches
- NEMA 17 or 23 Motor Mounting



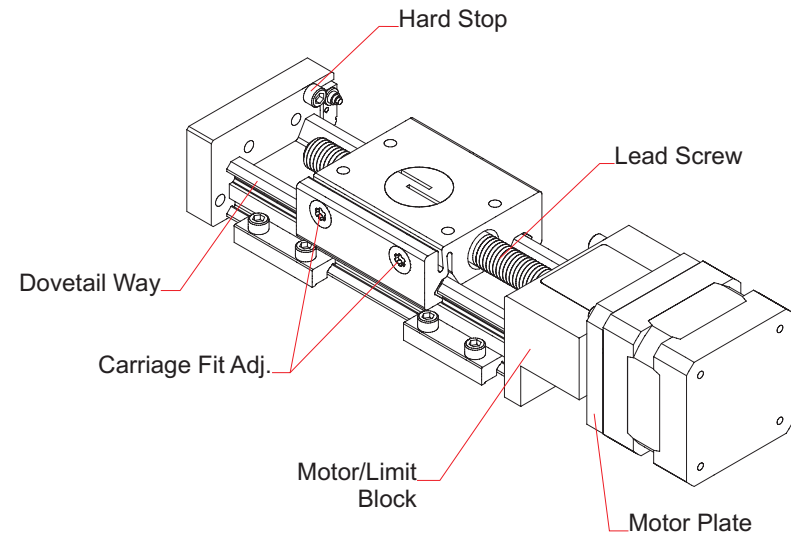
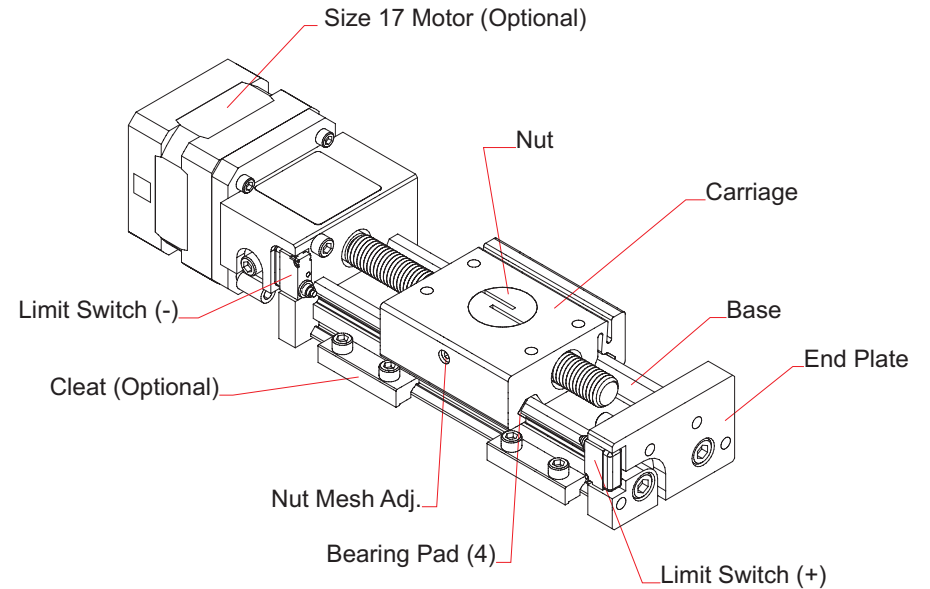
**DESCRIPTION**

The XSlide™ slide assembly is a new compact positioning slide with high capability and more standard features.

The design is based on the Velmex BiSlide® assembly for smaller loads. Borrowed from the BiSlide design are the dovetail ways, cleat mounting, and the aluminum/steel/polymer bearing construction.

The 45 degree opposing dovetail ways on both the BiSlide and XSlide assemblies provide the highest rigidity for their size compared to other dovetail designs.

The XSlide has two unique adjustment features not previously available. Both the carriage fit and the leadscrew/nut mesh adjustments are accessible from the sides. All fine tuning/wear compensation can be easily accomplished without removing a payload from the carriage.



### SPECIFICATIONS

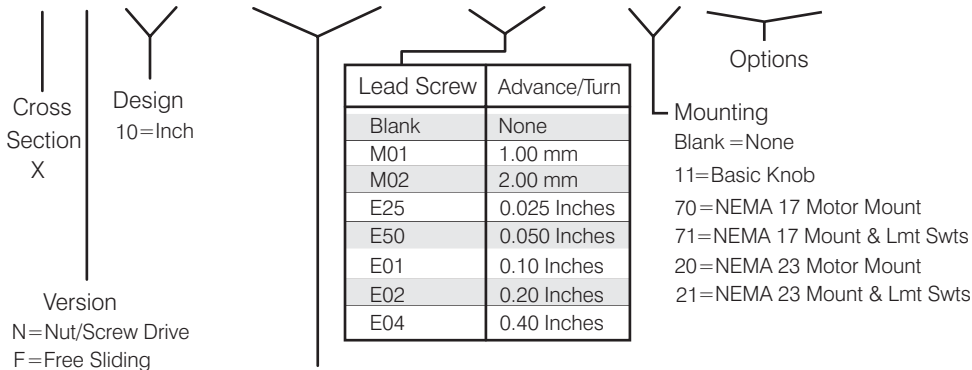
Coefficient of Sliding Friction: 0.09  
 Cantilevered Loads: Equivalent center load= (dxF) +F  
 d= distance from center (inches)  
 F= Load (lbs)  
 Minimum Motor Torque required: 25 in-oz  
 Repeatability (short term): 0.0001" (0.0025mm)  
 Straight Line Accuracy: 0.001"/ 10" (0.025mm/25cm)  
 Screw Lead Accuracy: 0.003"/10" (0.076mm/25cm)  
 Optional 0.0015"/10" available  
 Operating Temperature: 0 to 180° F (-18 to 82° C)  
 (Optional materials for wider temperature ranges available)

### Materials

Base, Carriage, Cleats, Ends: Hard alloy aluminum  
 Lead Screw: Nickel plated Steel or 303 SS  
 Lead Screw Nut: Delrin AF  
 Lead Screw Coupling: Steel

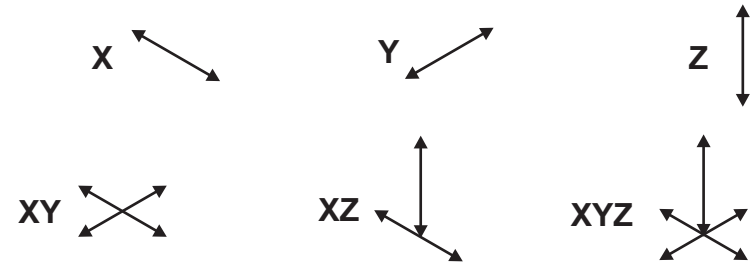
### ORDERING INFORMATION

**X N 1 0 - 0 0 4 0 - E 0 1 - 7 1**



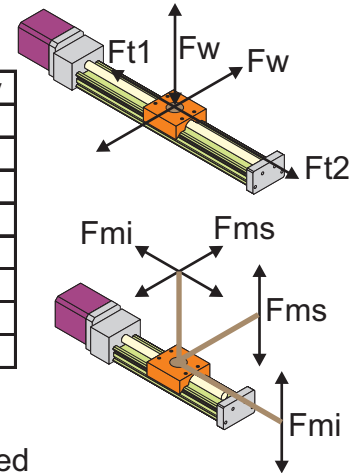
Design Travel (Tenths of Inches)  
 Standard travel lengths (Inches):  
 2,4,6,8,12,18,24,30  
 Other travels available: Screw Drive to 60", Free Sliding to 120"

### APPLICATIONS

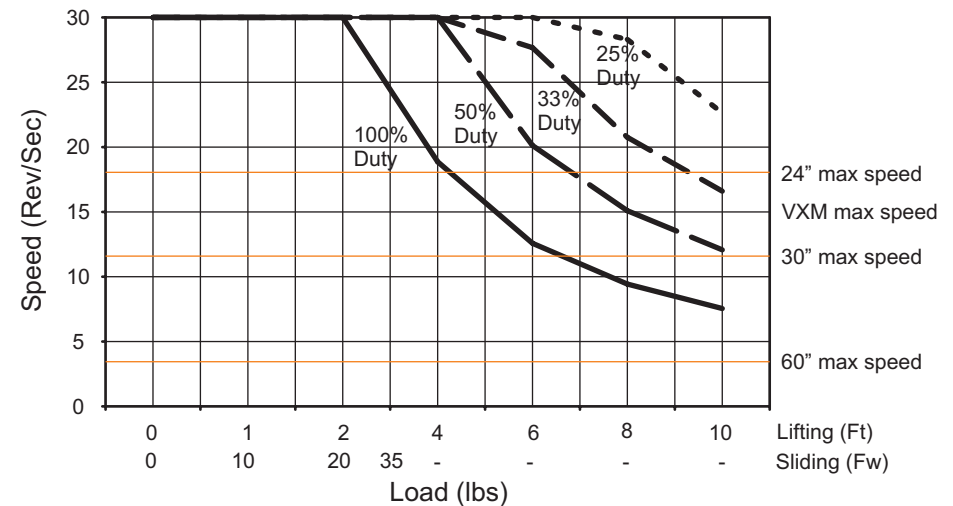


### MAXIMUM RATINGS

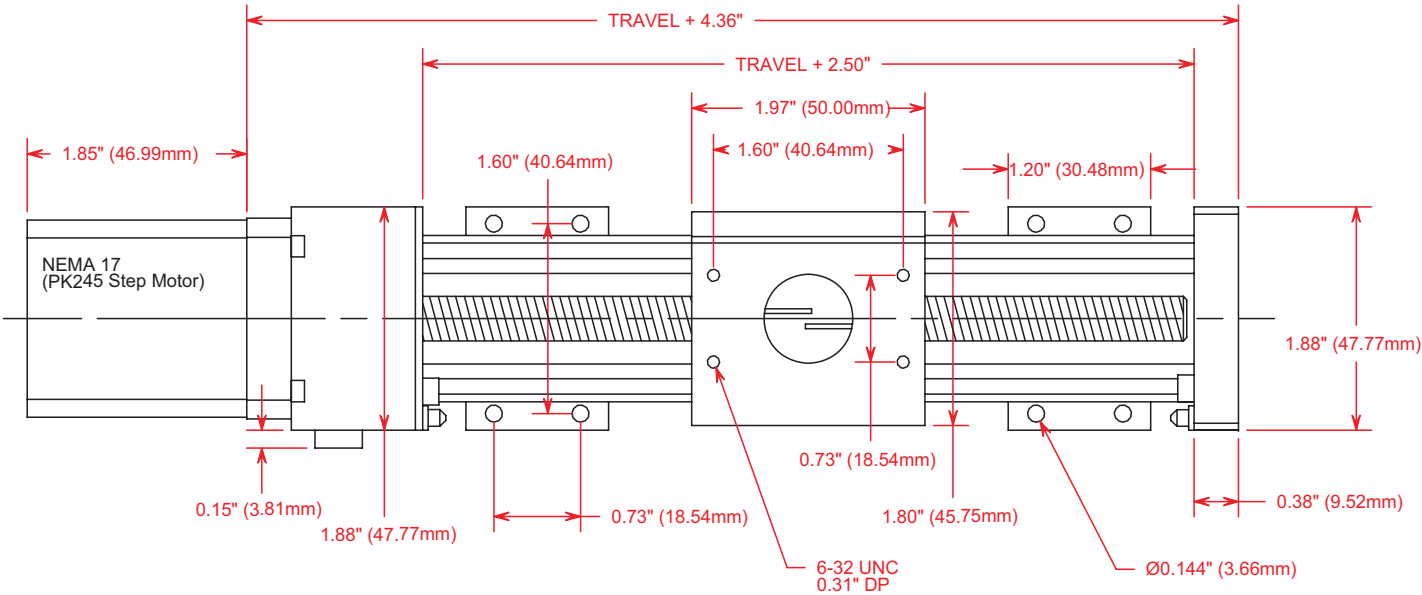
Load	Dynamic		Static		Momentary	
	lb	kg	lb	kg	lb	kg
<b>Fw</b>	35	15.9	35	15.9	140	63.6
<b>Ft1</b>	10	4.5	20	9.1	120	54.5
<b>Ft2</b>	10	4.5	20	9.1	40	18.2
	in-lbs	N-m	in-lbs	N-m	in-lbs	N-m
<b>Fms</b>	32	3.6	65	7.3	125	14.0
<b>Fmi</b>	22	2.5	45	5.0	88	9.9



Maximum Load / Speed  
 at 72° F Ambient



**DIMENSIONAL DRAWINGS**

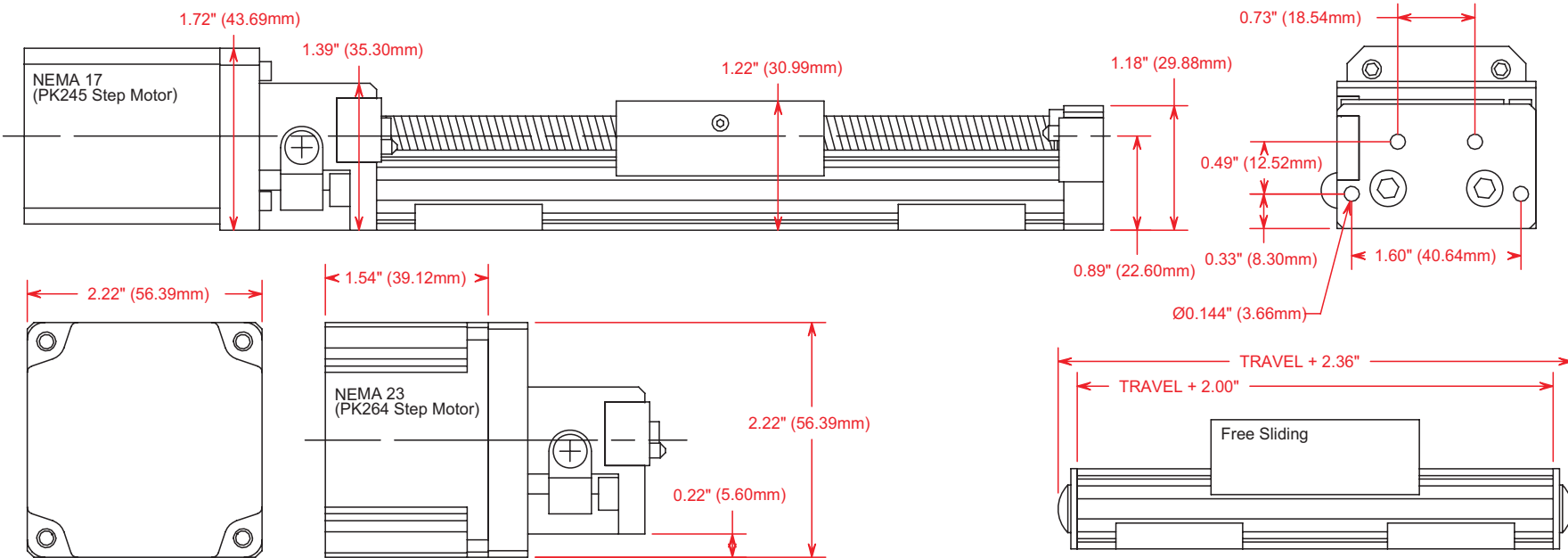


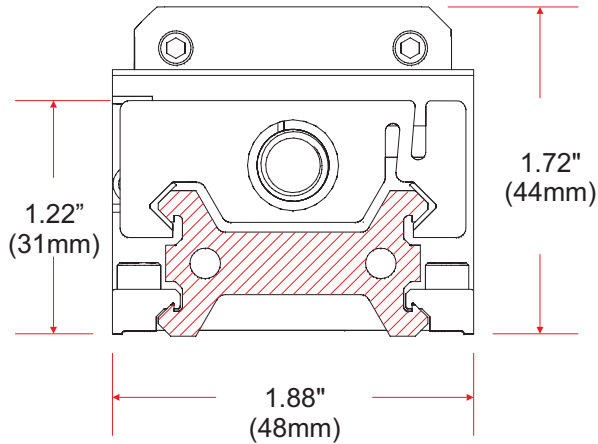
**Cleat Attachment**

Travel	# Cleats*
2"	4
4"	4
6"	4
8"	6
12"	6
18"	6
24"	8
30"	10

\* For typical applications.  
2 Cleats minimum.  
Use more for higher rigidity

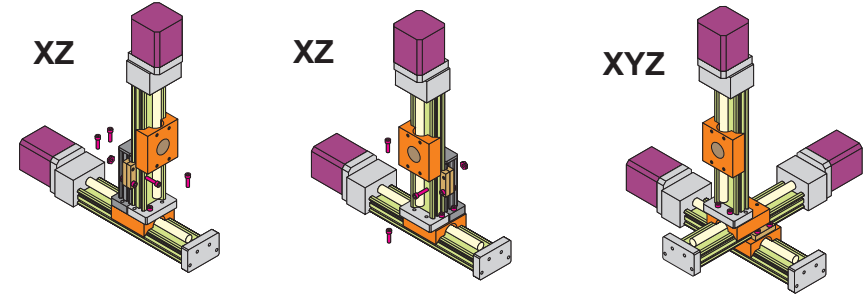
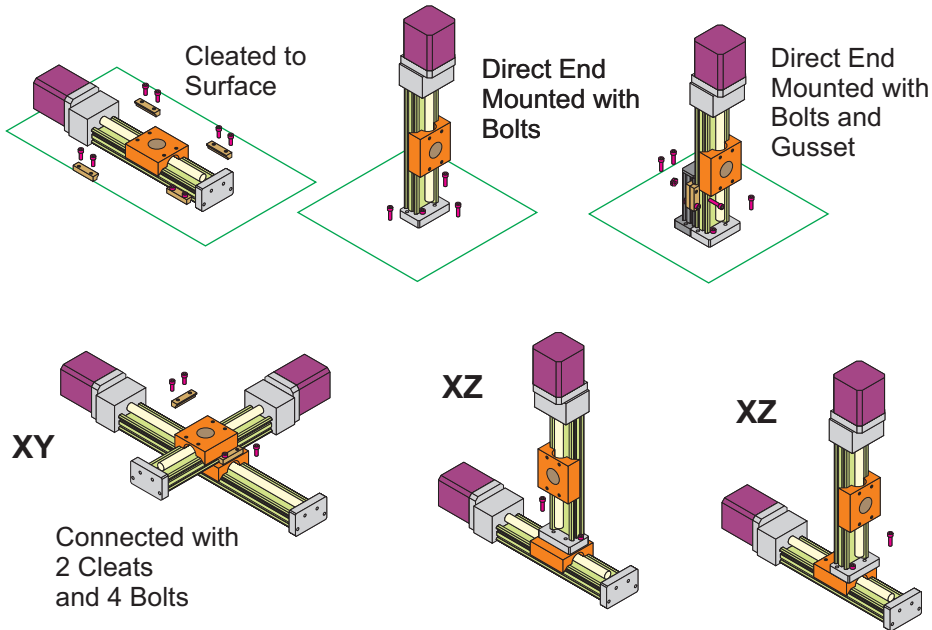
**Shown with optional Motors and Cleats**








Actual size XSlide cross section with size 17 motor

**CONFIGURATIONS**



**ACCESSORIES**

- Cleats**  Cleats are used to mount the XSlide assembly to a surface and to configure two XSlides in XY. One pair of cleats has 190 lbs of holding capability. Use in pairs only.
- Bolts**  6-32 x 3/8" long socket head cap are used for Cleats.  
6-32 x 1/2" long socket head cap are for end mounting.
- Gusset**  The Gusset provides higher rigidity when end mounting. Cleats with fasteners are included.

**WARRANTY**

XSlide Assembly products sold by Velmex are warranted to be free from defects for a period of **5 (five) years** on all parts. Velmex's obligation under this warranty does not apply to defects due, directly or indirectly, to misuse, abuse, negligence, accidents, or unauthorized repairs, alterations, or lack of maintenance; or to items that would normally be consumed or require replacement due to normal wear. Claims must be authorized, and a return authorization number issued before a product can be returned. The warranty does not cover items which are not manufactured or constructed by Velmex, Inc. These components are warranted by their respective manufacturer. Under the above warranty, Velmex will, at its option, either repair or replace a nonconforming or defective product.

**CONTACT INFORMATION**

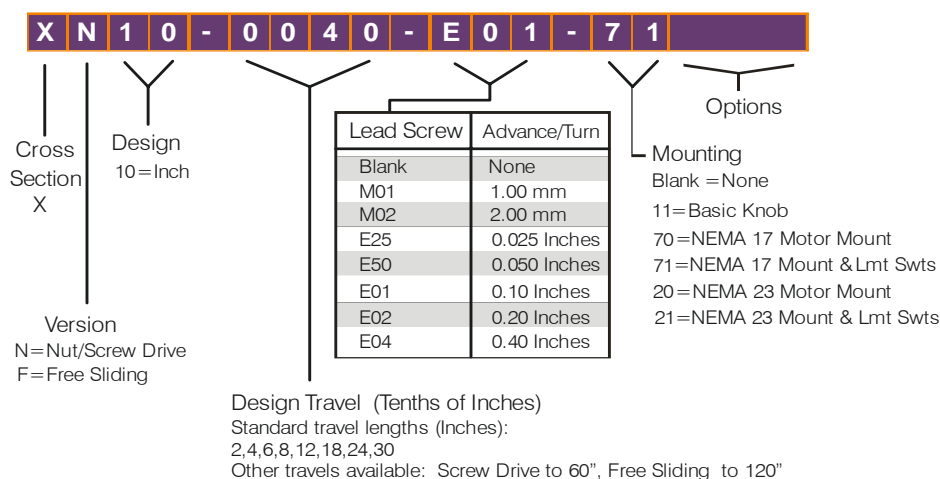
By Phone: 585-657-6151 and 800-642-6446  
 By Fax: 585-657-6153  
 On the Internet: [www.velmex.com](http://www.velmex.com) and [www.bislide.com](http://www.bislide.com)  
 By mail: Velmex, Inc.  
 7550 State Route 5 & 20  
 Bloomfield, NY 14469 USA

# XSLIDE™ Assembly Price List X-06



Call: 1-800-642-6446

July 1, 2006



xxx=Lead Screw (M01,M02,E25,E50,E01,E02,E04)

Motor* Driven Screw Drive Models		Travel		Price	Weight	
Inch Design, Motor Coupling, Limit Switches		in	cm		lbs	kg
17 Motor Mount*	23 Motor Mount*				(-71 Models)	
XN10-0020-xxx-71	XN10-0020-xxx-21	2	5.1	\$410	0.99	0.45
XN10-0040-xxx-71	XN10-0040-xxx-21	4	10.2	\$422	1.15	0.52
XN10-0060-xxx-71	XN10-0060-xxx-21	6	15.2	\$438	1.31	0.60
XN10-0080-xxx-71	XN10-0080-xxx-21	8	20.3	\$517	1.47	0.67
XN10-0120-xxx-71	XN10-0120-xxx-21	12	30.5	\$557	1.79	0.81
XN10-0180-xxx-71	XN10-0180-xxx-21	18	45.7	\$629	2.26	1.03
XN10-0240-xxx-71	XN10-0240-xxx-21	24	61.0	\$713	2.74	1.25
XN10-0300-xxx-71	XN10-0300-xxx-21	30	76.2	\$809	3.22	1.46

For -70 or -20 Models (No Limit Switches) subtract \$16.00

\* Motor sold separately

Free Sliding Models		Travel		Price	Weight	
Inch Design	Overall Length	in	cm		lbs	kg
XF10-0020	4.86 in	2.5	6.4	\$156	0.26	0.12
XF10-0040	6.86 in	4.5	11.4	\$160	0.36	0.16
XF10-0060	8.86 in	6.5	16.5	\$166	0.47	0.21
XF10-0080	10.86 in	8.5	21.6	\$196	0.57	0.26
XF10-0120	14.86 in	12.5	31.8	\$212	0.78	0.35
XF10-0180	20.86 in	18.5	47.0	\$239	1.09	0.50
XF10-0240	26.86 in	24.5	62.2	\$271	1.41	0.64
XF10-0300	32.86 in	30.5	77.5	\$307	1.72	0.78

Common Accessories	Part #	Price	oz	g
Mounting Cleat Standard 2 Hole	XMC-2	\$2.90	0.10	2.8
6-32x3/8 SktHd Cap Bolts (each)	XMB-1	\$0.39	0.04	1.0

Options		Price	oz	g
Home Switch Magnetic Reed (NO & NC unwired)	XSW-M	\$60.00	0.20	5.7
Extra Carriage (Without Nut)	XBCF	\$98.00	2.64	74.8
Extra Carriage (With Nut)	XBCN-xxx	\$145.00	2.60	73.7

End Mounting		Price	oz	g
6-32x1/2 SktHd Cap Bolts (each)	XMB-2	\$0.42	0.04	1.1
Gusset 2.5" (includes cleats and fasteners)	XGST-1	\$86.00	4.20	119.1

Call: 1-800-642-6446

www.velmex.com

XSlide is a trademark of Velmex, Inc.