



"Positioning Systems for Science and Industry"

Velmex Product List

	<u>Page No.</u>		<u>Page No.</u>
Manual Products		Motor-Driven Products	
Manual UniSlide® Products	2	Motor-Driven UniSlide® Products	26
A15 Series	3	MA15 Series	27
A25 Series	5	MA25 Series	28
A40 Series	8	MA40 Series	29
A60 Series	11	MA60 Series	30
B90 Series	13	MB90 Series	31
UniSlide® XY Tables	15	Motor-Ready UniSlide® XY Tables	33
UniSlide® Elevating Tables	16	Adapter Pates and Brackets for Motor-Driven	
UniSlide® TA Measuring System	17	UniSlide®	35
UniSlide® Options for Linear Slides	18	Velmex Encoders	36
XY and XZ Adapters for UniSlide®	19	VRO™ Encoder Readout	38
Manual BiSlide®		Limits – AC Motors	39
BiSlide® Assemblies	20	DC Stepper Motors	40
Side Knob BiSlides®	21	Stepper Motor Controls and Accessories	42
Parallel Coupled BiSlides®	22	Motor-Driven BiSlide® Products	44
Manual BiSlide® Accessories	22	BiSlide® Assemblies	45
Manual XSlide™		Belt-Driven BiSlide®	46
XSlide™ Assemblies	23	Tandem BiSlide	46
Manual XSlide™ Accessories	24	Motor-Driven BiSlide® Accessories	47
Manual Rotating Tables		Motor-Driven BiSlide® Options	48
Velmex Rotary Tables	25	Motor-Driven XSlide™ Products	
Velmex Turntables	25	XSlide™ Assemblies	49
Rotary Encoders	25	Motor-Driven XSlide™ Accessories	50
		Motor-Ready Rotating Tables	
		Motor-Ready Velmex Rotary Tables	51
		Velmex Rotary Encoders	52

Please call 1-800-642-6446 or +1-585-657-6151 for parts or component pricing.
Please also call for custom configurations and sizes.

Velmex, Inc.
7550 State Route 5 & 20
Bloomfield, NY 14469

Velmex accepts:
 Mastercard, VISA



UniSlide®, BiSlide®, XSlide™, VX™, VRO™ are trademarks of Velmex, Inc.
 ©Copyright 2014 0115 Rev D

"Positioning Systems for Science and Industry"

MANUAL VELMEX PRODUCTS

Velmex manual products include:

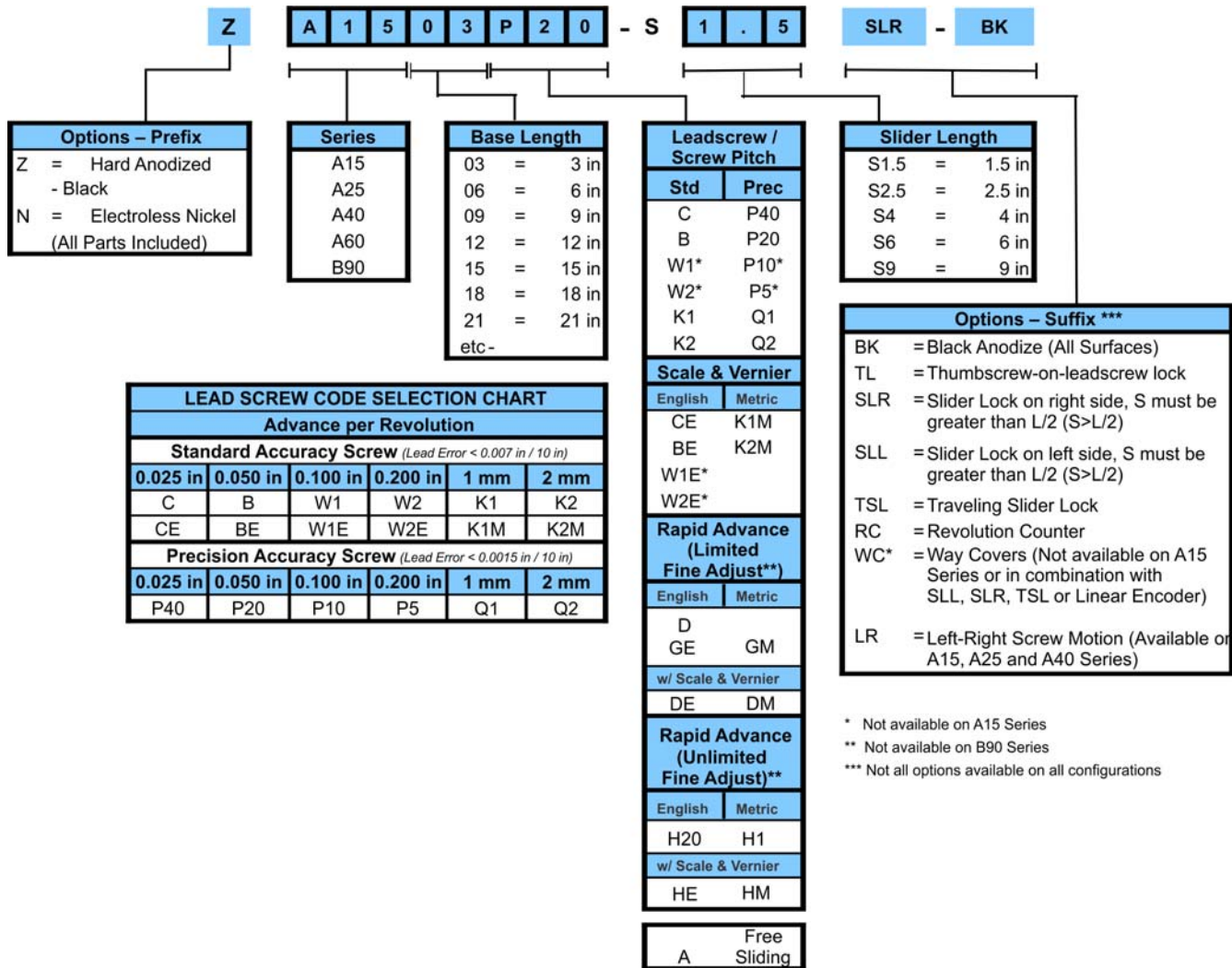
- UniSlide® linear assemblies – A15, A25, A40, A60 and B90 Series
- UniSlide® XY Tables – AXY25, AXY40 and AXY60 Series
- UniSlide® Elevating Tables – B29, B49, B69 and A39 Series
- UniSlide® TA Measuring Systems
- Velmex Rotary Tables
- Velmex Turntables
- BiSlide® Assemblies – MN10 Series
- Side Knob BiSlides® - MN10 Series
- Parallel Coupled BiSlides®
- XSlide® Assemblies – XF10 Series, XN10 Series

Accessories and options include XY and XZ adapters and VRO™ Encoder Readout.

Manual UniSlide® Assemblies

Velmex UniSlide Assemblies deliver precise, versatile movement in one, two or three dimensions with linear or rotational motion. An impressive array of standard configurations are available to meet a multitude of applications. UniSlide positioning systems also can be easily customized to fulfill exacting requirements.

UniSlide® Assembly Part No. Definition



* Not available on A15 Series
 ** Not available on B90 Series
 *** Not all options available on all configurations



"Positioning Systems for Science and Industry"

UniSlide® Manual Series A15

UniSlide® Manual Series A15 with standard 1.5" length slider

Read down for travel, across for desired lead screw and price. Call Velmex for longer units.

A15 Free Sliding Models

Travel Inches	Item Number	Base Length	Weight	
			lbs.	kg
1.5"	A1503A-S1.5	3"	0.31	0.14
4.5"	A1506A-S1.5	6"	0.44	0.2
7.5"	A1509A-S1.5	9"	0.63	0.28
10.5"	A1512A-S1.5	12"	0.81	0.37
13.5"	A1515A-S1.5	15"	1	0.45
16.5"	A1518A-S1.5	18"	1.2	0.54
19.5"	A1521A-S1.5	21"	1.44	0.65
22.5"	A1524A-S1.5	24"	1.63	0.74
25.5"	A1527A-S1.5	27"	1.82	0.83

A15 Screw Drive Models

Travel Inches	Lead Screw Pitch				Base Length	Weight	
	40 turns inch	20 turns inch	10 turns cm.	5 turns cm.		lbs.	kg
1.5"	A1503C-S1.5	A1503B-S1.5	A1503K1-S1.5	A1503K2-S1.5	3"	0.5	0.23
4.5"	A1506C-S1.5	A1506B-S1.5	A1506K1-S1.5	A1506K2-S1.5	6"	0.5	0.23
7.5"	A1509C-S1.5	A1509B-S1.5	A1509K1-S1.5	A1509K2-S1.5	9"	0.75	0.34
10.5"	A1512C-S1.5	A1512B-S1.5	A1512K1-S1.5	A1512K2-S1.5	12"	1	0.45
13.5"	A1515C-S1.5	A1515B-S1.5	A1515K1-S1.5	A1515K2-S1.5	15"	1.25	0.57

A15 Graduated Knob Models

Travel Inches					Base Length	Weight	
	40 turns inch	20 turns inch	10 turns cm.	5 turns cm.		lbs.	kg
1.5"	A1503P40-S1.5	A1503P20-S1.5	A1503Q1-S1.5	A1503Q2-S1.5	3"	0.5	0.23
4.5"	A1506P40-S1.5	A1506P20-S1.5	A1506Q1-S1.5	A1506Q2-S1.5	6"	0.5	0.23
7.5"	A1509P40-S1.5	A1509P20-S1.5	A1509Q1-S1.5	A1509Q2-S1.5	9"	0.75	0.34
10.5"	A1512P40-S1.5	A1512P20-S1.5	A1512Q1-S1.5	A1512Q2-S1.5	12"	1	0.45

A15 Scale and Vernier Screw Drive Models

Travel Inches					Base Length	Weight	
	40 turns inch	20 turns inch	10 turns cm.	5 turns cm.		lbs.	kg
1.5"	A1503CE-S1.5	A1503BE-S1.5	A1503K1M-S1.5	A1503K2M-S1.5	3"	0.5	0.23
4.5"	A1506CE-S1.5	A1506BE-S1.5	A1506K1M-S1.5	A1506K2M-S1.5	6"	0.5	0.23
7.5"	A1509CE-S1.5	A1509BE-S1.5	A1509K1M-S1.5	A1509K2M-S1.5	9"	0.75	0.34
10.5"	A1512CE-S1.5	A1512BE-S1.5	A1512K1M-S1.5	A1512K2M-S1.5	12"	1	0.45

A15 Rapid Advance Model D, DE/DM with Scale and Vernier and GE/GM with Micrometer, all with limited fine adjust

Travel Inches	Model D	Base Length	Weight	
			lbs.	kg
1.5"	A1503D-S1.5	3"	0.5	0.23
4.5"	A1506D-S1.5	6"	0.5	0.23
7.5"	A1509D-S1.5	9"	0.75	0.34
10.5"	A1512D-S1.5	12"	1	0.45

with Scale and Vernier

Travel Inches	Model DE	Model DM	Base Length	Weight	
				lbs.	kg
1.5"	A1503DE-S1.5	A1503DM-S1.5	3"	0.5	0.23
4.5"	A1506DE-S1.5	A1506DM-S1.5	6"	0.5	0.23
7.5"	A1509DE-S1.5	A1509DM-S1.5	9"	0.75	0.34
10.5"	A1512DE-S1.5	A1512DM-S1.5	12"	1	0.45



"Positioning Systems for Science and Industry"

UniSlide® Manual Series A15

A15 Rapid Advance Model D, DE/DM with Scale and Vernier and GE/GM with Micrometer, all with limited fine adjust

with Micrometer Head

Travel Inches	Model		Base Length	Weight	
	GE	GM		lbs.	kg
1.5"	A1503GE-S1.5	A1503GM-S1.5	3"	0.5	0.23
4.5"	A1506GE-S1.5	A1506GM-S1.5	6"	0.75	0.34
7.5"	A1509GE-S1.5	A1509GM-S1.5	9"	1	0.45
10.5"	A1512GE-S1.5	A1512GM-S1.5	12"		

A15 Left-Right Screw Motion UniSlides

Slider Separation	40 turns	20 turns	Base length L	Weight	
	inch	inch		lbs.	kg
3	A1506C-S1.5-LR	A1506B-S1.5-LR	6"	0.5	0.23
6	A1509C-S1.5-LR	A1509B-S1.5-LR	9"	0.75	0.34
9	A1512C-S1.5-LR	A1512B-S1.5-LR	12"	1	0.45
12	A1515C-S1.5-LR	A1515B-S1.5-LR	15"	1.25	0.57
15	A1518C-S1.5-LR	A1518B-S1.5-LR	18"	1.5	0.68



"Positioning Systems for Science and Industry"

UniSlide® Manual Series A25

UniSlide® Manual Series A25 with standard 2.5" long slider

Read down for travel, across for desired lead screw and price. Call Velmex for longer units.

A25 Free Sliding Models

Travel Inches	Item Number	Base Length	Weight	
			lbs.	kg
1.5"	A2504A-S2.5	4"	1	0.45
3.5"	A2506A-S2.5	6"	1	0.45
6.5"	A2509A-S2.5	9"	1.7	0.77
9.5"	A2512A-S2.5	12"	2.1	0.94
12.5"	A2515A-S2.5	15"	2.44	1.11
15.5"	A2518A-S2.5	18"	2.78	1.26
18.5"	A2521A-S2.5	21"	3	1.36
21.5"	A2524A-S2.5	24"	3.34	1.51
24.5"	A2527A-S2.5	27"	3.68	1.67

A25 Screw Drive Models

Travel Inches	Lead Screw Pitch					Base Length	Weight	
	40 turns inch	20 turns inch	10 turns inch	10 turns cm.	5 turns cm.		lbs.	kg
1.5"	A2504C-S2.5	A2504B-S2.5		A2504K1-S2.5	A2504K2-S2.5	4"	1	0.45
3.5"	A2506C-S2.5	A2506B-S2.5		A2506K1-S2.5	A2506K2-S2.5	6"	1	0.45
6.5"	A2509C-S2.5	A2509B-S2.5		A2509K1-S2.5	A2509K2-S2.5	9"	1.7	0.77
9.5"	A2512C-S2.5	A2512B-S2.5		A2512K1-S2.5	A2512K2-S2.5	12"	2.1	0.94

12.5" to 24.5" see the next block of Model Numbers.

Travel Inches	Lead Screw Pitch					Base Length	Weight	
	40 turns inch	20 turns inch	10 turns inch	10 turns cm.	5 turns cm.		lbs.	kg
1.5"			A2504W1-S2.5			4"	1	0.45
3.5"			A2506W1-S2.5			6"	1	0.45
6.5"			A2509W1-S2.5			9"	1.7	0.77
9.5"			A2512W1-S2.5			12"	2.1	0.94
12.5"	A2515C-S2.5	A2515B-S2.5	A2515W1-S2.5	A2515K1-S2.5	A2515K2-S2.5	15"	2.44	1.11
15.5"	A2518C-S2.5	A2518B-S2.5	A2518W1-S2.5	A2518K1-S2.5	A2518K2-S2.5	18"	2.78	1.26
18.5"	A2521C-S2.5	A2521B-S2.5	A2521W1-S2.5	A2521K1-S2.5	A2521K2-S2.5	21"	3	1.36
21.5"	A2524C-S2.5	A2524B-S2.5	A2524W1-S2.5	A2524K1-S2.5	A2524K2-S2.5	24"	3.34	1.51
24.5"	A2527C-S2.5	A2527B-S2.5	A2527W1-S2.5	A2527K1-S2.5	A2527K2-S2.5	27"	3.68	1.67



"Positioning Systems for Science and Industry"

UniSlide® Manual Series A25

A25 Graduated Knob Models

Travel Inches	40 turns inch	20 turns inch	10 turns inch	10 turns cm.	5 turns cm.	Base Length	Weight lbs. kg	
1.5"	A2504P40-S2.5	A2504P20-S2.5		A2504Q1-S2.5	A2504Q2-S2.5	4"	1	0.45
3.5"	A2506P40-S2.5	A2506P20-S2.5		A2506Q1-S2.5	A2506Q2-S2.5	6"	1	0.45
6.5"	A2509P40-S2.5	A2509P20-S2.5		A2509Q1-S2.5	A2509Q2-S2.5	9"	1.7	0.77
9.5"	A2512P40-S2.5	A2512P20-S2.5		A2512Q1-S2.5	A2512Q2-S2.5	12"	2.1	0.94

1.5"			A2504P10-S2.5			4"	1	0.45
3.5"			A2506P10-S2.5			6"	1	0.45
6.5"			A2509P10-S2.5			9"	1.7	0.77
9.5"			A2512P10-S2.5			12"	2.1	0.94

A25 Scale and Vernier Screw Drive Models

Travel Inches	40 turns inch	20 turns inch	10 turns inch	10 turns cm.	5 turns cm.	Base Length	Weight lbs. kg	
1.5"	A2504CE-S2.5	A2504BE-S2.5		A2504K1M-S2.5	A2504K2M-S2.5	4"	1	0.45
3.5"	A2506CE-S2.5	A2506BE-S2.5		A2506K1M-S2.5	A2506K2M-S2.5	6"	1	0.45
6.5"	A2509CE-S2.5	A2509BE-S2.5		A2509K1M-S2.5	A2509K2M-S2.5	9"	1.7	0.77
9.5"	A2512CE-S2.5	A2512BE-S2.5		A2512K1M-S2.5	A2512K2M-S2.5	12"	2.1	0.94
12.5"	A2515CE-S2.5	A2515BE-S2.5		A2515K1M-S2.5	A2515K2M-S2.5	15"	2.44	1.11

1.5"			A2504W1E-S2.5			4"	1	0.45
3.5"			A2506W1E-S2.5			6"	1	0.45
6.5"			A2509W1E-S2.5			9"	1.7	0.77
9.5"			A2512W1E-S2.5			12"	2.1	0.94
12.5"			A2515W1E-S2.5			15"	2.44	1.11

A25 Rapid Advance Model D, DE/DM with Scale and Vernier and GE/GM with Micrometer, all with limited fine adjust

Travel Inches	Model D	Base Length	Weight lbs. kg	
1.5"	A2504D-S2.5	4"	1	0.45
3.5"	A2506D-S2.5	6"	1	0.45
6.5"	A2509D-S2.5	9"	1.7	0.77
9.5"	A2512D-S2.5	12"	2.1	0.94

with Scale and Vernier – limited fine adjust

Travel Inches	Model DE	Model DM	Base Length	Weight lbs. kg	
1.5"	A2504DE-S2.5	A2504DM-S2.5	4"	1	0.45
3.5"	A2506DE-S2.5	A2506DM-S2.5	6"	1	0.45
6.5"	A2509DE-S2.5	A2509DM-S2.5	9"	1.7	0.77
9.5"	A2512DE-S2.5	A2512DM-S2.5	12"	2.1	0.94



"Positioning Systems for Science and Industry"

UniSlide® Manual Series A25

with Micrometer Head – limited fine adjust

Travel Inches	Model	Model	Base Length	Weight	
	GE	GM		lbs.	kg
1.5"	A2504GE-S2.5	A2504GM-S2.5	4"	1	0.45
3.5"	A2506GE-S2.5	A2506GM-S2.5	6"	1	0.45
6.5"	A2509GE-S2.5	A2509GM-S2.5	9"	1.7	0.77
9.5"	A2512GE-S2.5	A2512GM-S2.5	12"	2.1	0.94

A25 Full Travel, Unlimited Fine Adjust UniSlide Assemblies Model H

Rapid Advance

Travel Inches	Model	Model	Base Length	Weight	
	H20	H1		lbs.	kg
1.5"	A2504H20-S2.5	A2504H1-S2.5	4"	1	0.45
3.5"	A2506H20-S2.5	A2506H1-S2.5	6"	1	0.45
6.5"	A2509H20-S2.5	A2509H1-S2.5	9"	1.7	0.77
9.5"	A2512H20-S2.5	A2512H1-S2.5	12"	2.1	0.94
12.5"	A2515H20-S2.5	A2515H1-S2.5	15"	2.44	1.11

Rapid Advance with Scale and Vernier – unlimited fine adjust

Travel Inches	Model	Model	Base Length	Weight	
	HE	HM		lbs.	kg
1.5"	A2504HE-S2.5	A2504HM-S2.5	4"	1	0.45
3.5"	A2506HE-S2.5	A2506HM-S2.5	6"	1	0.45
6.5"	A2509HE-S2.5	A2509HM-S2.5	9"	1.7	0.77
9.5"	A2512HE-S2.5	A2512HM-S2.5	12"	2.1	0.94

A25 Left-Right Screw Motion UniSlides

Slider Separation	40 turns		20 turns		Base Length	Weight	
	inch		Price			lbs.	kg
1"		A2506C-S2.5-LR	A2506B-S2.5-LR		6"	1	0.45
4"		A2509C-S2.5-LR	A2509B-S2.5-LR		9"	1.7	0.77
7"		A2512C-S2.5-LR	A2512B-S2.5-LR		12"	2.1	0.94
10"		A2515C-S2.5-LR	A2515B-S2.5-LR		15"	2.44	1.11
13"		A2518C-S2.5-LR	A2518B-S2.5-LR		18"	2.44	1.11



"Positioning Systems for Science and Industry"

UniSlide® Manual Series A40

UniSlide® Manual Series A40 with standard 4" long slider

Read down for travel, across for desired lead screw and price. Call Velmex for longer units.

A40 Free Sliding Models

Travel Inches	Item Number	Base Length	Weight lbs.	Weight kg
2"	A4006A-S4	6"	2.4	1.1
5"	A4009A-S4	9"	3	1.36
8"	A4012A-S4	12"	3.75	1.7
11"	A4015A-S4	15"	4.5	2.04
14"	A4018A-S4	18"	5.25	2.81
17"	A4021A-S4	21"	6	2.72
20"	A4024A-S4	24"	6.75	3.06
23"	A4027A-S4	27"	7.5	3.54
26"	A4030A-S4	30"	8.25	3.74
29"	A4033A-S4	33"	9	4.08
32"	A4036A-S4	36"	9.75	4.42
35"	A4039A-S4	39"	10.25	4.65
38"	A4042A-S4	42"	11	5

A40 Screw Drive Models

Travel Inches	Lead Screw Pitch						Base Length	Weight lbs.	Weight kg
	40 turns inch	20 turns inch	10 turns inch	5 turns inch	10 turns cm.	5 turns cm.			
2"	A4006C-S4	A4006B-S4	A4006W1-S4	A4006W2-S4	A4006K1-S4	A4006K2-S4	6"	2.4	1.1
5"	A4009C-S4	A4009B-S4	A4009W1-S4	A4009W2-S4	A4009K1-S4	A4009K2-S4	9"	3	1.36
8"	A4012C-S4	A4012B-S4	A4012W1-S4	A4012W2-S4	A4012K1-S4	A4012K2-S4	12"	3.75	1.7
11"	A4015C-S4	A4015B-S4	A4015W1-S4	A4015W2-S4	A4015K1-S4	A4015K2-S4	15"	4.5	2.04
14"	A4018C-S4	A4018B-S4	A4018W1-S4	A4018W2-S4	A4018K1-S4	A4018K2-S4	18"	5.25	2.81
17"	A4021C-S4	A4021B-S4	A4021W1-S4	A4021W2-S4	A4021K1-S4	A4021K2-S4	21"	6	2.72
20"	A4024C-S4	A4024B-S4	A4024W1-S4	A4024W2-S4	A4024K1-S4	A4024K2-S4	24"	6.75	3.06
23"	A4027C-S4	A4027B-S4	A4027W1-S4	A4027W2-S4	A4027K1-S4	A4027K2-S4	27"	7.5	3.54
26"	A4030C-S4	A4030B-S4	A4030W1-S4	A4030W2-S4	A4030K1-S4	A4030K2-S4	30"	8.25	3.74
29"	A4033C-S4	A4033B-S4	A4033W1-S4	A4033W2-S4	A4033K1-S4	A4033K2-S4	33"	9	4.08
32"	A4036C-S4	A4036B-S4	A4036W1-S4	A4036W2-S4	A4036K1-S4	A4036K2-S4	36"	9.75	4.42
35"	A4039C-S4	A4039B-S4	A4039W1-S4	A4039W2-S4	A4039K1-S4	A4039K2-S4	39"	10.25	4.65
38"	A4042C-S4	A4042B-S4	A4042W1-S4	A4042W2-S4	A4042K1-S4	A4042K2-S4	42"	11	5

A40 Graduated Knob Models

Travel Inches	Lead Screw Pitch						Base Length	Weight lbs.	Weight kg
	40 turns inch	20 turns inch	10 turns inch	5 turns inch	10 turns cm.	5 turns cm.			
2"	A4006P40-S4	A4006P20-S4	A4006P10-S4	A4006P5-S4	A4006Q1-S4	A4006Q2-S4	6"	2.4	1.1
5"	A4009P40-S4	A4009P20-S4	A4009P10-S4	A4009P5-S4	A4009Q1-S4	A4009Q2-S4	9"	3	1.36
8"	A4012P40-S4	A4012P20-S4	A4012P10-S4	A4012P5-S4	A4012Q1-S4	A4012Q2-S4	12"	3.75	1.7
11"	A4015P40-S4	A4015P20-S4	A4015P10-S4	A4015P5-S4	A4015Q1-S4	A4015Q2-S4	15"	4.5	2.04
14"	A4018P40-S4	A4018P20-S4	A4018P10-S4	A4018P5-S4	A4018Q1-S4	A4018Q2-S4	18"	5.25	2.81
17"	A4021P40-S4	A4021P20-S4	A4021P10-S4	A4021P5-S4	A4021Q1-S4	A4021Q2-S4	21"	6	2.72



"Positioning Systems for Science and Industry"

UniSlide® Manual Series A40

A40 Scale and Vernier Models

Travel Inches	40 turns inch	20 turns inch	10 turns inch	5 turns inch	10 turns cm.	5 turns cm.	Base Length	Weight lbs.	kg
2"	A4006CE-S4	A4006BE-S4	A4006W1E-S4	A4006W2E-S4	A4006K1M-S4	A4006K2M-S4	6"	2.4	1.1
5"	A4009CE-S4	A4009BE-S4	A4009W1E-S4	A4009W2E-S4	A4009K1M-S4	A4009K2M-S4	9"	3	1.36
8"	A4012CE-S4	A4012BE-S4	A4012W1E-S4	A4012W2E-S4	A4012K1M-S4	A4012K2M-S4	12"	3.75	1.7
11"	A4015CE-S4	A4015BE-S4	A4015W1E-S4	A4015W2E-S4	A4015K1M-S4	A4015K2M-S4	15"	4.5	2.04
14"	A4018CE-S4	A4018BE-S4	A4018W1E-S4	A4018W2E-S4	A4018K1M-S4	A4018K2M-S4	18"	5.25	2.81

A40 Full Travel, Limited Travel Fine Adjust Model D, DE/DM and Model GE/GM

Travel Inches	Model D	Base Length	Weight lbs.	kg
2"	A4006D-S4	6"	2.4	1.1
5"	A4009D-S4	9"	3	1.36
8"	A4012D-S4	12"	3.75	1.7
11"	A4015D-S4	15"	4.5	2.04

with Scale and Vernier – limited fine adjust

Travel Inches	Model DE	Model DM	Base Length	Weight lbs.	kg
2"	A4006DE-S4	A4006DM-S4	6"	2.4	1.1
5"	A4009DE-S4	A4009DM-S4	9"	3	1.36
8"	A4012DE-S4	A4012DM-S4	12"	3.75	1.7
11"	A4015DE-S4	A4015DM-S4	15"	4.5	2.04

with Micrometer Head – limited fine adjust

Travel Inches	Model GE	Model GM	Base Length	Weight lbs.	kg
2"	A4006GE-S4	A4006GM-S4	6"	2.4	1.1
5"	A4009GE-S4	A4009GM-S4	9"	3	1.36
8"	A4012GE-S4	A4012GM-S4	12"	3.75	1.7
11"	A4015GE-S4	A4015GM-S4	15"	4.5	2.04

A40 Full Travel, Unlimited Fine Adjust Model H and HE/HM

Rapid Advance

Travel Inches	Model H20	Model H1	Base Length	Weight lbs.	kg
2"	A4006H20-S4	A4006H1-S4	6"	2.4	1.1
5"	A4009H20-S4	A4009H1-S4	9"	3	1.36
8"	A4012H20-S4	A4012H1-S4	12"	3.75	1.7
11"	A4015H20-S4	A4015H1-S4	15"	4.5	2.04
14"	A4018H20-S4	A4018H1-S4	18"	5.25	2.81
17"	A4021H20-S4	A4021H1-S4	21"	6	2.72

Rapid Advance with Scale and Vernier – unlimited fine adjust

Travel Inches	Model HE	Model HM	Base Length	Weight lbs.	kg
2"	A4006HE-S4	A4006HM-S4	6"	2.4	1.1
5"	A4009HE-S4	A4009HM-S4	9"	3	1.36
8"	A4012HE-S4	A4012HM-S4	12"	3.75	1.7
11"	A4015HE-S4	A4015HM-S4	15"	4.5	2.04



"Positioning Systems for Science and Industry"

UniSlide® Manual Series A40

A40 Left-Right Screw Motion UniSlides

Separation	40 turns	20 turns	Base Length	Weight	
	inch	inch		lbs.	kg
1	A4009C-S4-LR	A4009B-S4-LR	9"	3.5	1.59
4	A4012C-S4-LR	A4012B-S4-LR	12"	4.17	1.89
7	A4015C-S4-LR	A4015B-S4-LR	15"	4.84	2.2
10	A4018C-S4-LR	A4018B-S4-LR	18"	5.5	2.5
13	A4021C-S4-LR	A4021B-S4-LR	21"	6.2	2.81
16	A4024C-S4-LR	A4024B-S4-LR	24"	6.85	3.11



"Positioning Systems for Science and Industry"

UniSlide® Manual Series A60

UniSlide® Manual Series A60 with standard 6" long slider

A60 Free Sliding Models

Travel Inches	Item Number	Base Length	Weight	
			lbs.	kg
3"	A6009A-S6	9"	6.5	2.95
6"	A6012A-S6	12"	8.5	3.86
9"	A6015A-S6	15"	10.5	4.76
12"	A6018A-S6	18"	12.5	5.67
15"	A6021A-S6	21"	14.5	6.58
18"	A6024A-S6	24"	16.5	7.48
21"	A6027A-S6	27"	18.5	8.39
24"	A6030A-S6	30"	20.5	9.3
27"	A6033A-S6	33"	22.5	10.21
30"	A6036A-S6	36"	24.5	11.11
33"	A6039A-S6	39"	26.5	12.02
36"	A6042A-S6	42"	28.5	12.93
39"	A6045A-S6	45"	30.5	13.83
42"	A6048A-S6	48"	32.5	14.74

A60 Screw Drive Models

Travel Inches	Lead Screw Pitch						Base Length	Weight	
	40 turns inch	20 turns inch	10 turns inch	5 turns inch	10 turns cm.	5 turns cm.		lbs.	kg
3"	A6009C-S6	A6009B-S6	A6009W1-S6	A6009W2-S6	A6009K1-S6	A6009K2-S6	9"	8	3.63
6"	A6012C-S6	A6012B-S6	A6012W1-S6	A6012W2-S6	A6012K1-S6	A6012K2-S6	12"	10.5	4.76
9"	A6015C-S6	A6015B-S6	A6015W1-S6	A6015W2-S6	A6015K1-S6	A6015K2-S6	15"	13	5.9
12"	A6018C-S6	A6018B-S6	A6018W1-S6	A6018W2-S6	A6018K1-S6	A6018K2-S6	18"	15.5	7.03
15"	A6021C-S6	A6021B-S6	A6021W1-S6	A6021W2-S6	A6021K1-S6	A6021K2-S6	21"	18	8.16
18"	A6024C-S6	A6024B-S6	A6024W1-S6	A6024W2-S6	A6024K1-S6	A6024K2-S6	24"	20.5	9.3
21"	A6027C-S6	A6027B-S6	A6027W1-S6	A6027W2-S6	A6027K1-S6	A6027K2-S6	27"	23	10.43
24"	A6030C-S6	A6030B-S6	A6030W1-S6	A6030W2-S6	A6030K1-S6	A6030K2-S6	30"	25.5	11.57
27"	A6033C-S6	A6033B-S6	A6033W1-S6	A6033W2-S6	A6033K1-S6	A6033K2-S6	33"	28	12.7
30"	A6036C-S6	A6036B-S6	A6036W1-S6	A6036W2-S6	A6036K1-S6	A6036K2-S6	36"	30.5	13.86
33"	A6039C-S6	A6039B-S6	A6039W1-S6	A6039W2-S6	A6039K1-S6	A6039K2-S6	39"	33	15
36"	A6042C-S6	A6042B-S6	A6042W1-S6	A6042W2-S6	A6042K1-S6	A6042K2-S6	42"	35.5	16.1
39"	A6045C-S6	A6045B-S6	A6045W1-S6	A6045W2-S6	A6045K1-S6	A6045K2-S6	45"	38	17.24
42"	A6048C-S6	A6048B-S6	A6048W1-S6	A6048W2-S6	A6048K1-S6	A6048K2-S6	48"	40.5	18.37



"Positioning Systems for Science and Industry"

UniSlide® Manual Series A60

A60 Graduated Knob Models

Travel Inches	40 turns inch	20 turns inch	10 turns inch	5 turns inch	10 turns cm.	5 turns cm.	Base Length	Weight lbs. kg	
3"	A6009P40-S6	A6009P20-S6	A6009P10-S6	A6009P5-S6	A6009Q1-S6	A6009Q2-S6	9"	8	3.63
6"	A6012P40-S6	A6012P20-S6	A6012P10-S6	A6012P5-S6	A6012Q1-S6	A6012Q2-S6	12"	10.5	4.76
9"	A6015P40-S6	A6015P20-S6	A6015P10-S6	A6015P5-S6	A6015Q1-S6	A6015Q2-S6	15"	13	5.9
12"	A6018P40-S6	A6018P20-S6	A6018P10-S6	A6018P5-S6	A6018Q1-S6	A6018Q2-S6	18"	15.5	7.03
15"	A6021P40-S6	A6021P20-S6	A6021P10-S6	A6021P5-S6	A6021Q1-S6	A6021Q2-S6	21"	18	8.16
18"	A6024P40-S6	A6024P20-S6	A6024P10-S6	A6024P5-S6	A6024Q1-S6	A6024Q2-S6	24"	20.5	9.3

A60 Screw Drive with Scale and Vernier Models

Travel Inches	40 turns inch	20 turns inch	10 turns inch	5 turns inch	10 turns cm.	5 turns cm.	Base Length	Weight lbs. kg	
3"	A6009CE-S6	A6009BE-S6	A6009W1E-S6	A6009W2E-S6	A6009K1M-S6	A6009K2M-S6	9"	8	3.63
6"	A6012CE-S6	A6012BE-S6	A6012W1E-S6	A6012W2E-S6	A6012K1M-S6	A6012K2M-S6	12"	10.5	4.76
9"	A6015CE-S6	A6015BE-S6	A6015W1E-S6	A6015W2E-S6	A6015K1M-S6	A6015K2M-S6	15"	13	5.9
12"	A6018CE-S6	A6018BE-S6	A6018W1E-S6	A6018W2E-S6	A6018K1M-S6	A6018K2M-S6	18"	15.5	7.03
15"	A6021CE-S6	A6021BE-S6	A6021W1E-S6	A6021W2E-S6	A6021K1M-S6	A6021K2M-S6	21"	18	8.16

A60 Full Travel, Unlimited Fine Adjust Model H and HE/HM

Rapid Advance – Unlimited Fine Adjust

Travel Inches	Model H20	Model H1	Base Length	Weight lbs. kg	
3"	A6009H20-S6	A6009H1-S6	9"	8	3.63
6"	A6012H20-S6	A6012H1-S6	12"	10.5	4.76
9"	A6015H20-S6	A6015H1-S6	15"	13	5.9
12"	A6018H20-S6	A6018H1-S6	18"	15.5	7.03
15"	A6021H20-S6	A6021H1-S6	21"	18	8.16
18"	A6024H20-S6	A6024H1-S6	24"	20.5	9.3
21"	A6027H20-S6	A6027H1-S6	27"	23	10.43
24"	A6030H20-S6	A6030H1-S6	30"	25.5	11.57
27"	A6033H20-S6	A6033H1-S6	33"	28	12.7
30"	A6036H20-S6	A6036H1-S6	36"	30.5	13.86

Rapid Advance with Scale and Vernier – Unlimited Fine Adjust

Travel Inches	Model HE	Model HM	Base Length	Weight lbs. kg	
3"	A6009HE-S6	A6009HM-S6	9"	8	3.63
6"	A6012HE-S6	A6012HM-S6	12"	10.5	4.76
9"	A6015HE-S6	A6015HM-S6	15"	13	5.9
12"	A6018HE-S6	A6018HM-S6	18"	15.5	7.03



"Positioning Systems for Science and Industry"

UniSlide® Manual Series B90

UniSlide® Manual Series B90 with standard 9" long slider

Read down for travel, across for desired lead screw and price. Call Velmex for longer units.

B90 Free Sliding Models

Travel Inches	Item Number	Base Length	Weight lbs.	Weight kg
3"	B9012A-S9	12"	18.5	8.39
6"	B9015A-S9	15"	22	9.98
9"	B9018A-S9	18"	25.19	11.43
12"	B9021A-S9	21"	28.75	13.04
15"	B9024A-S9	24"	32.25	14.63
18"	B9027A-S9	27"	35.75	16.22
21"	B9030A-S9	30"	39	17.69
24"	B9033A-S9	33"	42.5	19.28
27"	B9036A-S9	36"	45.5	20.64
30"	B9039A-S9	39"	49.5	22.45
33"	B9042A-S9	42"	53	24.04
36"	B9045A-S9	45"	56.5	25.63
39"	B9048A-S9	48"	59.75	27.1

B90 Screw Drive Models

Travel Inches	Lead Screw Pitch						Base Length	Weight	
	40 turns inch	20 turns inch	10 turns inch	5 turns inch	10 turns cm.	5 turns cm.		lbs.	kg
3"	B9012C-S9	B9012B-S9	B9012W1-S9	B9012W2-S9	B9012K1-S9	B9012K2-S9	12"	21	9.5
6"	B9015C-S9	B9015B-S9	B9015W1-S9	B9015W2-S9	B9015K1-S9	B9015K2-S9	15"	25.2	11.43
9"	B9018C-S9	B9018B-S9	B9018W1-S9	B9018W2-S9	B9018K1-S9	B9018K2-S9	18"	29.3	13.3
12"	B9021C-S9	B9021B-S9	B9021W1-S9	B9021W2-S9	B9021K1-S9	B9021K2-S9	21"	33.4	15.15
15"	B9024C-S9	B9024B-S9	B9024W1-S9	B9024W2-S9	B9024K1-S9	B9024K2-S9	24"	37.5	17.01
18"	B9027C-S9	B9027B-S9	B9027W1-S9	B9027W2-S9	B9027K1-S9	B9027K2-S9	27"	41.6	18.87
21"	B9030C-S9	B9030B-S9	B9030W1-S9	B9030W2-S9	B9030K1-S9	B9030K2-S9	30"	45.75	20.75
24"	B9033C-S9	B9033B-S9	B9033W1-S9	B9033W2-S9	B9033K1-S9	B9033K2-S9	33"	49.9	22.63
27"	B9036C-S9	B9036B-S9	B9036W1-S9	B9036W2-S9	B9036K1-S9	B9036K2-S9	36"	54	24.5
30"	B9039C-S9	B9039B-S9	B9039W1-S9	B9039W2-S9	B9039K1-S9	B9039K2-S9	39"	58.2	26.4
33"	B9042C-S9	B9042B-S9	B9042W1-S9	B9042W2-S9	B9042K1-S9	B9042K2-S9	42"	62.3	28.26
36"	B9045C-S9	B9045B-S9	B9045W1-S9	B9045W2-S9	B9045K1-S9	B9045K2-S9	45"	66.4	30.12
39"	B9048C-S9	B9048B-S9	B9048W1-S9	B9048W2-S9	B9048K1-S9	B9048K2-S9	48"	70.5	32



"Positioning Systems for Science and Industry"

UniSlide® Manual Series B90

B90 Graduated Knob Models

Travel Inches	40 turns inch	20 turns inch	10 turns inch	5 turns inch	10 turns cm.	5 turns cm.	Base Length	Weight lbs. kg	
3"	B9012P40-S9	B9012P20-S9	B9012P10-S9	B9012P5-S9	B9012Q1-S9	B9012Q2-S9	12"	21	9.5
6"	B9015P40-S9	B9015P20-S9	B9015P10-S9	B9015P5-S9	B9015Q1-S9	B9015Q2-S9	15"	25.2	11.43
9"	B9018P40-S9	B9018P20-S9	B9018P10-S9	B9018P5-S9	B9018Q1-S9	B9018Q2-S9	18"	29.3	13.3
12"	B9021P40-S9	B9021P20-S9	B9021P10-S9	B9021P5-S9	B9021Q1-S9	B9021Q2-S9	21"	33.4	15.15
15"	B9024P40-S9	B9024P20-S9	B9024P10-S9	B9024P5-S9	B9024Q1-S9	B9024Q2-S9	24"	37.5	17.01
18"	B9027P40-S9	B9027P20-S9	B9027P10-S9	B9027P5-S9	B9027Q1-S9	B9027Q2-S9	27"	41.6	18.87



"Positioning Systems for Science and Industry"

Assembled Manual UniSlide® XY tables

AXY25 Series

Travel Inches	Item Number	Maximum Aperture	Height Inches	Weight	
				lbs.	kg
2"x2"	AXY2506W1	1.5" sq	2.4"	7.5	3.4
3"x3"	AXY2509W1	4.5" sq	2.4"	12.5	5.7
4"x4"	AXY2512W1	7.5" sq	2.4"	17.7	8.03
	- BK -- Black Anodize				
	Z- Hard Anodized Base, dyed black				
	WA – with square aperture				

AXY40 Series

2"x2"	AXY4006W1	N/A	3.78"	8.7	3.95
5"x5"	AXY4009W1	N/A	3.78"	13	5.9
	- BK -- Black Anodize				
	Z- Hard Anodized Base, dyed black				
	Graduated Model				

AXY60 Series

3"x3"	AXY6009W1	N/A	5.5"	24.5	11.11
6"x6"	AXY6012W1	N/A	5.5"	32.7	14.83
9"x9"	AXY6015W1	N/A	5.5"	36	16.33
	- BK -- Black Anodize				
	Z- Hard Anodized Base, dyed black				
	Graduated Model				



"Positioning Systems for Science and Industry"

UniSlide® Elevating Tables

	Travel Inches	Item Number	Maximum Aperture	Height Inches	Weight	
					lbs.	kg
B29 Series						
	1.5"	B2904W1	N/A	6.88"	2.75	1.25
	3.5"	B2906W1	N/A	8.75"	3.75	1.7
	6.5"	B2909W1	N/A	11.88"	4.7	2.13
		- TL -- Thumbscrew on leadscrew lock				
		- BK -- Black Anodize				
		Graduated Model				

B49 Series						
	2"	B4906W1	N/A	8.88"	6.7	3.04
	5"	B4909W1	N/A	11.88"	7.91	3.6
	8"	B4912W1	N/A	14.88"	9.18	4.16
		- TL -- Thumbscrew on leadscrew lock				
		- BK -- Black Anodize				
		Graduated Model				

B69 Series						
	3"	B6909W1	N/A	12.75"	14.7	6.7
	6"	B6912W1	N/A	15.75"	17.1	7.75
	9"	B6915W1	N/A	18.75"	19.5	8.85
		- TL -- Thumbscrew on leadscrew lock				
		- BK -- Black Anodize				
		Graduated Model				

	Travel Inches	Item Number	Maximum Aperture	Retract Height	Weight	
					lbs.	kg
A39 Series						
	1"	A3901W1	N/A	2.25"	1.3	0.59
	3.25"	A3903W1	N/A	4.5"	2	0.91
		- BK -- Black Anodize				
		- DL -- Dual Lock				



"Positioning Systems for Science and Industry"

UniSlide® "TA" Measuring System

TA Rapid Advance UniSlide®

Travel Inches	Item Number	Base Length	Weight	
			lbs.	kg
3"	TA4009H1-S6	9	6	2.7
6"	TA4012H1-S6	12	7	3.18
9"	TA4015H1-S6	15	8	3.63
12"	TA4018H1-S6	18	9	4.08
15"	TA4021H1-S6	21	10	4.54
18"	TA4024H1-S6	24	11	5
21"	TA4027H1-S6	27	12	5.44
24"	TA4030H1-S6	30	13	5.9

Inductive Linear Encoders

Travel Inches	Item Number	Description	Weight	
			lbs.	kg
3"	ENCINDL1-03	AMO Linear Encoder, 1um	0.08	0.04
6"	ENCINDL1-06	AMO Linear Encoder, 1um	0.08	0.04
9"	ENCINDL1-09	AMO Linear Encoder, 1um	0.08	0.04
12'	ENCINDL1-12	AMO Linear Encoder, 1um	0.08	0.04
15"	ENCINDL1-15	AMO Linear Encoder, 1um	0.08	0.04
18"	ENCINDL1-18	AMO Linear Encoder, 1um	0.08	0.04
21"	ENCINDL1-21	AMO Linear Encoder, 1um	0.08	0.04
24"	ENCINDL1-24	AMO Linear Encoder, 1um	0.1	0.045

VRO™ Digital Readout for Encoders

The Velmex model VRO is a high performance digital encoder readout. It offers an easy to read OLED display and a full featured serial interface for computer integration.

Item Number	Description
VRO-1B	One Axis Encoder Readout with Tilt Base

TA system options

VXM-USB-RS232	USB to RS232 DB9 Serial Communication Cable 3 m
VRO-TAB2	Tab 2 Two Button Remote With Cable for QC10V
VRO-PLG-EU	Power Adapter Plug European
VRO-PLG-UK	Power Adapter Plug United Kingdom
VRO-PLG-AU	Power Adapter Plug Australia



"Positioning Systems for Science and Industry"

UniSlide® Options for Manual Series

	Specified by letter		Series					Option is available in these models						
			A15	A25	A40	A60	B90	Free Travel	Screw Drive	Graduated Knob	Scale and Vernier	Rapid Advance	Left Right Screw	
	P/N Prefix	P/N Suffix												
Longer slider lengths			S2	S3	S6	S8	S12	•	•	•	•	•	•	•
			S3	S4	NA	NA	NA	•	•	•	•	•	•	•
Deeper "B" base	B-		NA	•	•	•	NA	•	•	•	•	•	•	•
Optional Finish (Price maybe subject to a minimum lot charge)														
Hard Anodized Base, dyed black	Z-		•	•	•	•	•	•	•	•	•	NA	NA	NA
Electroless Nickel	N-		•	•	•	•	•	•	•	•	•	NA	NA	NA
Black Anodize		-BK	•	•	•	•	•	•	•	•	•	•	•	•
Locks														
Thumb screw-on-lead screw lock		-TL	•	•	•	•	•	•	NA	•	•	•	NA	•
Slider lock, Right side		-SLR	•	•	•	•	•	•	•	•	•	•	•	•
Slider lock, Left side		-SLL	•	•	•	•	•	•	•	•	•	•	•	•
Traveling Slider Lock (available only in standard slider length)		-TSL	•	•	•	•	•	•	•	•	•	NA	•	•
Revolution Counter		-RC	•	•	•	•	•	•	NA	•	•	•	NA	•
Way Covers		-WC	NA	•	•	•	•	•	NA	•	•	NA	NA	•

Right angle gear box

For UniSlide® Series A25 and A40

5005B-A3-U or -D, -R, -L	
--------------------------	--

For UniSlide® Series A60 and A90

R3000-U or -D, -R, -L	
-----------------------	--



"Positioning Systems for Science and Industry"

XY Adapter Plates for UniSlide®

XY Adapters

Item Number	Weight	
	lbs.	kg
A1500XY	0.3	0.14
A2500XY	0.3	0.14
A4000XY	0.6	0.27
A6000XY	1.2	0.54
B9000XY	3.8	1.72

XZ Adapters

Use for A15 Series UniSlides®

A1500XZ	0.3	0.14
---------	-----	------

Use for A25 and B25 Series UniSlides®

A2500XZ	1.0	0.45
A2501XZ	1.0	0.45
B2503XZ	1.4	0.64

Use for A40 and B40 Series UniSlides®

A4000XZ		
A4001XZ	2.0	0.91
B4003XZ	3.0	1.36
B4004XZ	4.3	1.95

Use for A60 and B60 Series UniSlides®

A6000XZ		
A6001XZ	5.0	2.27
B6003XZ	5.3	2.40
B6004XZ	7.1	3.22

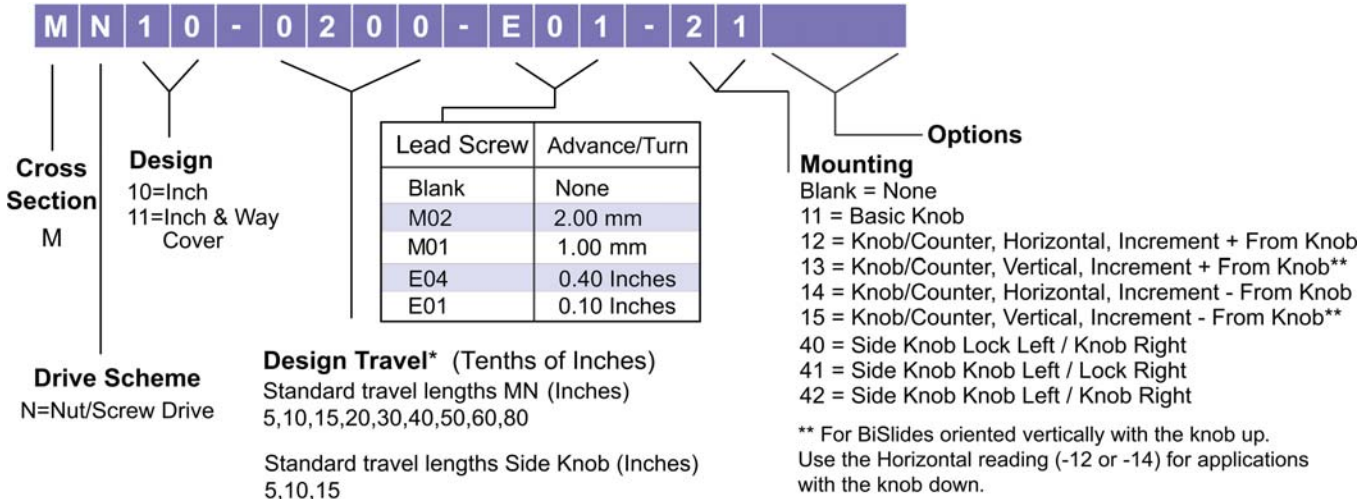
Use for B90 Series UniSlides®

B9000XZ		
B9001XZ	15.0	6.80
B9002XZ	17.0	7.71
B9003XZ	18.0	8.16

Manual BiSlide® Assemblies

applications. Exceedingly accurate, multi-axis positioning systems can be quickly and easily assembled using Velmex BiSlides®.

BiSlide® Assembly Part No. Definition



Manual BiSlide® with knob and thumb lock

Travel in	Travel cm	Item Number Leadscrew pitch				Overall Base Length (in.)	Weight	
		0.100"/turn	0.400"/turn	1 mm/turn	2 mm/turn		lbs.	kg.
5	12.7	MN10-0050-E01-11	MN10-0050-E04-11	MN10-0050-M01-11	MN10-0050-M02-11	12.95	6.9	3.2
10	25.4	MN10-0100-E01-11	MN10-0100-E04-11	MN10-0100-M01-11	MN10-0100-M02-11	17.95	8.7	4
15	38.1	MN10-0150-E01-11	MN10-0150-E04-11	MN10-0150-M01-11	MN10-0150-M02-11	22.95	10.5	4
20	50.8	MN10-0200-E01-11	MN10-0200-E04-11	MN10-0200-M01-11	MN10-0200-M02-11	27.95	12.2	5.5
30	76.2	MN10-0300-E01-11	MN10-0300-E04-11	MN10-0300-M01-11	MN10-0300-M02-11	37.95	15.7	7.1
40	101.6	MN10-0400-E01-11	MN10-0400-E04-11	MN10-0400-M01-11	MN10-0400-M02-11	50.35	20.3	9.2
50	127	MN10-0500-E01-11	MN10-0500-E04-11	MN10-0500-M01-11	MN10-0500-M02-11	60.35	23.8	10.8
60	152.4	MN10-0600-E01-11	MN10-0600-E04-11	MN10-0600-M01-11	MN10-0600-M02-11	70.35	27.3	12.4
80	203.2	MN10-0800-E01-11	MN10-0800-E04-11	MN10-0800-M01-11	MN10-0800-M02-11	90.35	34.3	15.6



Manual BiSlide® Assemblies

Manual BiSlide® with knob, counter and thumb lock

Insert your choice in place of yy in the Model Number:

BiSlide® orientation horizontal: 12 counter increments + from knob, 14 counter increments - from knob

BiSlide® orientation vertical: 13 counter increments + from knob, 15 counter increments - from knob

Travel		Leadscrew pitch				Overall Base Length (in.)	Weight	
in	cm	0.100"/turn	0.400"/turn	1 mm/turn	2 mm/turn		lbs.	kg.
5	12.7	MN10-0050-E01-yy	MN10-0050-E04-yy	MN10-0050-M01-yy	MN10-0050-M02-yy	12.95	7.4	3.4
10	25.4	MN10-0100-E01-yy	MN10-0100-E04-yy	MN10-0100-M01-yy	MN10-0100-M02-yy	17.95	9.2	4.2
15	38.1	MN10-0150-E01-yy	MN10-0150-E04-yy	MN10-0150-M01-yy	MN10-0150-M02-yy	22.95	11	5
20	50.8	MN10-0200-E01-yy	MN10-0200-E04-yy	MN10-0200-M01-yy	MN10-0200-M02-yy	27.95	12.7	5.8
30	76.2	MN10-0300-E01-yy	MN10-0300-E04-yy	MN10-0300-M01-yy	MN10-0300-M02-yy	37.95	16.2	7.4
40	101.6	MN10-0400-E01-yy	MN10-0400-E04-yy	MN10-0400-M01-yy	MN10-0400-M02-yy	50.35	20.8	9.4
50	127	MN10-0500-E01-yy	MN10-0500-E04-yy	MN10-0500-M01-yy	MN10-0500-M02-yy	60.35	24.3	11
60	152.4	MN10-0600-E01-yy	MN10-0600-E04-yy	MN10-0600-M01-yy	MN10-0600-M02-yy	70.35	27.8	12.6
80	203.2	MN10-0800-E01-yy	MN10-0800-E04-yy	MN10-0800-M01-yy	MN10-0800-M02-yy	90.35	34.8	15.8

BiSlide® Side Knob Assembly – for precision vertical test stands

Mounting – Lock Left / Knob Right

Travel		Leadscrew pitch			Overall Height (in.)	Weight		
in	cm	0.100"/turn	1 mm/turn	2 mm/turn		lbs.	kg.	
5	12.7	MN10-0050-E01-40		MN10-0050-M01-40	MN10-0050-M02-40	15.15	7.4	3.4
10	25.4	MN10-0100-E01-40		MN10-0100-M01-40	MN10-0100-M02-40	20.15	9.2	4.2
15	38.1	MN10-0150-E01-40		MN10-0150-M01-40	MN10-0150-M02-40	25.15	11	5

Mounting – Knob Left / Lock Right

5	12.7	MN10-0050-E01-41		MN10-0050-M01-41	MN10-0050-M02-41	15.15	7.4	3.4
10	25.4	MN10-0100-E01-41		MN10-0100-M01-41	MN10-0100-M02-41	20.15	9.2	4.2
15	38.1	MN10-0150-E01-41		MN10-0150-M01-41	MN10-0150-M02-41	25.15	11	5

Mounting – Knob Left / Knob Right

5	12.7	MN10-0050-E01-42		MN10-0050-M01-42	MN10-0050-M02-42	15.15	7.4	3.4
10	25.4	MN10-0100-E01-42		MN10-0100-M01-42	MN10-0100-M02-42	20.15	9.2	4.2
15	38.1	MN10-0150-E01-42		MN10-0150-M01-42	MN10-0150-M02-42	25.15	11	5

Free Sliding BiSlide® Models

Travel			Overall Base Length (in.)	Weight	
in	cm	Model #		lbs.	kg
7.4	18.8	MF10-0050	12.95	5.9	2.7
12.4	31.5	MF10-0100	17.95	7.4	3.3
17.4	44.2	MF10-0150	22.95	8.9	4
22.4	56.9	MF10-0200	27.95	10.3	4.7
32.4	82.3	MF10-0300	37.95	13.3	6.1
44.8	113.8	MF10-0400	50.35	17	7.7
54.8	139.2	MF10-0500	60.35	20	9.1
64.8	164.6	MF10-0600	70.35	23	10.4
84.8	215.4	MF10-0800	90.35	28.9	13.1

For custom lengths use price of nearest longer length model + \$80.00

Note: Crating charges may apply



Manual BiSlide® Assemblies

Parallel Coupled BiSlide®

Description

PC1-xxx (xxx is inch C to C)	Manual Coupled (Belt, Pulleys, Cover, Bearings, Knob)*
------------------------------	--------------------------------------------------------

*Price does not include installation of belt and crating charge. Assembly instructions and Belt Tensioner are included.

Note: Crating charges may apply.

BiSlide® Common Accessories¹

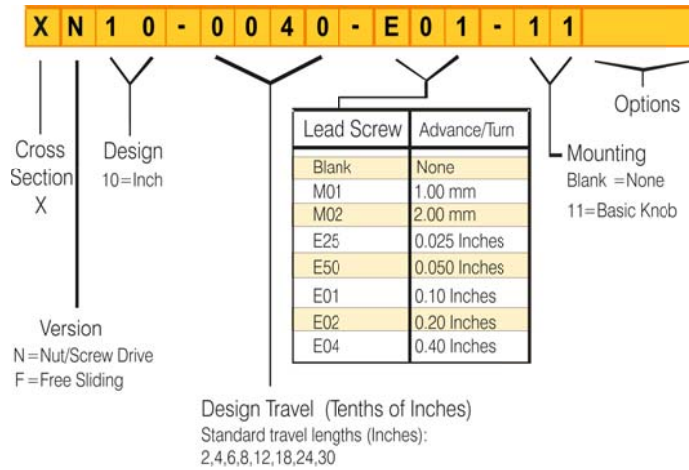
Item Number	Description	Weight	
		oz	g
MC-1	Mounting Cleat Special 1 Hole	0.5	14.2
MC-2	Mounting Cleat Std 2 Hole (1.42" between holes)	0.9	25.5
MC-3	Mounting Cleat Optical 2 Hole (2" between holes)	0.9	25.5
MB-1	1/4-20x3/4 SktHd Cap Bolts, 10 pack	2.2	62.4
MC-4	Sandwich Cleats (1 Pair MC-1 with bolts and nuts)	1.2	34

¹See Motor-Driven Products Price List for additional BiSlide mounting hardware etc.

Velmex Manual XSlide™ Assemblies

The Velmex XSlide™ is a compact positioning stage highly suitable for either incrementing or scanning functions. Their compact design makes them ideal for limited space applications.

XSlide™ Assembly Part No. Definition



Lead Screw Drive Models

Travel		Item Number	Overall Length	Weight	
in	cm			lbs	kg
2	5.1	XN10-0020-xxx-11	6.05 in	0.99	0.45
4	10.2	XN10-0040-xxx-11	8.05 in	1.15	0.52
6	15.2	XN10-0060-xxx-11	10.05 in	1.31	0.60
8	20.3	XN10-0080-xxx-11	12.05 in	1.47	0.67
12	30.5	XN10-0120-xxx-11	16.05 in	1.79	0.81
18	45.7	XN10-0180-xxx-11	22.05 in	2.26	1.03
24	61.0	XN10-0240-xxx-11	28.05 in	2.74	1.25
30	76.2	XN10-0300-xxx-11	34.05 in	3.22	1.46

xxx=Lead Screw (M01,M02,E25,E50,E01,E02,E04)

Free Sliding Models

Travel		Item Number	Overall Length	Weight	
in	cm			lbs	kg
2.5	6.4	XF10-0020	4.86 in	0.26	0.12
4.5	11.4	XF10-0040	6.86 in	0.36	0.16
6.5	16.5	XF10-0060	8.86 in	0.47	0.21
8.5	21.6	XF10-0080	10.86 in	0.57	0.26
12.5	31.8	XF10-0120	14.86 in	0.78	0.35
18.5	47.0	XF10-0180	20.86 in	1.09	0.50
24.5	62.2	XF10-0240	26.86 in	1.41	0.64
30.5	77.5	XF10-0300	32.86 in	1.72	0.78



"Positioning Systems for Science and Industry"

Velmex Manual XSlide™ Assemblies

Common XSlide Accessories

Part #	Description	Weight	
		oz	g
XMC-2	Mounting Cleat Standard 2 Hole (recommended both sides every 3")	0.10	2.8
XMC-4	Crossing Cleats, includes hardware	0.20	5.7
XMC-5	Mounting Cleat 1 Hole Optical	0.10	2.8
XMB-1	6-32 x 7/16" SktHd Cap Bolts (each)	0.04	1.0

Options

XBCF	Extra Carriage (Without Nut)	2.64	74.8
XBCN-xxx	Extra Carriage (With Nut)	2.60	73.7

End Mounting

XMB-2	6-32x5/8 Socket HeadCap Bolts (each)	0.04	1.1
XGST-1	Gusset 2.5" (includes cleats and fastners)	4.20	119.1



"Positioning Systems for Science and Industry"

Velmex Rotary Manual Tables

A4800TS Series

Rotary Tables

Table Dia.	Bore Dia.	Model Number		Gear Ratio	Weight lbs.	Weight kg
5"	1.6"	A4872TS		72:1	5.5	2.5
5"	1.6"	A4836TS		36:1	5.5	2.5
5"	1.6"	A4818TS		18:1	5.5	2.5

Options added to above:	- BK -- Black Anodize	
	- TL -- Thumbscrew on leadscrew lock	
	A6000TX -Adapter Plate	

A5900TS Series

Rotary Tables

Table Dia.	Bore Dia.	Model Number		Gear Ratio	Weight lbs.	Weight kg
1.65"	0.5"	A5990TS-BK	Black Anodize (standard)	90:1	2.7	1.23

Options added to above:	- TL -- Thumbscrew on leadscrew lock	
	B5990TXZ-BK - Adapter Plate	

Table Dia.		<u>Turntables</u>	Height	Weight lbs.	Weight kg
3.15"	A2505TS	Will mount on A15,m A25 or B25 Series Sliders	1.3"	1.07	.49
4.13"	A4007TS	Will mount on A40, B40, A60 or B60 Series Sliders	1.3"	1.75	.8

Rotary Encoder

3-919-E-A06	Optical Rotary Encoder Assembly w/HEDS5500#A06 1/4" Shaft, 500 CPR
3-919-E-C06	Optical Rotary Encoder Assembly w/HEDS5500#C06 1/4" Shaft, 100 CPR
3-919-E-H06	Optical Rotary Encoder Assembly w/HEDS5500#H06 1/4" Shaft, 400 CPR
3-919-QC	Cable – Rotary Encoder to QC
3-918E replacement only	
4-0744	Cable Assembly, Encoder, HEDS to VRO, 10 ft



MOTOR-DRIVEN VELMEX PRODUCTS

Velmex motor-driven products include:

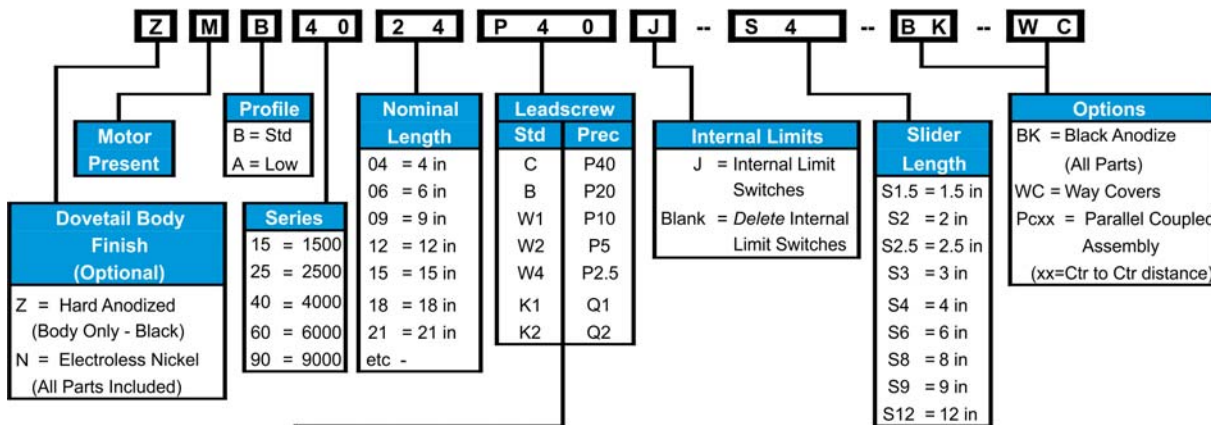
- UniSlide® linear assemblies – MA15, MB25, MA25, MB40, MA40, MB60, MA60 and MB90 Series
- UniSlide® XY Tables – MAXY40 and MAXY60 Series
- BiSlide® Assemblies – MN10, MF10, MT10 and MB10 Series
- XSlide™ Assemblies – XN10 and XF10 Series
- Velmex Rotary Tables
- Velmex Turntables

Accessories and options include XY and XZ adapters, motors, encoders, VRO™ Encoder Readouts and VXM Motor Controllers.

Motor-Driven UniSlide® Assemblies

Velmex UniSlide Assemblies deliver precise, versatile movement in one, two or three dimensions with linear or rotational motion. An impressive array of standard configurations are available to meet a multitude of applications. UniSlide positioning systems also can be easily customized to fulfill exacting requirements.

Motor-Driven UniSlide® Part Number Definition



LEAD SCREW CODE SELECTION CHART							
Advance per Revolution	0.025 in	0.050 in	0.100 in	0.200 in	0.400 in	1 mm	2 mm
Standard Accuracy Screw (Lead Error < 0.007 in / 10 in)	C	B	W1	W2	W4	K1	K2
Precision Accuracy Screw (Lead Error < 0.0015 in / 10 in)	P40	P20	P10	P5	P2.5	Q1	Q2



"Positioning Systems for Science and Industry"

Motor Ready UniSlide® MA15 Series

MA15 Motor Ready UniSlide® without Limits - Standard Lead Screw

Travel Inches	Item Number				Base Length	Weight	
	<u>40 Turns</u>	<u>20 Turns</u>	<u>10 Turns</u>	<u>5 Turns</u>		lbs.	kg
	Inch (0.025"/Rev)	Inch (0.050"/Rev)	cm (1 mm/rev)	cm (2 mm/Rev)			
1.5	MA1503C-S1.5	MA1503B-S1.5	MA1503K1-S1.5	MA1503K2-S1.5	3"	0.5	0.23
4.5	MA1506C-S1.5	MA1506B-S1.5	MA1506K1-S1.5	MA1506K2-S1.5	6"	0.7	0.32
7.5	MA1509C-S1.5	MA1509B-S1.5	MA1509K1-S1.5	MA1509K2-S1.5	9"	1.0	0.45
10.5	MA1512C-S1.5	MA1512B-S1.5	MA1512K1-S1.5	MA1512K2-S1.5	12"	1.2	0.54

Base Price includes Body, Leadscrew w/Coupling, Slider, Drive Nut, and NEMA 17 Motor Plate (Limit Switches are not included)

See "Accessories" > "Limit Switches" for Limit Switch Options

MA15 Motor Ready UniSlide® without Limits - Precision Lead Screw

Travel Inches	Item Number				Base Length	Weight	
	<u>40 Turns</u>	<u>20 Turns</u>	<u>10 Turns</u>	<u>5 Turns</u>		lbs.	kg
	Inch (0.025"/Rev)	Inch (0.050"/Rev)	cm (1 mm/rev)	cm (2 mm/Rev)			
1.5	MA1503P40-S1.5	MA1503P20-S1.5	MA1503Q1-S1.5	MA1503Q2-S1.5	3"	0.5	0.23
4.5	MA1506P40-S1.5	MA1506P20-S1.5	MA1506Q1-S1.5	MA1506Q2-S1.5	6"	0.7	0.32
7.5	MA1509P40-S1.5	MA1509P20-S1.5	MA1509Q1-S1.5	MA1509Q2-S1.5	9"	1.0	0.45
10.5	MA1512P40-S1.5	MA1512P20-S1.5	MA1512Q1-S1.5	MA1512Q2-S1.5	12"	1.2	0.54

Base Price includes Body, Lead Screw w/Coupling, Slider, Drive Nut, and NEMA 17 Motor Plate (Limit Switches are not included)

See "Limits" for other Limit Switch Options

MA15 Options

Part Number		Description
P/N Prefix	P/N Suffix	
	S2	2 inch Slider
	S3	3 inch slider
Z		Hard Anodized, Body only, Dyed Black *
	BK	Black Anodize, All except lead screw *
N		Electroless Nickel, All except lead screw *
	WC	Way Covers

* Note: Anodizing and Electroless Nickel options are subject to minimum lot charge



"Positioning Systems for Science and Industry"

Motor Ready UniSlide® MA25 Series

MA25 Motor Ready UniSlide® without Limits - Standard Lead Screw

Travel Inches	Item Number							Base Length	Weight	
	40 Turns	20 Turns	10 Turns	5 Turns	2.5 Turns	10 Turns	5 Turns		(lbs)	(kg)
	Inch (0.025"/Rev)	Inch (0.050"/Rev)	Inch (0.100"/Rev)	Inch (0.200"/Rev)	Inch (0.400"/Rev)	cm (1 mm/rev)	cm (2 mm/Rev)			
0.5	MA2504C-S2.5	MA2504B-S2.5	MA2504W1-S2.5	MA2504W2-S2.5	MA2504W4-S2.5	MA2504K1-S2.5	MA2504K2-S2.5	4"	1.8	0.82
2.5	MA2506C-S2.5	MA2506B-S2.5	MA2506W1-S2.5	MA2506W2-S2.5	MA2506W4-S2.5	MA2506K1-S2.5	MA2506K2-S2.5	6"	2.2	1
5.5	MA2509C-S2.5	MA2509B-S2.5	MA2509W1-S2.5	MA2509W2-S2.5	MA2509W4-S2.5	MA2509K1-S2.5	MA2509K2-S2.5	9"	2.6	1.19
8.5	MA2512C-S2.5	MA2512B-S2.5	MA2512W1-S2.5	MA2512W2-S2.5	MA2512W4-S2.5	MA2512K1-S2.5	MA2512K2-S2.5	12"	2.9	1.32
11.5	MA2515C-S2.5	MA2515B-S2.5	MA2515W1-S2.5	MA2515W2-S2.5	MA2515W4-S2.5	MA2515K1-S2.5	MA2515K2-S2.5	15"	3.3	1.5
14.5	MA2518C-S2.5	MA2518B-S2.5	MA2518W1-S2.5	MA2518W2-S2.5	MA2518W4-S2.5	MA2518K1-S2.5	MA2518K2-S2.5	18"	3.7	1.68
17.5	MA2521C-S2.5	MA2521B-S2.5	MA2521W1-S2.5	MA2521W2-S2.5	MA2521W4-S2.5	MA2521K1-S2.5	MA2521K2-S2.5	21"	4.1	1.86
20.5	MA2524C-S2.5	MA2524B-S2.5	MA2524W1-S2.5	MA2524W2-S2.5	MA2524W4-S2.5	MA2524K1-S2.5	MA2524K2-S2.5	24"	4.4	2

Base Price includes Body, Leadscrew w/Coupling, Slider, Drive Nut, and NEMA 23 Motor Plate (Limit Switches are not included)

See "Limits" for other Limit Switch Options

MA25 Motor Ready UniSlide® without Limits - Precision Lead Screw

Travel Inches	Item Number							Base Length	Weight	
	40 Turns	20 Turns	10 Turns	5 Turns	2.5 Turns	10 Turns	5 Turns		(lbs)	(kg)
	Inch (0.025"/Rev)	Inch (0.050"/Rev)	Inch (0.100"/Rev)	Inch (0.200"/Rev)	Inch (0.400"/Rev)	cm (1 mm/rev)	cm (2 mm/Rev)			
0.5	MA2504P40-S2.5	MA2504P20-S2.5	MA2504P10-S2.5	MA2504P5-S2.5	MA2504P2.5-S2.5	MA2504Q1-S2.5	MA2504Q2-S2.5	4"	1.8	0.82
2.5	MA2506P40-S2.5	MA2506P20-S2.5	MA2506P10-S2.5	MA2506P5-S2.5	MA2506P2.5-S2.5	MA2506Q1-S2.5	MA2506Q2-S2.5	6"	2.2	1
5.5	MA2509P40-S2.5	MA2509P20-S2.5	MA2509P10-S2.5	MA2509P5-S2.5	MA2509P2.5-S2.5	MA2509Q1-S2.5	MA2509Q2-S2.5	9"	2.6	1.19
8.5	MA2512P40-S2.5	MA2512P20-S2.5	MA2512P10-S2.5	MA2512P5-S2.5	MA2512P2.5-S2.5	MA2512Q1-S2.5	MA2512Q2-S2.5	12"	2.9	1.32
11.5	MA2515P40-S2.5	MA2515P20-S2.5	MA2515P10-S2.5	MA2515P5-S2.5	MA2515P2.5-S2.5	MA2515Q1-S2.5	MA2515Q2-S2.5	15"	3.3	1.5
14.5	MA2518P40-S2.5	MA2518P20-S2.5	MA2518P10-S2.5	MA2518P5-S2.5	MA2518P2.5-S2.5	MA2518Q1-S2.5	MA2518Q2-S2.5	18"	3.7	1.68
17.5	MA2521P40-S2.5	MA2521P20-S2.5	MA2521P10-S2.5	MA2521P5-S2.5	MA2521P2.5-S2.5	MA2521Q1-S2.5	MA2521Q2-S2.5	21"	4.1	1.86
20.5	MA2524P40-S2.5	MA2524P20-S2.5	MA2524P10-S2.5	MA2524P5-S2.5	MA2524P2.5-S2.5	MA2524Q1-S2.5	MA2524Q2-S2.5	24"	4.4	2

Base Price includes Body, Lead Screw w/Coupling, Slider, Drive Nut, and NEMA 23 Motor Plate (Limit Switches are not included)

See "Limits" for other Limit Switch Options

MA25 Options

Part Number		Description
P/N Prefix	P/N Suffix	
	S3	3 inch Slider
	S4	4 inch slider
Z		Hard Anodized, Body only, Dyed Black *
	BK	Black Anodize, All except lead screw *
N		Electroless Nickel, All except lead screw *
	WC	Way Covers

* Note: Anodizing and Electroless Nickel options are subject to minimum lot charge



"Positioning Systems for Science and Industry"

Motor Ready UniSlide® MA40 Series

MA40 Motor Ready Precision UniSlide® without Limits - Standard Lead Screw

Travel Inches	40 Turns Inch (0.025"/Rev)	20 Turns Inch (0.050"/Rev)	10 Turns Inch (0.100"/Rev)	5 Turns Inch (0.200"/Rev)	2.5 Turns Inch (0.400"/Rev)	10 Turns cm (1 mm/rev)	5 Turns cm (2 mm/Rev)	Base Length	Weight (lbs)	Weight (kg)
1	MA4006C-S4	MA4006B-S4	MA4006W1-S4	MA4006W2-S4	MA4006W4-S4	MA4006K1-S4	MA4006K2-S4	6"	3.1	1.41
4	MA4009C-S4	MA4009B-S4	MA4009W1-S4	MA4009W2-S4	MA4009W4-S4	MA4009K1-S4	MA4009K2-S4	9"	4.1	1.86
7	MA4012C-S4	MA4012B-S4	MA4012W1-S4	MA4012W2-S4	MA4012W4-S4	MA4012K1-S4	MA4012K2-S4	12"	5.0	2.27
10	MA4015C-S4	MA4015B-S4	MA4015W1-S4	MA4015W2-S4	MA4015W4-S4	MA4015K1-S4	MA4015K2-S4	15"	5.9	2.68
13	MA4018C-S4	MA4018B-S4	MA4018W1-S4	MA4018W2-S4	MA4018W4-S4	MA4018K1-S4	MA4018K2-S4	18"	6.8	3.08
16	MA4021C-S4	MA4021B-S4	MA4021W1-S4	MA4021W2-S4	MA4021W4-S4	MA4021K1-S4	MA4021K2-S4	21"	7.8	3.54
19	MA4024C-S4	MA4024B-S4	MA4024W1-S4	MA4024W2-S4	MA4024W4-S4	MA4024K1-S4	MA4024K2-S4	24"	8.7	3.95
22	MA4027C-S4	MA4027B-S4	MA4027W1-S4	MA4027W2-S4	MA4027W4-S4	MA4027K1-S4	MA4027K2-S4	27"	9.6	4.35
25	MA4030C-S4	MA4030B-S4	MA4030W1-S4	MA4030W2-S4	MA4030W4-S4	MA4030K1-S4	MA4030K2-S4	30"	10.6	4.81
28	MA4033C-S4	MA4033B-S4	MA4033W1-S4	MA4033W2-S4	MA4033W4-S4	MA4033K1-S4	MA4033K2-S4	33"	11.5	5.23
31	MA4036C-S4	MA4036B-S4	MA4036W1-S4	MA4036W2-S4	MA4036W4-S4	MA4036K1-S4	MA4036K2-S4	36"	12.4	5.62

Base Price includes Body, Leadscrew w/Coupling, Slider, Drive Nut, and Motor Plate (Limit Switches are not included)
See "Limits" for other Limit Switch Options

MA40 Motor Ready UniSlide® without Limits - Precision Lead Screw

Travel Inches	40 Turns Inch (0.025"/Rev)	20 Turns Inch (0.050"/Rev)	10 Turns Inch (0.100"/Rev)	5 Turns Inch (0.200"/Rev)	2.5 Turns Inch (0.400"/Rev)	10 Turns cm (1 mm/rev)	5 Turns cm (2 mm/Rev)	Base Length	Weight (lbs)	Weight (kg)
1	MA4006P40S4	MA4006P20-S4	MA4006P10-S4	MA4006P5-S4	MA4006P2.5-S4	MA4006Q1-S4	MA4006Q2-S4	6"	3.1	1.41
4	MA4009P40-S4	MA4009P20-S4	MA4009P10-S4	MA4009P5-S4	MA4009P2.5-S4	MA4009Q1-S4	MA4009Q2-S4	9"	4.1	1.86
7	MA4012P40-S4	MA4012P20-S4	MA4012P10-S4	MA4012P5-S4	MA4012P2.5-S4	MA4012Q1-S4	MA4012Q2-S4	12"	5.0	2.27
10	MA4015P40-S4	MA4015P20-S4	MA4015P10-S4	MA4015P5-S4	MA4015P2.5-S4	MA4015Q1-S4	MA4015Q2-S4	15"	5.9	2.68
13	MA4018P40-S4	MA4018P20-S4	MA4018P10-S4	MA4018P5-S4	MA4018P2.5-S4	MA4018Q1-S4	MA4018Q2-S4	18"	6.8	3.08
16	MA4021P40-S4	MA4021P20-S4	MA4021P10-S4	MA4021P5-S4	MA4021P2.5-S4	MA4021Q1-S4	MA4021Q2-S4	21"	7.8	3.54
19	MA4024P40-S4	MA4024P20-S4	MA4024P10-S4	MA4024P5-S4	MA4024P2.5-S4	MA4024Q1-S4	MA4024Q2-S4	24"	8.7	3.95
22	MA4027P40-S4	MA4027P20-S4	MA4027P10-S4	MA4027P5-S4	MA4027P2.5-S4	MA4027Q1-S4	MA4027Q2-S4	27"	9.6	4.35
25	MA4030P40-S4	MA4030P20-S4	MA4030P10-S4	MA4030P5-S4	MA4030P2.5-S4	MA4030Q1-S4	MA4030Q2-S4	30"	10.6	4.81
28	MA4033P40-S4	MA4033P20-S4	MA4033P10-S4	MA4033P5-S4	MA4033P2.5-S4	MA4033Q1-S4	MA4033Q2-S4	33"	11.5	5.23
31	MA4036P40-S4	MA4036P20-S4	MA4036P10-S4	MA4036P5-S4	MA4036P2.5-S4	MA4036Q1-S4	MA4036Q2-S4	36"	12.4	5.62

Base Price includes Body, Lead Screw w/Coupling, Slider, Drive Nut, and Motor Plate (Limit Switches are not included)
See "Limits" for other Limit Switch Options

MA40 Options

Part Number		Description
P/N Prefix	P/N Suffix	
	S6	6 inch Slider
Z		Hard Anodized, Body only, Dyed Black *
	BK	Black Anodize, All except lead screw *
N		Electroless Nickel, All except lead screw *
	WC	Way Covers

* Note: Anodizing and Electroless Nickel options are subject to minimum lot charge



"Positioning Systems for Science and Industry"

Motor-Ready UniSlide® MA60 Series

MA60 Motor Ready UniSlide® without Limits - Standard Lead Screw

Travel Inches	Item Number							Base Length	Weight	
	40 Turns	20 Turns	10 Turns	5 Turns	2.5 Turns	10 Turns	5 Turns		(lbs)	kg
	Inch	Inch	Inch	Inch	Inch	cm	cm			
	(0.025"/Rev)	(0.050"/Rev)	(0.100"/Rev)	(0.200"/Rev)	(0.400"/Rev)	(1 mm/rev)	(2 mm/Rev)			
2	MA6009C-S6	MA6009B-S6	MA6009W1-S6	MA6009W2-S6	MA6009W4-S6	MA6009K1-S6	MA6009K2-S6	9	6.6	2.99
5	MA6012C-S6	MA6012B-S6	MA6012W1-S6	MA6012W2-S6	MA6012W4-S6	MA6012K1-S6	MA6012K2-S6	12	8.2	3.72
8	MA6015C-S6	MA6015B-S6	MA6015W1-S6	MA6015W2-S6	MA6015W4-S6	MA6015K1-S6	MA6015K2-S6	15	9.8	4.45
11	MA6018C-S6	MA6018B-S6	MA6018W1-S6	MA6018W2-S6	MA6018W4-S6	MA6018K1-S6	MA6018K2-S6	18	11.4	5.17
14	MA6021C-S6	MA6021B-S6	MA6021W1-S6	MA6021W2-S6	MA6021W4-S6	MA6021K1-S6	MA6021K2-S6	21	13.1	5.94
17	MA6024C-S6	MA6024B-S6	MA6024W1-S6	MA6024W2-S6	MA6024W4-S6	MA6024K1-S6	MA6024K2-S6	24	14.7	6.67
20	MA6027C-S6	MA6027B-S6	MA6027W1-S6	MA6027W2-S6	MA6027W4-S6	MA6027K1-S6	MA6027K2-S6	27	16.3	7.39
23	MA6030C-S6	MA6030B-S6	MA6030W1-S6	MA6030W2-S6	MA6030W4-S6	MA6030K1-S6	MA6030K2-S6	30	17.9	8.12
26	MA6033C-S6	MA6033B-S6	MA6033W1-S6	MA6033W2-S6	MA6033W4-S6	MA6033K1-S6	MA6033K2-S6	33	19.6	8.89
29	MA6036C-S6	MA6036B-S6	MA6036W1-S6	MA6036W2-S6	MA6036W4-S6	MA6036K1-S6	MA6036K2-S6	36	21.2	9.62
32	MA6039C-S6	MA6039B-S6	MA6039W1-S6	MA6039W2-S6	MA6039W4-S6	MA6039K1-S6	MA6039K2-S6	39	22.8	10.34
35	MA6042C-S6	MA6042B-S6	MA6042W1-S6	MA6042W2-S6	MA6042W4-S6	MA6042K1-S6	MA6042K2-S6	42	24.4	11.07
38	MA6045C-S6	MA6045B-S6	MA6045W1-S6	MA6045W2-S6	MA6045W4-S6	MA6045K1-S6	MA6045K2-S6	45	26.1	11.84
41	MA6048C-S6	MA6048B-S6	MA6048W1-S6	MA6048W2-S6	MA6048W4-S6	MA6048K1-S6	MA6048K2-S6	48	27.7	12.56

Base Price includes Body, Lead Screw w/Coupling, Slider, Drive Nut, and Motor Plate (Limit Switches are not included)
See "Accessories" > "Limit Switches" for Limit Switch Options

MA60 Motor Ready UniSlide® without Limits - Precision Lead Screw

Travel Inches	Item Number							Base Length	Weight	
	40 Turns	20 Turns	10 Turns	5 Turns	2.5 Turns	10 Turns	5 Turns		(lbs)	kg
	Inch	Inch	Inch	Inch	Inch	cm	cm			
	(0.025"/Rev)	(0.050"/Rev)	(0.100"/Rev)	(0.200"/Rev)	(0.400"/Rev)	(1 mm/rev)	(2 mm/Rev)			
2	MA6009P40-S6	MA6009P20-S6	MA6009P10-S6	MA6009P5-S6	MA6009P2.5-S6	MA6009Q1-S6	MA6009Q2-S6	9	6.6	2.99
5	MA6012P40-S6	MA6012P20-S6	MA6012P10-S6	MA6012P5-S6	MA6012P2.5-S6	MA6012Q1-S6	MA6012Q2-S6	12	8.2	3.72
8	MA6015P40-S6	MA6015P20-S6	MA6015P10-S6	MA6015P5-S6	MA6015P2.5-S6	MA6015Q1-S6	MA6015Q2-S6	15	9.8	4.45
11	MA6018P40-S6	MA6018P20-S6	MA6018P10-S6	MA6018P5-S6	MA6018P2.5-S6	MA6018Q1-S6	MA6018Q2-S6	18	11.4	5.17
14	MA6021P40-S6	MA6021P20-S6	MA6021P10-S6	MA6021P5-S6	MA6021P2.5-S6	MA6021Q1-S6	MA6021Q2-S6	21	13.1	5.94
17	MA6024P40-S6	MA6024P20-S6	MA6024P10-S6	MA6024P5-S6	MA6024P2.5-S6	MA6024Q1-S6	MA6024Q2-S6	24	14.7	6.67
20	MA6027P40-S6	MA6027P20-S6	MA6027P10-S6	MA6027P5-S6	MA6027P2.5-S6	MA6027Q1-S6	MA6027Q2-S6	27	16.3	7.39
23	MA6030P40-S6	MA6030P20-S6	MA6030P10-S6	MA6030P5-S6	MA6030P2.5-S6	MA6030Q1-S6	MA6030Q2-S6	30	17.9	8.12
26	MA6033P40-S6	MA6033P20-S6	MA6033P10-S6	MA6033P5-S6	MA6033P2.5-S6	MA6033Q1-S6	MA6033Q2-S6	33	19.6	8.89
29	MA6036P40-S6	MA6036P20-S6	MA6036P10-S6	MA6036P5-S6	MA6036P2.5-S6	MA6036Q1-S6	MA6036Q2-S6	36	21.2	9.62
32	MA6039P40-S6	MA6039P20-S6	MA6039P10-S6	MA6039P5-S6	MA6039P2.5-S6	MA6039Q1-S6	MA6039Q2-S6	39	22.8	10.34
35	MA6042P40-S6	MA6042P20-S6	MA6042P10-S6	MA6042P5-S6	MA6042P2.5-S6	MA6042Q1-S6	MA6042Q2-S6	42	24.4	11.07
38	MA6045P40-S6	MA6045P20-S6	MA6045P10-S6	MA6045P5-S6	MA6045P2.5-S6	MA6045Q1-S6	MA6045Q2-S6	45	26.1	11.84
41	MA6048P40-S6	MA6048P20-S6	MA6048P10-S6	MA6048P5-S6	MA6048P2.5-S6	MA6048Q1-S6	MA6048Q2-S6	48	27.7	12.56

Base Price includes Body, Lead Screw w/Coupling, Slider, Drive Nut, and Motor Plate (Limit Switches are not included)
See "Limits" for other Limit Switch Options

MA60 Options

Part Number	Description
P/N Prefix	P/N Suffix
Z	S8 8 inch Slider
	BK Hard Anodized, Body only, Dyed Black *
N	BK Black Anodize, All except lead screw *
	WC Electroless Nickel, All except lead screw *
	WC Way Covers

* Note: Anodizing and Electroless Nickel options are subject to minimum lot charge



"Positioning Systems for Science and Industry"

Motor-Ready UniSlide® MB90 Series

MB90 Motor Ready UniSlide® with Internal Limits - Standard Lead Screw

Travel Inches	Item Number							Base Length	Weight	
	40 Turns Inch (0.025"/Rev)	20 Turns Inch (0.050"/Rev)	10 Turns Inch (0.100"/Rev)	5 Turns Inch (0.200"/Rev)	2.5 Turns Inch (0.400"/Rev)	10 Turns cm (1 mm/rev)	5 Turns cm (2 mm/Rev)		(lbs)	kg
3	MB9012CJ-S9	MB9012BJ-S9	MB9012W1J-S9	MB9012W2J-S9	MB9012W4J-S9	MB9012K1J-S9	MB9012K2J-S9	15"	21.3	9.66
6	MB9015CJ-S9	MB9015BJ-S9	MB9015W1J-S9	MB9015W2J-S9	MB9015W4J-S9	MB9015K1J-S9	MB9015K2J-S9	18"	24.6	11.16
9	MB9018CJ-S9	MB9018BJ-S9	MB9018W1J-S9	MB9018W2J-S9	MB9018W4J-S9	MB9018K1J-S9	MB9018K2J-S9	21"	28.1	12.75
12	MB9021CJ-S9	MB9021BJ-S9	MB9021W1J-S9	MB9021W2J-S9	MB9021W4J-S9	MB9021K1J-S9	MB9021K2J-S9	24"	31.5	14.29
15	MB9024CJ-S9	MB9024BJ-S9	MB9024W1J-S9	MB9024W2J-S9	MB9024W4J-S9	MB9024K1J-S9	MB9024K2J-S9	27"	35.0	15.86
18	MB9027CJ-S9	MB9027BJ-S9	MB9027W1J-S9	MB9027W2J-S9	MB9027W4J-S9	MB9027K1J-S9	MB9027K2J-S9	30"	38.4	13.61
21	MB9030CJ-S9	MB9030BJ-S9	MB9030W1J-S9	MB9030W2J-S9	MB9030W4J-S9	MB9030K1J-S9	MB9030K2J-S9	33"	41.8	18.96
24	MB9033CJ-S9	MB9033BJ-S9	MB9033W1J-S9	MB9033W2J-S9	MB9033W4J-S9	MB9033K1J-S9	MB9033K2J-S9	36"	45.3	20.55
27	MB9036CJ-S9	MB9036BJ-S9	MB9036W1J-S9	MB9036W2J-S9	MB9036W4J-S9	MB9036K1J-S9	MB9036K2J-S9	39"	48.4	21.95
30	MB9039CJ-S9	MB9039BJ-S9	MB9039W1J-S9	MB9039W2J-S9	MB9039W4J-S9	MB9039K1J-S9	MB9039K2J-S9	42"	52.1	23.63
33	MB9042CJ-S9	MB9042BJ-S9	MB9042W1J-S9	MB9042W2J-S9	MB9042W4J-S9	MB9042K1J-S9	MB9042K2J-S9	45"	55.8	25.31
36	MB9045CJ-S9	MB9045BJ-S9	MB9045W1J-S9	MB9045W2J-S9	MB9045W4J-S9	MB9045K1J-S9	MB9045K2J-S9	48"	59.0	26.76

Base Price includes Body, Lead Screw w/Coupling, Slider, Drive Nut, Internal Limit Switches and Motor Plate
 (Base length w/o Internal Limit Switches will be 3 inches shorter than listed above and travel may be reduced by 1 inch)
 See "Limits" for other Limit Switch Options
 Note: Crating charges may apply

MB90 Options

Part Number		Description
P/N Prefix	P/N Suffix	
	S12	12 inch Slider
Z		Hard Anodized, Body only, Dyed Black *
	BK	Black Anodize, All except lead screw *
N		Electroless Nickel, All except lead screw *
	WC	Way Covers

* Note: Anodizing and Electroless Nickel options are subject to minimum lot charge



"Positioning Systems for Science and Industry"

Motor-Ready UniSlide® MB90 Series

MB90 Motor Ready UniSlide® with Internal Limits - Precision Lead Screw

Travel Inches	Item Number								Base Length	Weight	
	40 Turns Inch (0.025"/Rev)	20 Turns Inch (0.050"/Rev)	10 Turns Inch (0.100"/Rev)	5 Turns Inch (0.200"/Rev)	2.5 Turns Inch (0.400"/Rev)	10 Turns cm (1 mm/rev)	5 Turns cm (2 mm/Rev)	(lbs)		kg	
3	MB9012P40J-S9	MB9012P20J-S9	MB9012P10J-S9	MB9012P5J-S9	MB9012P2.5J-S9	MB9012Q1J-S9	MB9012Q2J-S9	15"	21.3	9.66	
6	MB9015P40J-S9	MB9015P20J-S9	MB9015P10J-S9	MB9015P5J-S9	MB9015P2.5J-S9	MB9015Q1J-S9	MB9015Q2J-S9	18"	24.6	11.16	
9	MB9018P40J-S9	MB9018P20J-S9	MB9018P10J-S9	MB9018P5J-S9	MB9018P2.5J-S9	MB9018Q1J-S9	MB9018Q2J-S9	21"	28.1	12.75	
12	MB9021P40J-S9	MB9021P20J-S9	MB9021P10J-S9	MB9021P5J-S9	MB9021P2.5J-S9	MB9021Q1J-S9	MB9021Q2J-S9	24"	31.5	14.29	
15	MB9024P40J-S9	MB9024P20J-S9	MB9024P10J-S9	MB9024P5J-S9	MB9024P2.5J-S9	MB9024Q1J-S9	MB9024Q2J-S9	27"	35.0	15.86	
18	MB9027P40J-S9	MB9027P20J-S9	MB9027P10J-S9	MB9027P5J-S9	MB9027P2.5J-S9	MB9027Q1J-S9	MB9027Q2J-S9	30"	38.4	13.61	
21	MB9030P40J-S9	MB9030P20J-S9	MB9030P10J-S9	MB9030P5J-S9	MB9030P2.5J-S9	MB9030Q1J-S9	MB9030Q2J-S9	33"	41.8	18.96	
24	MB9033P40J-S9	MB9033P20J-S9	MB9033P10J-S9	MB9033P5J-S9	MB9033P2.5J-S9	MB9033Q1J-S9	MB9033Q2J-S9	36"	45.3	20.55	
27	MB9036P40J-S9	MB9036P20J-S9	MB9036P10J-S9	MB9036P5J-S9	MB9036P2.5J-S9	MB9036Q1J-S9	MB9036Q2J-S9	39"	48.4	21.95	
30	MB9039P40J-S9	MB9039P20J-S9	MB9039P10J-S9	MB9039P5J-S9	MB9039P2.5J-S9	MB9039Q1J-S9	MB9039Q2J-S9	42"	52.1	23.63	
33	MB9042P40J-S9	MB9042P20J-S9	MB9042P10J-S9	MB9042P5J-S9	MB9042P2.5J-S9	MB9042Q1J-S9	MB9042Q2J-S9	45"	55.8	25.31	
36	MB9045P40J-S9	MB9045P20J-S9	MB9045P10J-S9	MB9045P5J-S9	MB9045P2.5J-S9	MB9045Q1J-S9	MB9045Q2J-S9	48"	59.0	26.76	

Base Price includes Body, Lead Screw w/Coupling, Slider, Drive Nut, Internal Limit Switches and Motor Plate
 (Base length w/o Internal Limit Switches will be 3 inches shorter than listed above and travel may be reduced by 1 inch)
 See "Limits" for other Limit Switch Options
 Note: Crating charges may apply

MB90 Options

	Part Number	Description
	P/N Prefix P/N Suffix	
	S12	12 inch Slider
Z		Hard Anodized, Body only, Dyed Black *
	BK	Black Anodize, All except lead screw *
N		Electroless Nickel, All except lead screw *
	WC	Way Covers

* Note: Anodizing and Electroless Nickel options are subject to minimum lot charge



"Positioning Systems for Science and Industry"

Motor Ready UniSlide® XY Tables

MAXY40 Motor Ready Assembled UniSlide® XY Tables Standard Lead Screw (Inch)

Travel Inches	Item Number					Plates Top & Base	Maximum Load		Weight	
	40 Turns Inch (0.025"/Rev)	20 Turns Inch (0.050"/Rev)	10 Turns Inch (0.100"/Rev)	5 Turns Inch (0.200"/Rev)	2.5 Turns Inch (0.400"/Rev)		(lbs)	kg	(lbs)	kg
2 x 2	MAXY4006C-S4	MAXY4006B-S4	MAXY4006W1-S4	MAXY4006W2-S4	MAXY4006W4-S4	6" x 6"	60 lb	27.2	23.0	10.4
5 x 5	MAXY4009C-S4	MAXY4009B-S4	MAXY4009W1-S4	MAXY4009W2-S4	MAXY4009W4-S4	9" x 9"	25 lb	11.3	25.0	11.3

Base Price includes Body, Leadscrew w/Coupling, Slider, Drive Nut, and NEMA 23 Motor Plate (Limit Switches are not included)
See "Limits" for other Limit Switch Options

MAXY40 Motor Ready Assembled UniSlide® XY Tables Standard Lead Screw (Metric)

Travel Inches	Item Number		Plates Top & Base	Maximum Load		Weight	
	10 Turns cm (1 mm/rev)	5 Turns cm (2 mm/Rev)		(lbs)	kg	(lbs)	kg
2 x 2	MAXY4006K1-S4	MAXY4006K2-S4	6" x 6"	60 lb	27.2	23.0	10.4
5 x 5	MAXY4009K1-S4	MAXY4009K2-S4	9" x 9"	25 lb	11.3	25.0	11.3

Base Price includes Body, Leadscrew w/Coupling, Slider, Drive Nut, and NEMA 23 Motor Plate (Limit Switches are not included)
See "Limits" for other Limit Switch Options

MAXY40 Motor Ready Assembled UniSlide® XY Tables Precision Lead Screw (Inch)

Travel Inches	Item Number					Plates Top & Base	Maximum Load		Weight	
	40 Turns Inch (0.025"/Rev)	20 Turns Inch (0.050"/Rev)	10 Turns Inch (0.100"/Rev)	5 Turns Inch (0.200"/Rev)	2.5 Turns Inch (0.400"/Rev)		(lbs)	kg	(lbs)	kg
2 x 2	MAXY4006P40-S4	MAXY4006P20-S4	MAXY4006P10-S4	MAXY4006P5-S4	MAXY4006P2.5-S4	6" x 6"	60 lb	27.2	23.0	10.4
5 x 5	MAXY4009P40-S4	MAXY4009P20-S4	MAXY4009P10-S4	MAXY4009P5-S4	MAXY4009P2.5-S4	9" x 9"	25 lb	11.3	25.0	11.3

Base Price includes Body, Leadscrew w/Coupling, Slider, Drive Nut, and NEMA 23 Motor Plate (Limit Switches are not included)
See "Limits" for other Limit Switch Options

MAXY40 Motor Ready Assembled UNISLIDE XY Tables Precision Lead Screw (Metric)

Travel Inches	Item Number		Plates Top & Base	Maximum Load		Weight	
	10 Turns cm (1 mm/rev)	5 Turns cm (2 mm/Rev)		(lbs)	kg	(lbs)	kg
2 x 2	MAXY4006Q1-S4	MAXY4006Q2-S4	6" x 6"	60 lb	27.2	23.0	10.4
5 x 5	MAXY4009Q1-S4	MAXY4009Q2-S4	9" x 9"	25 lb	11.3	25.0	11.3

Base Price includes Body, Lead Screw w/Coupling, Slider, Drive Nut, and NEMA 23 Motor Plate (Limit Switches are not included)
See "Limits" for other Limit Switch Options

MAXY40 Options

Part Number		Description
P/N Prefix	P/N Suffix	
Z		Hard Anodized, Body only, Dyed Black *
	BK	Black Anodize, All except lead screw *
N		Electroless Nickel, All except lead screw *
	WC	Way Covers

* Note: Anodizing and Electroless Nickel options are subject to minimum lot charge



"Positioning Systems for Science and Industry"

Motor Ready UniSlide® XY Tables

MAXY60 Motor Ready Assembled UniSlide® XY Tables Standard Lead Screw (Inch)

Travel Inches	Item Number					Plates Top & Base	Maximum Load		Weight	
	40 Turns Inch (0.025"/Rev)	20 Turns Inch (0.050"/Rev)	10 Turns Inch (0.100"/Rev)	5 Turns Inch (0.200"/Rev)	2.5 Turns Inch (0.400"/Rev)		(lbs)	kg	(lbs)	kg
3 x 3	MAXY6009C-S6	MAXY6009B-S6	MAXY6009W1-S6	MAXY6009W2-S6	MAXY6009W4-S6	9" x 9"	100 lb	45.4	30	13.60
6 x 6	MAXY6012C-S6	MAXY6012B-S6	MAXY6012W1-S6	MAXY6012W2-S6	MAXY6012W4-S6	12" x 12"	60 lb	27.2	38	17.24
9 x 9	MAXY6015C-S6	MAXY6015B-S6	MAXY6015W1-S6	MAXY6015W2-S6	MAXY6015W4-S6	12" x 12"	30 lb	13.6	46	20.87

Base Price includes Body, Lead Screw w/Coupling, Slider, Drive Nut, and Motor Plate (Limit Switches are not included)
See "Limits" for other Limit Switch Options

MAXY60 Motor Ready Assembled UniSlide® XY Tables Standard Lead Screw (Metric)

Travel Inches	Item Number		Plates Top & Base	Maximum Load		Weight	
	10 Turns cm (1 mm/rev)	5 Turns cm (2 mm/Rev)		(lbs)	kg	(lbs)	kg
3 x 3	MAXY6009K1-S6	MAXY6009K2-S6	9" x 9"	100 lb	45.4	30	13.60
6 x 6	MAXY6012K1-S6	MAXY6012K2-S6	12" x 12"	60 lb	27.2	38	17.24
9 x 9	MAXY6015K1-S6	MAXY6015K2-S6	12" x 12"	30 lb	13.6	46	20.87

Base Price includes Body, Leadscrew w/Coupling, Slider, Drive Nut, and Motor Plate (Limit Switches are not included)
See "Limits" for other Limit Switch Options

MAXY60 Motor Ready Assembled UniSlide® XY Tables Precision Lead Screw (Inch)

Travel Inches	Item Number					Plates Top & Base	Maximum Load		Weight	
	40 Turns Inch (0.025"/Rev)	20 Turns Inch (0.050"/Rev)	10 Turns Inch (0.100"/Rev)	5 Turns Inch (0.200"/Rev)	2.5 Turns Inch (0.400"/Rev)		(lbs)	kg	(lbs)	kg
3 x 3	MAXY6009P40-S6	MAXY6009P20-S6	MAXY6009P10-S6	MAXY6009P5-S6	MAXY6009P2.5-S6	9" x 9"	100 lb	45.4	30	13.60
6 x 6	MAXY6012P40-S6	MAXY6012P20-S6	MAXY6012P10-S6	MAXY6012P5-S6	MAXY6012P2.5-S6	12" x 12"	60 lb	27.2	38	17.24
9 x 9	MAXY6015P40-S6	MAXY6015P20-S6	MAXY6015P10-S6	MAXY6015P5-S6	MAXY6015P2.5-S6	12" x 12"	30 lb	13.6	46	20.87

Base Price includes Body, Lead Screw w/Coupling, Slider, Drive Nut, and Motor Plate (Limit Switches are not included)
See "Limits" for other Limit Switch Options

MAXY60 Motor Ready Assembled UniSlide® XY Tables Precision Lead Screw (Metric)

Travel Inches	Item Number		Plates Top & Base	Maximum Load		Weight	
	10 Turns cm (1 mm/rev)	5 Turns cm (2 mm/Rev)		(lbs)	kg	(lbs)	kg
3 x 3	MAXY6009Q1-S6	MAXY6009Q2-S6	9" x 9"	100 lb	45.4	30	13.60
6 x 6	MAXY6012Q1-S6	MAXY6012Q2-S6	12" x 12"	60 lb	27.2	38	17.24
9 x 9	MAXY6015Q1-S6	MAXY6015Q2-S6	12" x 12"	30 lb	13.6	46	20.87

Base Price includes Body, Lead Screw w/Coupling, Slider, Drive Nut, and Motor Plate (Limit Switches are not included)
See "Limits" for other Limit Switch Options

MAXY60 Options

Part Number		Description
P/N Prefix	P/N Suffix	
Z		Hard Anodized, Body only, Dyed Black *
	BK	Black Anodize, All except lead screw *
N		Electroless Nickel, All except lead screw *
	WC	Way Covers

* Note: Anodizing and Electroless Nickel options are subject to minimum lot charge



"Positioning Systems for Science and Industry"

Adapter Plates and Brackets for Motor-Driven UniSlides®

Item Number	Description	Weight	
		(lbs)	kg
Adapters - MA1500 Series			
A1500XY	A1500XY Adapter Plate - For XY coordinate motion of two MA1500 UniSlides®. Ht. Is 3/16" (Old PN 3-7308)	0.3	0.14
Adapters - MB/MA2500 Series (8)			
A2500XY	A2500XY Adapter Plate - For XY coordinate motion with any 2500 Series UniSlide® as the base or lower unit and any 2500 or 1500 Series UniSlide® as the upper cross slide. Ht is 1/4". (Old PN 3-7310)	0.3	0.14
A2501XZ	A2501XZ Adapter Bracket - Adapts any 2500 or 1500 Series UniSlide®, 6" to 9" TBL(9), as a vertical unit with any 2500 Series UniSlide® as the base or lower unit. Ht is 6 1/4". (Old PN 3-851)	1.0	0.45
B2503XZ	B2503XZ Adapter Bracket - Adapts any 2500 or 1500 Series UniSlide®, over 9" TBL(9), as a vertical unit with any 2500 Series UniSlide® as the base or lower unit. Ht is 12 1/4". (Old PN 3-762)	1.4	0.64
Adapters - MB/MA4000 Series (8)			
A4000XY	A4000XY Adapter Plate - For XY coordinate motion with any 4000 Series UniSlide® as the base or lower unit and any 4000 or 2500 Series UniSlide® as the upper cross slide. Ht is 0.375". (Old PN 3-7311)	0.6	0.27
A4001XZ	A4001XZ Adapter Bracket - Adapts any 4000 or 2500 Series UniSlide®, 6" to 9" TBL(9), as a vertical unit with any 4000 or 2500 Series UniSlide® as the upper cross slide. Ht is 0.375". (Old PN 3-7311) <i>Also may be used to mount two B4800TS Rotary Tables at right angles. (add \$20.00)</i>	2.0	0.91
B4003XZ	B4003XZ Adapter Bracket - Adapts any 4000 or 2500 Series UniSlide®, 12" to 15" TBL(9), as a vertical unit with any 4000 or 6000 Series UniSlide® as the base or lower unit. Ht is 12 3/8". (Old PN 3-763)	3.0	1.36
B4004XZ	B4004XZ Adapter Bracket - Adapts any 4000 or 2500 Series UniSlide®, over 15" TBL(9), as a vertical unit with any 4000 or 6000 Series UniSlide® as the base or lower unit. Ht is 18 3/8". (Old PN 3-764)	4.3	1.95
Adapters - MB/MA6000 Series (8)			
A6000XY	A6000XY Adapter Plate - For XY coordinate motion with any 6000 Series UniSlide® as the base or lower unit and any 6000 or 4000 Series UniSlide® as the upper cross slide. Ht is 1/2". (Old PN 3-761)	1.2	0.54
A6001XZ	A6001XZ Adapter Bracket - Adapts any 6000 or 4000 Series UniSlide®, up to 12" TBL(9), as a vertical unit with any 6000 or 9000 Series UniSlide® as the base or lower unit. Ht is 9.5". (Old PN 3-853)	5.0	2.27
B6003XZ	B6003XZ Adapter Bracket - Adapts any 6000 or 4000 Series UniSlide®, 12" to 15" TBL(9), as a vertical unit with any 6000 or 9000 Series UniSlide® as the base or lower unit. Ht is 12.5". (Old PN 3-765)	5.3	2.40
B6004XZ	B6004XZ Adapter Bracket - Adapts any 6000 or 4000 Series UniSlide®, over 15" TBL(9), as a vertical unit with any 6000 or 9000 Series UniSlide® as the base or lower unit. Ht is 18.5". (Old PN 3-766)	7.1	3.22
Adapters - MB9000 Series (8)			
B9000XY	B9000XY Adapter Plate - For XY coordinate motion with any 9000 Series UniSlide® as the base or lower unit and any 9000 or 6000 Series UniSlide® as the upper cross slide. Ht is 1/2". (Old PN 3-854)	3.8	1.72
B9001XZ	B9001XZ Adapter Bracket - Adapts any 9000 or 6000 Series UniSlide®, up to 18" TBL(9), as a vertical unit with any 9000 Series UniSlide® as the base or lower unit. Ht is 15.5". (Old PN 3-855)	15.0	6.80
B9002XZ	B9002XZ Adapter Bracket - Adapts any 9000 or 6000 Series UniSlide®, 21" to 24" TBL(9), as a vertical unit with any 9000 Series UniSlide® as the base or lower unit. Ht is 21.5". (Old PN 3-856)	17.0	7.71
B9003XZ	B9003XZ Adapter Bracket - Adapts any 9000 or 6000 Series UniSlide®, over 24" TBL(9), as a vertical unit with any 9000 Series UniSlide® as the base or lower unit. Ht is 27.5". (Old PN 3-857)	18.0	8.16

(8) Any XZ Bracket to be used with a UniSlide® in "Motor Down" configuration must be noted when ordering. (Add \$50.00)

(9) TBL=Total Body Length (Nominal Length + 3 inches for Internal Limit Switches - if included)

(10) Optional plating may be subject to minimum lot charge



"Positioning Systems for Science and Industry"

Velmex Encoders

Linear Encoders for UniSlide® and BiSlide® Stages*

* Not available on Manual A15 or A25 Series or Motor-Driven MA15, MA25 or MB25 Series. Also not available on Xslides®

Inductive Linear Encoders

Travel Inches	Item Number	Description	Weight	
			(lbs)	kg
3"	ENCINDL1-03	AMO Inductive Scale Linear Encoder, 1um	0.08	0.04
6"	ENCINDL1-06	AMO Inductive Scale Linear Encoder, 1um	0.08	0.04
9"	ENCINDL1-09	AMO Inductive Scale Linear Encoder, 1um	0.08	0.04
12'	ENCINDL1-12	AMO Inductive Scale Linear Encoder, 1um	0.08	0.04
15"	ENCINDL1-15	AMO Inductive Scale Linear Encoder, 1um	0.08	0.04
18"	ENCINDL1-18	AMO Inductive Scale Linear Encoder, 1um	0.08	0.04
21"	ENCINDL1-21	AMO Inductive Scale Linear Encoder, 1um	0.08	0.04
24"	ENCINDL1-24	AMO Inductive Scale Linear Encoder, 1um	0.1	0.045
27"	ENCINDL1-27	AMO Inductive Scale Linear Encoder, 1um	0.11	0.05
30"	ENCINDL1-30	AMO Inductive Scale Linear Encoder, 1um	0.11	0.05
33"	ENCINDL1-33	AMO Inductive Scale Linear Encoder, 1um	0.12	0.055
36"	ENCINDL1-36	AMO Inductive Scale Linear Encoder, 1um	0.21	0.06
39"	ENCINDL1-39	AMO Inductive Scale Linear Encoder, 1um	0.13	0.065
42"	ENCINDL1-42	AMO Inductive Scale Linear Encoder, 1um	0.14	0.065
45"	ENCINDL1-45	AMO Inductive Scale Linear Encoder, 1um	0.15	0.07
48"	ENCINDL1-48	AMO Inductive Scale Linear Encoder, 1um	0.17	0.075
51"	ENCINDL1-51	AMO Inductive Scale Linear Encoder, 1um	0.18	0.08
54"	ENCINDL1-54	AMO Inductive Scale Linear Encoder, 1um	0.2	0.09

Additional Travel Lengths:

ENCINDL1-xx* AMO Linear Encoder, 3M cable
 *xx=inch of travel

Magnetic Linear Encoders

Travel Inches	Item Number	Description	Weight	
			(lbs)	kg
5"	ENCMAGL1-05	Elgo Magnetic Encoder EMIX23-000-03.0-0001-11 for 5" BiSlide	0.08	0.04
5"	ENCMAGL1-05-CV	Elgo Magnetic Encoder EMIX23-000-03.0-0001-11 for 5" BiSlide – VRO Connector	0.08	0.04
10"	ENCMAGL1-10	Elgo Magnetic Encoder EMIX23-000-03.0-0001-11 for 10" BiSlide	0.08	0.04
10"	ENCMAGL1-10-CV	Elgo Magnetic Encoder EMIX23-000-03.0-0001-11 for 10" BiSlide – VRO Connector	0.08	0.04
15"	ENCMAGL1-15	Elgo Magnetic Encoder EMIX23-000-03.0-0001-11 for 15" BiSlide	0.08	0.04
15"	ENCMAGL1-15-CV	Elgo Magnetic Encoder EMIX23-000-03.0-0001-11 for 15" BiSlide – VRO Connector	0.08	0.04
20"	ENCMAGL1-20	Elgo Magnetic Encoder EMIX23-000-03.0-0001-11 for 20" BiSlide	0.08	0.04
20"	ENCMAGL1-20-CV	Elgo Magnetic Encoder EMIX23-000-03.0-0001-11 for 20" BiSlide – VRO Connector	0.08	0.04
30"	ENCMAGL1-30	Elgo Magnetic Encoder EMIX23-000-03.0-0001-11 for 30" BiSlide	0.11	0.05
30"	ENCMAGL1-30-CV	Elgo Magnetic Encoder EMIX23-000-03.0-0001-11 for 30" BiSlide – VRO Connector	0.11	0.05
40"	ENCMAGL1-40	Elgo Magnetic Encoder EMIX23-000-03.0-0001-11 for 40" BiSlide	0.14	0.065
40"	ENCMAGL1-40-CV	Elgo Magnetic Encoder EMIX23-000-03.0-0001-11 for 40" BiSlide – VRO Connector	0.14	0.065
50"	ENCMAGL1-50	Elgo Magnetic Encoder EMIX23-000-03.0-0001-11 for 50" BiSlide	0.18	0.08
50"	ENCMAGL1-50-CV	Elgo Magnetic Encoder EMIX23-000-03.0-0001-11 for 50" BiSlide – VRO Connector	0.18	0.08
60"	ENCMAGL1-60	Elgo Magnetic Encoder EMIX23-000-03.0-0001-11 for 60" BiSlide	0.22	0.1
60"	ENCMAGL1-60-CV	Elgo Magnetic Encoder EMIX23-000-03.0-0001-11 for 60" BiSlide – VRO Connector	0.22	0.1
80"	ENCMAGL1-80	Elgo Magnetic Encoder EMIX23-000-03.0-0001-11 for 80" BiSlide	0.29	0.13
80"	ENCMAGL1-80-CV	Elgo Magnetic Encoder EMIX23-000-03.0-0001-11 for 80" BiSlide – VRO Connector	0.29	0.13
110"	ENCMAGL1-110	Elgo Magnetic Encoder EMIX23-000-03.0-0001-11 for 110" BiSlide	0.4	0.18
110"	ENCMAGL1-110-CV	Elgo Magnetic Encoder EMIX23-000-03.0-0001-11 for 110" BiSlide – VRO Connector	0.4	0.18



"Positioning Systems for Science and Industry"

Travel Inches	Item Number	Description	Weight	
			(lbs)	kg
120"	ENCMAGL1-120	Elgo Magnetic Encoder EMIX23-000-03.0-0001-01 for 120" BiSlide	0.44	0.2
120"	ENCMAGL1-120-CV	Elgo Magnetic Encoder EMIX23-000-03.0-0001-01 for 120" BiSlide – VRO Connector	0.44	45.5
140"	ENCMAGL1-140	Elgo Magnetic Encoder EMIX23-000-03.0-0001-11 for 140" BiSlide	0.51	0.23
140"	ENCMAGL1-140-CV	Elgo Magnetic Encoder EMIX23-000-03.0-0001-11 for 140" BiSlide – VRO Connector	0.51	0.23
160"	ENCMAGL1-160	Elgo Magnetic Encoder EMIX23-000-03.0-0001-11 for 160" BiSlide	0.57	0.26
160"	ENCMAGL1-160-CV	Elgo Magnetic Encoder EMIX23-000-03.0-0001-11 for 160" BiSlide – VRO Connector	0.57	0.26
180"	ENCMAGL1-180	Elgo Magnetic Encoder EMIX23-000-03.0-0001-11 for 180" BiSlide	0.64	0.29
180"	ENCMAGL1-180-CV	Elgo Magnetic Encoder EMIX23-000-03.0-0001-11 for 180" BiSlide – VRO Connector	0.64	0.29
220"	ENCMAGL1-220	Elgo Magnetic Encoder EMIX23-000-03.0-0001-01 for 220" BiSlide	0.77	0.35
220"	ENCMAGL1-220-CV	Elgo Magnetic Encoder EMIX23-000-03.0-0001-01 for 220" BiSlide – VRO Connector	0.77	0.35
228"	ENCMAGL1-228	Elgo Magnetic Encoder EMIX23-000-03.0-0001-11 for 228" BiSlide	0.79	0.36
228"	ENCMAGL1-228-CV	Elgo Magnetic Encoder EMIX23-000-03.0-0001-11 for 228" BiSlide – VRO Connector	0.79	0.36

Additional Travel Lengths:

ENCMAGL1-xx* ELGO Linear Encoder, 3M cable
 *xx=inch of travel

Rotary Encoders

Rotary Encoders for NEMA 17 Motors			Weight	
			(lbs)	kg
15T-06 SB-0100 N 5 Q HV-M03	EPC Rotary Encoder, 5mm bore, 100 CPR, 3M cable		0.2	0.09
15T-06 SB-0200 N 5 Q HV-M03	EPC Rotary Encoder, 5mm bore, 200 CPR, 3M cable		0.2	0.09
15T-06 SB-0400 N 5 Q HV-M03	EPC Rotary Encoder, 5mm bore, 400 CPR, 3M cable		0.2	0.09
15T-06 SB-0500 N 5 Q HV-M03	EPC Rotary Encoder, 5mm bore, 500 CPR, 3M cable		0.2	0.09

Rotary Encoders for NEMA 23 Motors			Weight	
			(lbs)	kg
15T-01 SF-0100 N 5 Q HV-M03	EPC Rotary Encoder, 1/4" bore, 100 CPR, 3M cable		0.2	0.09
15T-01 SF-0200 N 5 Q HV-M03	EPC Rotary Encoder, 1/4" bore, 200 CPR, 3M cable		0.2	0.09
15T-01 SF-0400 N 5 Q HV-M03	EPC Rotary Encoder, 1/4" bore, 400 CPR, 3M cable		0.2	0.09
15T-01 SF-0500 N 5 Q HV-M03	EPC Rotary Encoder, 1/4" bore, 500 CPR, 3M cable		0.2	0.09

Rotary Encoders for NEMA 34 Motors			Weight	
			(lbs)	kg
15T-02 SF-0100 N 5 Q HV-M03	EPC Rotary Encoder, 3/8" bore, 100 CPR, 3M cable		0.2	0.09
15T-02 SF-0200 N 5 Q HV-M03	EPC Rotary Encoder, 3/8" bore, 200 CPR, 3M cable		0.2	0.09
15T-02 SF-0400 N 5 Q HV-M03	EPC Rotary Encoder, 3/8" bore, 400 CPR, 3M cable		0.2	0.09
15T-02 SF-0500 N 5 Q HV-M03	EPC Rotary Encoder, 3/8" bore, 500 CPR, 3M cable		0.2	0.09

Digital Position Encoders / Cables (while supplies Last)			Weight	
			(lbs)	kg
HEDS5500-5m-xxx	Rotary encoder (HEDS style) for 5 mm shaft (NEMA 17 motor) (xxx = Counts/rev) (Old PN 3-918E-17-xxx)		0.3	0.14
HEDS5500-25-xxx	Rotary encoder (HEDS Style) for 0.25 inch shaft (NEMA 23 motor or UniSlide® LS Ext) (Old PN 3-918E-23-xxx)		0.3	0.14
MX212-38-xxx	Rotary encoder (BEI Style) for 0.375 inch shaft (NEMA 34 motor)(xxx=counts/rev) (Old PN 3-918E-34-xxx)		0.3	0.14
4-0740	Cable Assy, Encoder, HEDS, 10 ft unterminated		1.0	0.45
4-0741	Cable Assy, Encoder, BEI, 10 ft unterminated		1.0	0.45
4-0742	Cable Assy, Encoder, HEDS to Metronics QuadraChek, 10 ft		1.0	0.45
4-0743	Cable Assy, Encoder, BEI to Metronics QuadraChek, 10 ft		1.0	0.45

Metronics Quadra-Chek™ QCI10V & QC110, 120, 130 encoder readout/interface (Call Velmex for pricing)



"Positioning Systems for Science and Industry"

VRO™ Encoder Readout

Item Number	Description	Weight	
		oz.	g
VRO-1	One Axis Encoder Readout	16	459
VRO-2	Two Axis Encoder Readout	17	473
VRO-1B	One Axis Encoder Readout with Tilt Base	31	885
VRO-2B	Two Axis Encoder Readout with Tilt Base	32	899
VRO-1H	One Axis Encoder Readout with Hinge for T-Slot	17	482
VRO-2H	Two Axis Encoder Readout with Hinge for T-Slot	18	496

VRO Options

VRO-PWRSTRP	AC Power Strip for 1-3 VROs with Surge, Switch, 6ft
VRO-PLG-EU	Power Adapter Plug European
VRO-PLG-UK	Power Adapter Plug United Kingdom
VRO-PLG-AU	Power Adapter Plug Australia
VRO-USBPWR	Power Cable to Power VRO from +5V USB, 1 m

VXM-USB-RS232	USB to RS232 Serial DB9 Cable Adapter, 3 m
VRO-ACUENC-6P	Cable Adapter, Acu-Rite Encoder (6pin) to VRO
VRO-ACUENC-9DB	Cable Adapter, Acu-Rite Encoder (9DB – 15pin) to VRO
VRO-ENDCAP	Protective Rubber End Caps (pair)
VRO-BAG	IP64 Protective Clear Vinyl Bag
VRO-TAB2	Remote Send/Zero Enc1 Pendant with 2 m cable
VRO-MFLG80	Dovetail Mounting Flanges 80mm (pair)

Note: All models include AC Power Adapter/US plug, Quick Start Instructions, & Literature/Software CD



"Positioning Systems for Science and Industry"

Limits – AC Motors

Item Number	Description	Weight	
		lbs	kg
Optional Limit Switches			
OBSL	Outboard adjustable limit switch assy. Includes rail w/2 micro-switches and cable. (Old PN 3-8515)	2.5	1.13
3-8515-SW	Additional micro-switch with slider and 6 ft cable for Outboard limit switch assembly	0.5	0.23
3-934	Fixed end of travel limit switch assembly. Includes 2 fixed push-button switches and cable (For all UniSlides® except series MA15 and MA/MB25)	0.5	0.23
3-934-1500	Fixed end of travel limit switch assembly for MA1500 UniSlide®, includes 2 fixed micro-switches and cable	0.5	0.23
3-934-2500	Fixed end of travel limit switch assembly for MA/MB2500 UniSlide®, includes 2 fixed micro-switches and cable	0.5	0.23

AC Motors for Constant Speed Scanning⁽¹⁰⁾

ORK1GN-AU	Vexta ORK1GN-AUL with capacitor (for use with 4-9013-xx GearHead below and MA15, MA/MA25 UniSlides®) (Old PN 4-9010)	1.0	0.45
OGNxxKA	Vexta OGNxxKA GearHead for ORK1GN-AUL(above) (where xx=36 for 36:1 or 75 for 75:1) (Old PN 4-9011)	0.5	0.23
2RJ4GB-AU	Vexta 2RJ4GB-AUL with capacitor (for use with 2GB36KA Gearhead below and MA40,MA60 UniSlides®) (Old PN 4-9012)	1.5	0.68
2GBxxKA	Vexta 2GBxxKA GearHead for 2RJ4GB-AUL above (where xx=36 for 36:1) (Old PN 4-9013)	0.5	0.23
KSL062T1Y	Slo-Syn Type 23D Model KSL062T1Y 140 oz-in, 72 RPM Synch Motor, w/Resistor & Capacitor, unwired (Old PN 4-962)	3.0	1.36
SS-241L	Slo-Syn Type 34D Model SS-241L. 240 oz-in, 72 RPM Synch Motor with Capacitor, unwired (Old PN 4-942)	4.4	2.00

⁽¹⁰⁾ (Replace "xxxx" in the following part numbers with motor model number)



"Positioning Systems for Science and Industry"

DC Stepper Motors

DC Stepper Motors (1.8 Deg, 6 Wire)

NEMA Type 17 Stepper Motors	Description	Weight	
		lbs	kg
PK245-01AA	Vexta PK245-01AA, 2 phase single shaft stepper motor, 44 oz-in, 1.2 amp/winding (5-951)	0.8	0.36
PK245-01BA	Vexta PK245-01BA, 2 phase double shaft stepper motor, 44 oz-in, 1.2 amp/winding (5-951-2)	0.8	0.36
PK243A1A-SG18	Vexta PK243A1A-SG18, 2 phase single shaft 18:1 geared stepper motor, 111 oz-in holding torque, 0.95 amp per winding (0.1o/step) (other gear ratios available on special order) (5-970)	0.8	0.36
PK243B1A-SG18	Vexta PK243B1A-SG18, 2 phase double shaft 18:1 geared stepper motor, 111 oz-in holding torque, 0.95 amp per winding (0.1°/step) (other gear ratios avail on special order) (5-970-2)	0.8	0.36

NEMA Type 23 Stepper Motors

PK264-03A	Vexta PK264-03A Type 23T1 single shaft stepper motor, 60 oz-in, 3 amp/winding (5-0980)	1.6	0.73
PK264-03A-P1	Vexta PK264-03A-P1 Type 23T1 single shaft stepper motor, 60 oz-in, 3 amp/winding (BiSlides® & XSlides™ only)	1.6	0.73
PK264-03B	Vexta PK264-03B Type 23T1 double shaft stepper motor, 60 oz-in, 3 amp/winding (5-0981)	1.6	0.73
PK264-03B-P1	Vexta PK264-03B-P1 Type 23T1 double shaft stepper motor, 60 oz-in, 3 amp/winding (BiSlides® & XSlides™ only)	1.6	0.73
PK264M-03A	Vexta PK264M-03A Type 23T1 single shaft stepper motor, 60 oz-in, 3 amp/winding, High res. (0.9 deg) (5-0990)	1.6	0.73
PK264M-03A-P1	Vexta PK264M-03A-P1 Type 23T1 single shaft stepper motor, 60 oz-in, 3 amp/winding, High res. (0.9 deg) (BiSlides® & XSlides™ only)	1.6	0.73
PK264M-03B	Vexta PK264M-03B Type 23T1 double shaft stepper motor, 60 oz-in, 3 amp/winding, High res. (0.9 deg) (5-0991)	1.6	0.73
PK264M-03B-P1	Vexta PK264M-03B-P1 Type 23T1 double shaft stepper motor, 60 oz-in, 3 amp/winding, High res. (0.9 deg) (BiSlides® & XSlides™ only)	1.6	0.73
PK266-03A	Vexta PK266-03A Type 23T2 single shaft stepper motor, 100 oz-in, 3 amp/winding (5-0982)	2.5	1.13
PK266-03A-P1	Vexta PK266-03A-P1 Type 23T2 single shaft stepper motor, 100 oz-in, 3 amp/winding (BiSlides® & XSlides™ only)	2.5	1.13
PK266-03B	Vexta PK266-03B Type 23T2 double shaft stepper motor, 100 oz-in, 3 amp/winding (5-0983)	2.5	1.13
PK266-03B-P2	Vexta PK266-03B-P2 Type 23T2 double shaft stepper motor, 100 oz-in, 3 amp/winding (BiSlides® & XSlides™ only)	2.5	1.13
PK266M-03A	Vexta PK266M-03A Type 23T2 single shaft stepper motor, 100 oz-in, 3 amp/winding, High res. (0.9 deg) (5-0992)	2.5	1.13
PK266M-03A-P1	Vexta PK266M-03A-P1 Type 23T2 single shaft stepper motor, 100 oz-in, 3 amp/winding, High res. (0.9 deg) (BiSlides® & XSlides™ only)	2.5	1.13
PK266M-03B	Vexta PK266M-03B Type 23T2 double shaft stepper motor, 100 oz-in, 3 amp/winding, High res. (0.9 deg) (5-0993)	2.5	1.13
PK266M-03B-P2	Vexta PK266M-03B-P2 Type 23T2 double shaft stepper motor, 100 oz-in, 3 amp/winding, High res. (0.9 deg) (BiSlides® & XSlides™ only)	2.5	1.13
PK268-03A	Vexta PK268-03A Type 23T2 single shaft stepper motor, 150 oz-in, 3 amp/winding (5-0984)	3.0	1.36
PK268-03B	Vexta PK268-03B Type 23T2 double shaft stepper motor, 150 oz-in, 3 amp/winding (5-0985)	3.0	1.36



"Positioning Systems for Science and Industry"

		Weight	
		lbs	kg
NEMA Type 34 Stepper Motors			
M091-FD-455E	Slo-Syn M091-FD-455E Type 34T1 double shaft stepper motor, 150 oz-in, 4.7 amp/winding (4-9833)	4.2	1.91
M092-FD-447	Slo-Syn M092-FD-447 Type 34T2 single shaft stepper motor, 300 oz-in, 4.6 amp/winding (4-9834)	6.7	3.04
M092-FD-448E	Slo-Syn M092-FD-448E Type 34T2 double shaft stepper motor, 300 oz-in, 4.6 amp/winding (4-9835)	6.7	3.04
PK296-03AA-X	Vexta PK296-03AA-X Type 34T1 single shaft stepper motor, 310 oz-in, 4.5 amp/winding (5-0994)	3.7	1.69
PK296-03BA-X	Vexta PK296-03BA-X Type 34T1 double shaft stepper motor, 310 oz-in, 4.5 amp/winding (5-0995)	3.7	1.69

NEMA Type 34 Stepper Motors – Geared

PK296B2A-SG3.6	Vexta Type 34T1, 3.6:1 Geared Stepper Motor	6.2	2.81
PK296B2A-SG7.2	Vexta Type 34T1, 7.2:1 Geared Stepper Motor, 10 mm advance per turn of motor (1/2 inch)	6.2	2.81
PK296B2A-SG10	Vexta Type 34T1, 10:1 Geared Stepper Motor, 10 mm advance per turn of motor (1/2 inch)	6.2	2.81
PK296B2A-SG18	Vexta Type 34T1, 18:1 Geared Stepper Motor, 10 mm advance per turn of motor (1/2 inch)	6.2	2.81
PK296B2A-SG36	Vexta Type 34T1, 36:1 Geared Stepper Motor, (1/2 inch)	6.2	2.81

Stepper Motor Dampers (*Dampers are recommended for vertical applications when payload exceeds 5 lbs.*)

D4CL	D4CL Damper for Type 17 Stepper motors (Requires double shaft motor) (4-939)	0.2	0.09
D6CL	D6CL Damper for Type 23 Stepper motors (Requires double shaft motor) (4-940)	0.2	0.09
D9CL	D9CL Damper for Type 34 Stepper motors (Requires double shaft motor) (4-941)	0.4	0.18

		Weight	
		lbs	kg
Cables - Terminated at Motor/Limit end only⁽¹⁴⁾			
4-0700-10	Motor Cable Assy, 10 ft, 6 Pin Amp Mate-N-Lok connector on motor end	1.0	0.45
4-0730-10	Limit Cable Assy, 10 ft, 4 Pin Amp Mate-N-Lok connector on limit switch end	1.0	0.45

Cables - Adapters⁽¹⁴⁾

4-0720	Adapter, Limit, New (AMP, 4 pin) conn on limit to old (AMPHENOL, 7 pin) on control	1.0	0.45
4-0721	Adapter, Limit, Old (AMPHENOL, 7 pin) conn on limit to new (AMP, 4 pin) on control	1.0	0.45
4-0722	Adapter, Motor, New (AMP, 6 pin) conn on motor to old (MOLEX, 6 pin) on control	1.0	0.45
4-0723	Adapter, Motor, Old (MOLEX, 6 pin) conn on motor to new (AMP, 6 pin) on control	1.0	0.45

Cables - VXM (See "VXM Controllers")

⁽¹⁴⁾ Molex and Amphenol connectors used on Velmex systems prior to 1999



"Positioning Systems for Science and Industry"

Stepper Motor Controls & Accessories

Item Number	Description	Weight	
		lbs	kg
Velmex VXM™ Controllers ⁽¹¹⁾⁽¹³⁾			
VXM-1	Model VXM-1 Programmable Stepper Motor Controller for one motor (4-2101)	3.6	1.63
VXM-2	Model VXM-2 Programmable Stepper Motor Controller for 2 motors, one at a time (4-2102)	3.9	1.77
VXM-3	Model VXM-3 Programmable Stepper Motor Controller for three motors (4-2103)	7.5	3.40
VXM-4	Model VXM-4 Programmable Stepper Motor Controller for four motors (4-2104)	7.8	3.54
VXM-1R	Model VXM-1R Programmable Stepper Motor Controller for one motor, Rack Mount (4-2105)	4.6	2.09
VXM-2R	Model VXM-2R Programmable Stepper Motor Controller for 2 motors, Rack Mount (4-2106)	4.9	2.22
VXM-3R	Model VXM-3R Programmable Stepper Motor Controller for three motors, Rack Mount (4-2107)	8.5	3.86
VXM-4R	Model VXM-4R Programmable Stepper Motor Controller for four motors, Rack Mount (4-2108)	8.8	3.99
VXM-1-1	Model VXM-1-1 Programmable Controller for two motors, simultaneous motion (4-2109)	7.2	3.27
VXM-1-1R	Model VXM-1-1R Programmable Controller for two motors, simultaneous motion, Rack Mount (4-2110)	8.2	3.72
VXM-1J	Model VXM-1J enhanced jog and auto-reverse single stepping motor controller	3.6	1.63
VXM-1B	Control, 1 axis programmable stepping motor control w/ Fail Safe Brake firmware. To be used with IM001-10-BRK.	3.6	1.63
VXM-2B	Control, 2 axis programmable stepping motor control, 1 motor at a time. w/ Fail Safe Brake firmware. To be used with IM001-10-BRK.	3.9	1.77
VXM-3B	Control, 3 axis programmable stepping motor control. w/ Fail Safe Brake firmware. To be used with IM001-10-BRK.	7.5	3.40
VXM-3-HV-B	Control, 3 axis programmable stepping motor control, 2 motors at a time (28 V, 4 A breaker) To be used with IM001-10-BRK.	7.5	3.40
VXM-4B	Programmable stepping motor control+driver for 4 motors. w/ Fail Safe Brake firmware. To be used with IM001-10-BRK.	7.8	3.54
VXM-4-HV-B	Control, 4 axis programmable stepping motor control, 2 motors at a time (28 V, 4 A breaker), To be used with IM001-10-BRK.	7.8	3.54

I/O

4-2120	Breakout Module, VXM I/O to terminal strip, 12 in cable	1.0	0.45
4-2121	Joystick, Digital, for VXM, 1 or 2 axes, 10 ft cable	1.0	0.45
4-2129	Joystick, Analog for VXM-3, VXM-4, 10 ft Cable	1.0	0.45
4-2130	Joystick, Analog for VXM-1, VXM-2, 10 ft Cable	1.0	0.45
4-2127	I/O Connector & Pins for VXM Controller	0.5	0.23
4-2144	Speed Pot Option for VXM-1 Controller (Manual Front Panel Speed Control)	0.5	0.23
4-2128	Foot Switch, Two Pedal Fwd/Rev for VXM-1 Controller	2.0	0.91
4-2134	Thumbwheel Switch Option, Unmounted, 4 program, includes 4-2120 Breakout Module Module, 12 in cable	1.0	0.45
4-2140	VXM-2RLY, I/O Relay module, 2 outputs, w/B/O Mod	1.0	0.45
4-2141	VXM-4RLY, I/O Relay module, 4 outputs, w/B/O Mod	1.0	0.45
4-2142	Relay, AC, for VXM-xRLY Relay Module	0.2	0.09
4-2143	Relay, DC, for VXM-xRLY Relay Module	0.2	0.09
SPC19943	Serial Data Cable – DB9 – 10 Ft. M/F	1.0	0.45



"Positioning Systems for Science and Industry"

Stepper Motor Controls & Accessories

Cables

Item Number	Description	Weight	
		lbs	kg
4-2122	Bussing Cable, For control of 2nd VXM control (Included with VXM-3, -4 & 1-1 models)	0.5	0.23
4-2123	Splitter cable for VXM I/O port (Connect joystick and breakout module to VXM I/O port)	0.5	0.23
4-0712-10	Cable Extension Set, VXM-1, VXM-1R, 10 ft, AMP, Motor & Limit, AMP Conn both ends	2.0	0.09
4-0713-10	Cable Extension Set, VXM-2, VXM-2R, VXM1-1, VXM1-1R, 10 ft, AMP, Motor & Limit, AMP Conn both ends	4.0	1.81
4-0714-10	Cable Extension Set, VXM-3, VXM-3R, 10 ft, AMP, Motor & Limit, AMP Conn both ends	6.0	2.72
4-0715-10	Cable Extension Set, VXM-4, VXM-4R, 10 ft, AMP, Motor & Limit, AMP Conn both ends	8.0	3.63

Cables - Terminated at VXM end only

4-0710-10	Motor Cable Assembly , connector on VXM side. 10', 20 AWG	1.0	0.45
4-0711-10	Limit Cable Assembly , connector on VXM side. 10', 20 AWG	1.0	0.45
4-0716-10	Motor Cable Extension, 10'	1.0	0.45
4-0717-10	Limit Cable Extension, 10'	1.0	0.45

Accessories

4-2124	Rack Mount kit for one VXM Controller, 5 1/4 x 19 inch	1.0	0.45
4-2125	Rack Mount kit for two VXM Controllers, 5 1/4 x 19 inch	1.0	0.45
4-2126	Attachment plate kit for two VXM Controllers (side by side)	0.5	0.23
4-2131	Panel Mount Kit for VXM, brackets & Screws (does not include panel)	0.5	0.23
4-2133	Power Supply, VXM w/power cord (Replacement only) ⁽¹³⁾	2.0	0.09
VXM-USB-RS232	USB to RS232 Serial DB9 Cable Adapter, 3 m		
IM001-10-FSB	Fail Safe Brake for Belt Drives and rear mounting to NEMA 34 dbl shaft motor.	2.0	0.09

⁽¹¹⁾ All VXM Controllers include Power Supply and an RS-232 serial communication cable (except VXM1-J) plus 10 ft motor and Limit Switch cables

Note: Longer integrated (non removable) cables are available for the VXM Controllers

⁽¹³⁾ 110/220 VAC, 50/60 Hz supply voltage standard.

"Positioning Systems for Science and Industry"

Motor-Driven BiSlide® Assemblies

The Velmex BiSlide® positioning stage's modular design makes it highly configurable for a multitude of different motion-control applications. Exceedingly accurate, multi-axis positioning systems can be quickly and easily assembled using Velmex BiSlides®.

Motor Driven BiSlide® Assembly Part No. Definition

M
N
1
0
-
0
2
0
0
-
E
0
1
-
2
1

Cross Section

M

Design

10=Inch
11=Inch & Way Cover

Lead Screw	Advance/Turn
Blank	None
M01	1.00 mm
M02	2.00 mm
E01	0.10 Inches
E04	0.40 Inches
M10(Belt)	100 mm

Options

Mounting

Blank = None
11 = Basic Knob
12 = Knob/Counter, Horizontal, Increment + From Knob
13 = Knob/Counter, Vertical, Increment + From Knob**
14 = Knob/Counter, Horizontal, Increment - From Knob
15 = Knob/Counter, Vertical, Increment - From Knob**
20 = NEMA 23 Motor Mount
21 = NEMA 23 Mount & Limit Switches
22 = NEMA 23/SG Gearbox Mount
23 = NEMA 23/SG Gearbox Mount & Limit Switches
30 = NEMA 34 Motor Mount
31 = NEMA 34 Mount & Limit Switches
33 = NEMA 34/SG Gearbox Mount & Limit Switches(Belt)
40 = Side Knob Lock Left / Knob Right
41 = Side Knob Knob Left / Lock Right
42 = Side Knob Knob Left / Knob Right

** For BiSlides oriented vertically with the knob up.
Use the Horizontal reading (-12 or -14) for applications with the knob down.

Drive Scheme

N=Nut/Screw Drive
F=Free Sliding
T=Tandem
B=Belt Drive
R=Rapid Advance

Design Travel* (Tenths of Inches)

Standard travel lengths MN/MF (Inches)
5, 10, 15, 20, 30, 40, 50, 60, 80

* Free Sliding Models have 2.4" Longer Travel
Standard travel lengths MB (Inches)
20, 30, 40, 50, 60, 80, 100, 120, 140, 160, 180, 200, 220
Other Travel Lengths Available

Standard travel lengths Side Knob (Inches)
5, 10, 15



"Positioning Systems for Science and Industry"

Motor-Driven BiSlide® Assemblies

Motor Driven BiSlide® Models with Limit Switches (Order Motors separately)

xxx=E01, E04, or M02 (E01= .1" lead screw)

Travel		NEMA 23	NEMA 34	Overall Base	Weight ²	
in	cm	Motor Mount	Motor Mount	Length (in.)	lbs.	kg.
5	12.7	MN10-0050-xxx-21	MN10-0050-xxx-31	12.95	6.2	2.8
10	25.4	MN10-0100-xxx-21	MN10-0100-xxx-31	17.95	8	3.6
15	38.1	MN10-0150-xxx-21	MN10-0150-xxx-31	22.95	9.8	4.4
20	50.8	MN10-0200-xxx-21	MN10-0200-xxx-31	27.95	11.5	5.2
30	76.2	MN10-0300-xxx-21	MN10-0300-xxx-31	37.95	15	6.8
40	101.6	MN10-0400-xxx-21	MN10-0400-xxx-31	50.35	19.6	8.9
50	127	MN10-0500-xxx-21	MN10-0500-xxx-31	60.35	23.1	10.5
60	152.4	MN10-0600-xxx-21	MN10-0600-xxx-31	70.35	26.6	12.1
80	203.2	MN10-0800-xxx-21	MN10-0800-xxx-31	90.35	33.6	15.3

¹ For -20 or -30 Models (No Limit Switches) subtract \$20.00

² Add 0.7 lb (0.4 kg) for -31 Models (NEMA 34 Motor Mount)

For Manual BiSlides®, see Velmex Manual BiSlides®

Free Sliding BiSlide® Models

Travel		Model #	Overall Base	Weight	
in	cm		Length (in.)	lbs.	kg
7.4	18.8	MF10-0050	12.95	5.9	2.7
12.4	31.5	MF10-0100	17.95	7.4	3.3
17.4	44.2	MF10-0150	22.95	8.9	4
22.4	56.9	MF10-0200	27.95	10.3	4.7
32.4	82.3	MF10-0300	37.95	13.3	6.1
44.8	113.8	MF10-0400	50.35	17	7.7
54.8	139.2	MF10-0500	60.35	20	9.1
64.8	164.6	MF10-0600	70.35	23	10.4
84.8	215.4	MF10-0800	90.35	28.9	13.1

For custom lengths use price of nearest longer length model + \$80.00



"Positioning Systems for Science and Industry"

Motor-Driven BiSlide® Assemblies

Tandem BiSlide®

Travel			NEMA 23	NEMA 34	Overall Base Length (in.)	Weight	
in	cm		Motor Mount	Motor Mount		lbs.	kg.
5	12.7		MT10-0050-xxx-21	MT10-0050-xxx-31	12.95	12	5.4
10	25.4		MT10-0100-xxx-21	MT10-0100-xxx-31	17.95	16	7
15	38.1		MT10-0150-xxx-21	MT10-0150-xxx-31	22.95	20	9
20	50.8		MT10-0200-xxx-21	MT10-0200-xxx-31	27.95	24	11
30	76.2		MT10-0300-xxx-21	MT10-0300-xxx-31	37.95	29	13
40	101.6		MT10-0400-xxx-21	MT10-0400-xxx-31	50.35	37	17
50	127		MT10-0500-xxx-21	MT10-0500-xxx-31	60.35	43	20
60	152.4		MT10-0600-xxx-21	MT10-0600-xxx-31	70.35	49	22
80	203.2		MT10-0800-xxx-21	MT10-0800-xxx-31	90.35	60	27

Note: Crating charges may apply

BiSlide® Belt Drive Pricing

Inch	Travel		Model Number		Overall Base Length (in.)	Weight	
	Feet	Meters				lbs.	kg
10	0.83	0.25	MB10-0100-M10-xx		27.3	12.9	5.9
20	1.7	0.5	MB10-0200-M10-xx		37.3	16.1	7.3
30	2.5	0.8	MB10-0300-M10-xx		47.3	19.3	8.8
40	3.3	1.0	MB10-0400-M10-xx		57.3	22.6	10.2
50	4.2	1.3	MB10-0500-M10-xx		67.3	25.8	11.7
60	5.0	1.5	MB10-0600-M10-xx		77.3	29.0	13.2
80	6.7	2.0	MB10-0800-M10-xx		97.3	35.4	16.1
100	8.3	2.5	MB10-1000-M10-xx		117.3	41.9	19.0
120	10.0	3.0	MB10-1200-M10-xx		137.3	48.3	21.9
140	11.7	3.6	MB10-1400-M10-xx		157.3	54.8	24.8
160	13.3	4.1	MB10-1600-M10-xx		177.3	61.2	27.8
180	15.0	4.6	MB10-1800-M10-xx		197.3	67.6	30.7
200	16.7	5.1	MB10-2000-M10-xx		217.3	74.1	33.6
220	18.3	5.6	MB10-2200-M10-xx		237.3	80.5	36.5
228	19.0	5.8	MB10-2280-M10-xx		245.3	83.1	37.7

xx = 31 for direct drive or 33 for gear drive

Motor:	PK296B2A-SG10	Vexta 10:1 Geared Stepping Motor 10 mm advance per turn of motor (0.025mm advance per step with VXM)
---------------	---------------	------------------------------------------------------------------------------------------------------------



"Positioning Systems for Science and Industry"

Motor-Driven BiSlide® Accessories

BiSlide® Common Accessories

Item Number	Description	Weight	
		oz	g
MC-1	Mounting Cleat Special 1 Hole	0.5	14.2
MC-2	Mounting Cleat Std 2 Hole (1.42" between holes)	0.9	25.5
MC-3	Mounting Cleat Optical 2 Hole (2" between holes)	0.9	25.5
MB-1	1/4-20x3/4 SktHd Cap Bolts, 10 pack	2.2	62.4
MC-4	Sandwich Cleats (1 Pair MC-1 with bolts and nuts)	1.2	34

Adapter Plates

MSPP-1	Adjustable foot plate to end mount MSxxx
MSPP-2	Adapter Plate, Universal Mount
MSPP-3	Adapter plate - B4800 Rotary to BiSlide carriage
MSPP-4	Adapter plate - B5990 Rotary to BiSlide carriage
MSPP-5	Adapter Plate - End Mounting for MSX Extrusion
MSPP-6	Adapter Plate, End Mount MSX Extr to Optical Bench
MSPP-7	Adapter plate - A4007TS Turntable to BiSlide
MSPP-8	Adapter Plate, BiSlide Inverted Mount
XS001-20	Adapter Plate – Mount XSlide™ to BiSlide® carriage

XZ Brackets

GST-1-CT	XZ Bracket (10x13 in) Crossing on Tandem
GST-1-FX	XZ Bracket (10x13) Free Standing
GST-1-FXY	XZ Bracket (10x13) Free Standing, T-Slot Base
GST-1-L	XZ Bracket (10x13 in) In-Line
GST-1-LTD	XZ Bracket (10x13 in) InLine, Tandem on Tandem
GST-2-CP13	XZ Bracket (15x22 in) Crossing on 13in OC Parallel
GST-2-FX	XZ Bracket (15x22 in) Free Standing
GST-2-FXY	XZ Bracket (15x22 in) Free Standing on T-Slot Base
GST-2-L	XZ Bracket (15x22 in) InLine
GST-2-LT	XZ Bracket (15x22 in) InLine on Tandem
GST-2-LTD	XZ Bracket (15x22 in) InLine, Tandem on Tandem



Motor-Driven BiSlide® Options

BiSlide® Options	Description
SW-B	Home Switch (NO & NC unwired)
SW-M	Home Switch Magnetic Reed (NO & NC unwired)
BCF	Extra Carriage Without Nut
BCN-xxx	Extra Carriage With Nut (Replace xxx with E01, E04, or M02)

Parallel Coupled (Order Slides and Motors separately)

C to C (inches) = 13", 14.5", 16", 17.5", 19", 20.5", 22", 23.5", 25", 26.5", 28", 29.5", 31.5", 34", 36.5", 39", 41.5", 46.5", 51.5", 59", 66.5", 81.5"

PC2-xxx (xxx is inch C to C)	Motorized Coupled (Belt,Pulleys,Cover,Brg)*	+\$5.00 / inch
T1-xxx (xxx is inch C to C)	T Slot Rail, Parallel support, w/Hdwe.	+ \$1.20/in O.C.
T2-xxx (xxx is inch C to C)	Double Parallel Separator Rail, qty 1	+ \$1.20/in O.C.
T3-xxx (xxx is inch C to C)	T Slot Rail Assy, BiSlide Support, Hdwe.	+ \$1.20/in
T4-xxx (xxx is inch C to C)	BiSlide® Support Rail w/Leveling Feet	+ \$1.20/in

*Price does not include installation of belt and crating charge. Assembly instructions and Belt Tensioner are included.

O.C. = On Center parallel spacing

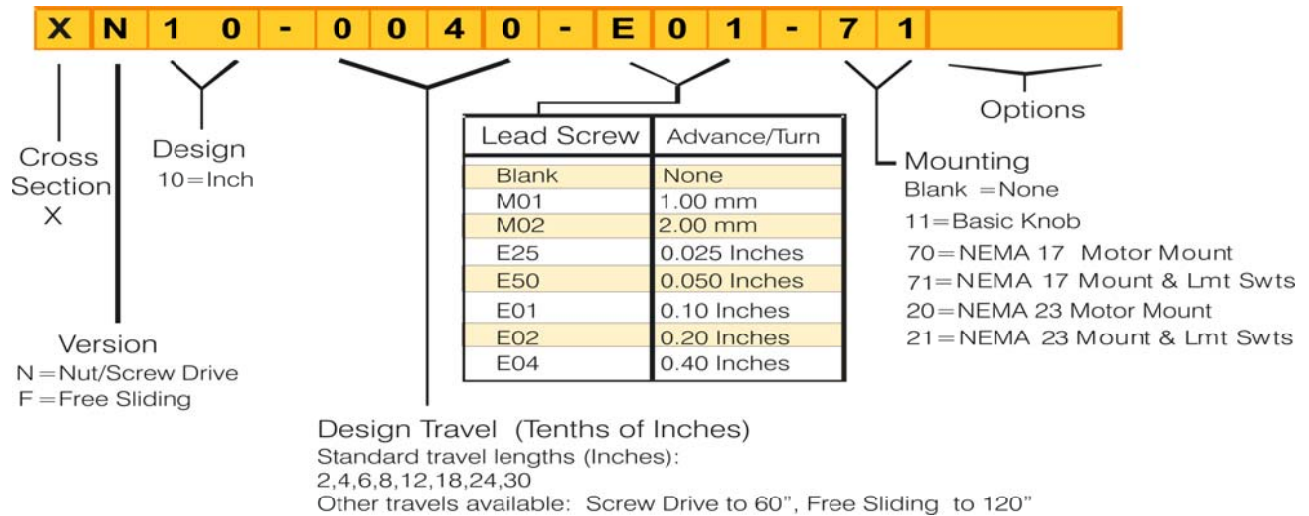
Bases, Framing, and Special Mounting

MSX	Structural Base for Framing, Bases, etc.	
MTX	Structural T-Slot Plate for Framing	
MSCUT	Cutting Charge per piece of MSX or MTX	
MSACS	Access Hole Charge for "T" Slot Mounting	
MSTAP	Tapping End Holes	
MB-2	1/4-20 x 1/2 Button Hd Screws for "T" Slots	
MB-3	1/4-20 x 5/8 SktHd Cap Bolts (for Cleat to Tslot mtn)	
MTN-1	1/4-20 "T" Slot Nut	
MTN-2	1/4-20 "T" Slot Fixing Nut	
EPS	Base End Plate & Fasteners (Plastic)	
EPT	T-Slot Plate End Plate & Fasteners (Plastic)	
LFS-1	Adjustable Leveling Foot	
F2	Frame (Med Duty) (W x D x H inch) (Not Assembled)	
F4	Frame (Heavy Duty) (W x D x H inch) (Not Assembled)	
F5-xxx	Post Assy, w/MSPP-2 Adap Plate, L=xxx inch	+ \$2.40/in
F6-xxx	Post, w/end caps, T-Nuts & 2 cleats, L=xxx inch	+ \$2.40/in
F7-xxx	Post Assy, w/MSPP-3 Plate, for B4800, L=xxx inch	+ \$2.40/in
F8-xxx	Post Assy, w/MSPP-4 Plate, for B5990, L=xxx inch	+ \$2.40/in
F9-xxx	Post/Rail Assy. with EPS on both ends	+ \$2.40/in

Velmex XSlide™ Assemblies

The Velmex XSlide™ is a compact positioning stage highly suitable for either high performance incrementing or scanning functions. Their compact design makes them ideal for limited space applications.

XSlide™ Assembly Part No. Definition



Motor* Driven Screw Drive Models

Inch Design, Motor Coupling, Limit Switches

Travel				Overall Base	Weight	
in	cm	17 Motor Mount*	23 Motor Mount*	Length	lbs	kg
				(-71 Models)		
2	5.1	XN10-0020-xxx-71	XN10-0020-xxx-21	6.36 in	0.99	0.45
4	10.2	XN10-0040-xxx-71	XN10-0040-xxx-21	8.86 in	1.15	0.52
6	15.2	XN10-0060-xxx-71	XN10-0060-xxx-21	10.86 in	1.31	0.60
8	20.3	XN10-0080-xxx-71	XN10-0080-xxx-21	12.86 in	1.47	0.67
12	30.5	XN10-0120-xxx-71	XN10-0120-xxx-21	16.86 in	1.79	0.81
18	45.7	XN10-0180-xxx-71	XN10-0180-xxx-21	22.86 in	2.26	1.03
24	61.0	XN10-0240-xxx-71	XN10-0240-xxx-21	28.86 in	2.74	1.25
30	76.2	XN10-0300-xxx-71	XN10-0300-xxx-21	34.86 in	3.22	1.46

For -70 or -20 Models (No Limit Switches) subtract \$16.00

* Motor sold separately

xxx=Lead Screw (M01,M02,E25,E50,E01,E02,E04)



"Positioning Systems for Science and Industry"

Velmex XSlide™ Assemblies

Free Sliding Models

Travel		Item Number	Overall Base Length	Weight	
in	cm			lbs	kg
2.5	6.4	XF10-0020	4.36 in	0.26	0.12
4.5	11.4	XF10-0040	6.86 in	0.36	0.16
6.5	16.5	XF10-0060	8.86 in	0.47	0.21
8.5	21.6	XF10-0080	10.86 in	0.57	0.26
12.5	31.8	XF10-0120	14.86 in	0.78	0.35
18.5	47.0	XF10-0180	20.86 in	1.09	0.50
24.5	62.2	XF10-0240	28.86 in	1.41	0.64
30.5	77.5	XF10-0300	32.86 in	1.72	0.78

Common Accessories

Part #		Weight	
		oz	g
XMC-2	Mounting Cleat Standard 2 Hole	0.10	2.8
XMC-4	Crossing Cleats, includes hardware	0.20	5.7
XMC-5	Mounting Cleat 1 Hole Optical	0.10	2.8
XMB-1	6-32 x 7/16" SktHd Cap Bolts (each)	0.04	1.0

Options

XSW-M	Home Switch Magnetic Reed (NO & NC unwired) Also requires installation of magnet in carriage	0.20	5.7
XBCF	Extra Carriage (Without Nut)	2.64	74.8
XBCN-xxx	Extra Carriage (With Nut)	2.60	73.7

End Mounting

XMB-2	6-32x5/8 Socket HeadCap Bolts (each)	0.04	1.1
XGST-1	Gusset 2.5" (includes cleats and fasteners)	4.20	119.1



"Positioning Systems for Science and Industry"

Velmex Motor-Driven Rotary Tables

B4800TS Series

Table Dia.	Bore Dia.	Item Number	Description	Weight (lbs)	kg
5"	1.6"	B4872TS	B4872TS Rotary Table w/72:1 worm gear reduction (with NEMA 23 motor mount) (Old PN 3-811)	5.5	2.5
5"	1.6"	B4836TS	B4836TS Rotary Table w/36:1 worm gear reduction (with NEMA 23 motor mount) (Old PN 3-812)	5.5	2.5
5"	1.6"	B4818TS	B4818TS Rotary Table w/18:1 worm gear reduction (with NEMA 23 motor mount) (Old PN 3-813)	5.5	2.5
		3-9014	Motor mounting surcharge for non-stepper motors on B4800TS Series Tables	N/A	

Note: Motors are not included with above Rotary Tables (See below)

B5990TS Series

Table Dia.	Bore Dia.	Item Number	Description	Weight (lbs)	kg
1.65"	0.5"	B5990TS	B5990TS-BK Rotary Table w/90:1 worm gear reduction, black anodized standard. (Old PN 3-915) Includes Vexta PK245-01AA NEMA 17 stepper motor.	2.5	2.5

Rotary Table Accessories

Item Number	Description	Weight (lbs)	kg
3-934-RR	Zero Reference Home Switch for Rotary Table, magnetic reed. Specify for B4800 or B5990 table	0.5	0.23
4-0730-10	Limit Cable Assy, 10 ft, 4 Pin Amp Mate-N-Lok connector on switch end, other end is unterminated (For Zero Reference Home Switch)	1.0	0.45
A4001XZ-R	A4001XZ-R Bracket, Mount two B4800TS Rotary Tables at 90 degrees (Old PN 3-852R)	2.0	0.91

Rotary Table Mounting Adapters

Plate Dimensions	Item Number	Description	Weight (lbs)	kg
6" x 6"	A6000TX	A6000TX Adapter Plate - Mounts any B4800TS Series Rotary Table to any MAXY Table or to any Series 4000 or 6000 UniSlide® with 6 inch or longer slider. Plate is 6" x 6" x 1/4". (Old PN 3-814)	1.0	0.45
6" x 6"	A6000TX-BK	A6000TX Adapter Plate - Mounts any B4800TS Series Rotary Table to any MAXY Table or to any Series 4000 or 6000 UniSlide® with 6 inch or longer slider. Plate is 6" x 6" x 1/4". (Black Anodized) (Old PN 3-814-BK)	1.0	0.45
4" dia x 3/8"	B5990TXZ-BK	B5990TXZ-BK Adapter Plate - Mounts two B5990TS Rotary Tables at right angle or one B5990TS on edge to any UniSlide® Series slider (except 9000). Plate is 4" dia x 3/8". (Black Anodized) (Old PN 3-933)	1.0	0.45
	MSPP-3	Adapter plate - B4800 Rotary to BiSlide® carriage, Black Anodized	1.0	0.45
	MSPP-4	Adapter plate - B5990 Rotary to BiSlide® carriage, Black Anodized	1.0	0.45

Stepping Motors and Knob for B4800 Rotary Tables

Item Number	Description	Weight (lbs)	kg
PK264-03A	Vexta PK264-03A Type 23T1 single shaft stepper motor, 60 oz-in, 3 amp/winding (Old PN 5-0980)	1.6	0.73
PK264-03B	Vexta PK264-03B Type 23T1 double shaft stepper motor, 60 oz-in, 3 amp/winding (Old PN 5-0981)	1.6	0.73
PK266-03A	Vexta PK266-03A Type 23T2 single shaft stepper motor, 100 oz-in, 3 amp/winding (Old PN 5-0982)	2.5	1.13
PK266-03B	Vexta PK266-03B Type 23T2 double shaft stepper motor, 100 oz-in, 1.9 amp/winding (Old PN 5-0983)	2.5	1.13
5001-201-250	Knob, Rogan (Mounts on back shaft of double shaft stepping motor)	0.1	0.05



"Positioning Systems for Science and Industry"

Velmex Encoders

Rotary Encoders

		Weight	
		(lbs)	kg
Rotary Encoders for NEMA 17 Motors			
15T-06 SB-0100 N 5 Q HV-M03	EPC Rotary Encoder, 5mm bore, 100 CPR, 3M cable	0.2	0.09
15T-06 SB-0200 N 5 Q HV-M03	EPC Rotary Encoder, 5mm bore, 200 CPR, 3M cable	0.2	0.09
15T-06 SB-0400 N 5 Q HV-M03	EPC Rotary Encoder, 5mm bore, 400 CPR, 3M cable	0.2	0.09
15T-06 SB-0500 N 5 Q HV-M03	EPC Rotary Encoder, 5mm bore, 500 CPR, 3M cable	0.2	0.09

Rotary Encoders for NEMA 23 Motors

15T-01 SF-0100 N 5 Q HV-M03	EPC Rotary Encoder, 1/4" bore, 100 CPR, 3M cable	0.2	0.09
15T-01 SF-0200 N 5 Q HV-M03	EPC Rotary Encoder, 1/4" bore, 200 CPR, 3M cable	0.2	0.09
15T-01 SF-0400 N 5 Q HV-M03	EPC Rotary Encoder, 1/4" bore, 400 CPR, 3M cable	0.2	0.09
15T-01 SF-0500 N 5 Q HV-M03	EPC Rotary Encoder, 1/4" bore, 500 CPR, 3M cable	0.2	0.09

Rotary Encoders for NEMA 34 Motors

15T-02 SF-0100 N 5 Q HV-M03	EPC Rotary Encoder, 3/8" bore, 100 CPR, 3M cable	0.2	0.09
15T-02 SF-0200 N 5 Q HV-M03	EPC Rotary Encoder, 3/8" bore, 200 CPR, 3M cable	0.2	0.09
15T-02 SF-0400 N 5 Q HV-M03	EPC Rotary Encoder, 3/8" bore, 400 CPR, 3M cable	0.2	0.09
15T-02 SF-0500 N 5 Q HV-M03	EPC Rotary Encoder, 3/8" bore, 500 CPR, 3M cable	0.2	0.09

		Weight	
		(lbs)	kg
Digital Position Encoders / Cables (while supplies Last)			
HEDS5500-5m-xxx	Rotary encoder (HEDS style) for 5 mm shaft (NEMA 17 motor) (xxx = Counts/rev) (Old PN 3-918E-17-xxx)	0.3	0.14
HEDS5500-25-xxx	Rotary encoder (HEDS Style) for 0.25 inch shaft (NEMA 23 motor or UniSlide® LS Ext) (Old PN 3-918E-23-xxx)	0.3	0.14
MX212-38-xxx	Rotary encoder (BEI Style) for 0.375 inch shaft (NEMA 34 motor)(xxx=counts/rev) (Old PN 3-918E-34-xxx)	0.3	0.14
4-0740	Cable Assy, Encoder, HEDS, 10 ft unterminated	1.0	0.45
4-0741	Cable Assy, Encoder, BEI, 10 ft unterminated	1.0	0.45
4-0742	Cable Assy, Encoder, HEDS to Metronic QuadraChek, 10 ft	1.0	0.45
4-0743	Cable Assy, Encoder, BEI to Metronics QuadraChek, 10 ft	1.0	0.45

Metronics Quadra-Chek™ QC10V & QC110, 120, 130 encoder readout/interface (Call Velmex for pricing)