

# BISLIDE<sup>®</sup> Way Cover Assembly

The BiSlide Way Cover Assembly uses a flexible rubber bellows cover to keep dust/debris off of the Lead Screw. It is suitable for horizontal oriented applications only.

## Features:

- Protection from dust/debris in horizontal applications.
- Easy to retrofit to existing BiSlide Assemblies without impacting mounting.

## Part Numbers:

BWC-xxx (xxx = Design Travel Length of BiSlide Assembly) - Waycover Assembly

BWCENDPLT - End Plate

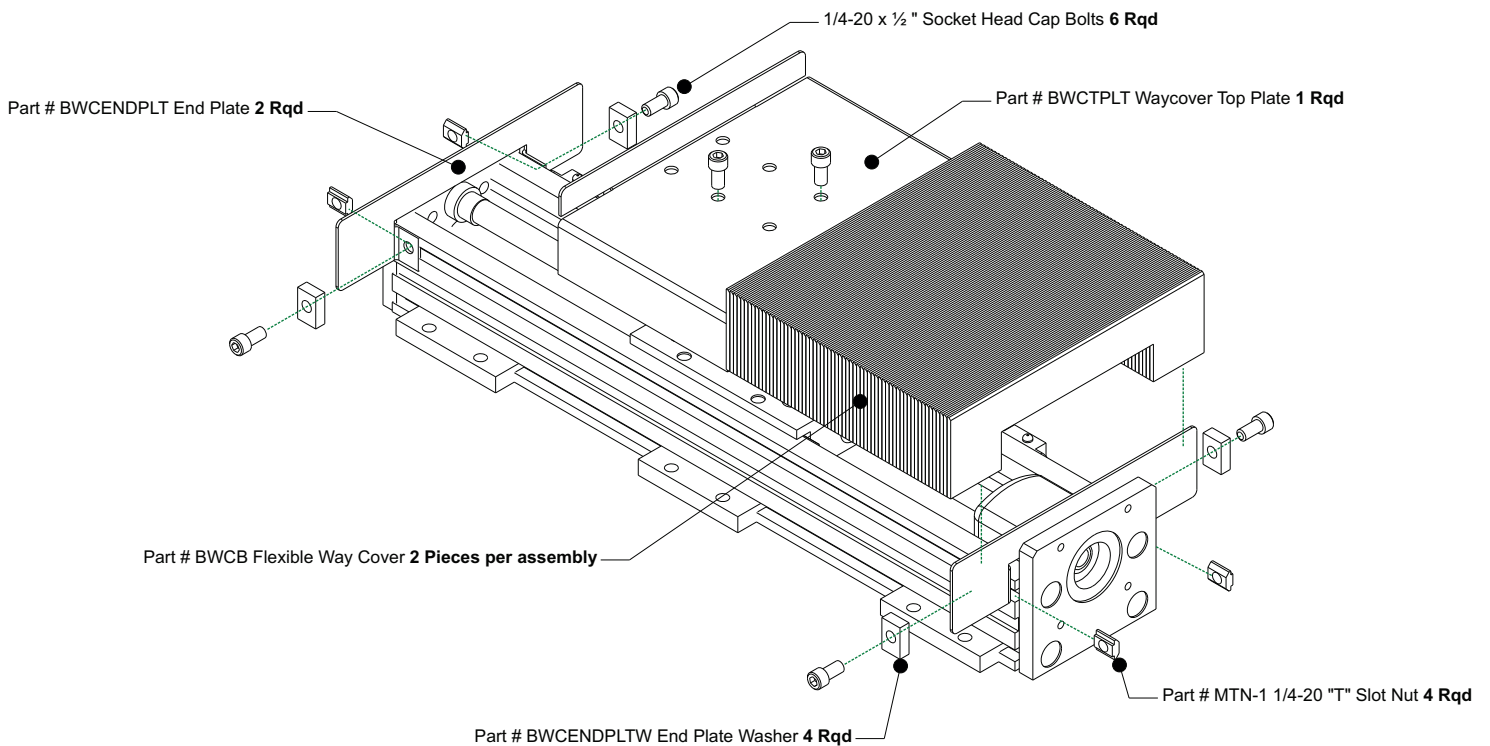
BWCENDPLTW - End Plate Washer

BWCTPLT - Top Plate

BWCB-xxx - Way Cover Material (2 Pieces per Assembly)

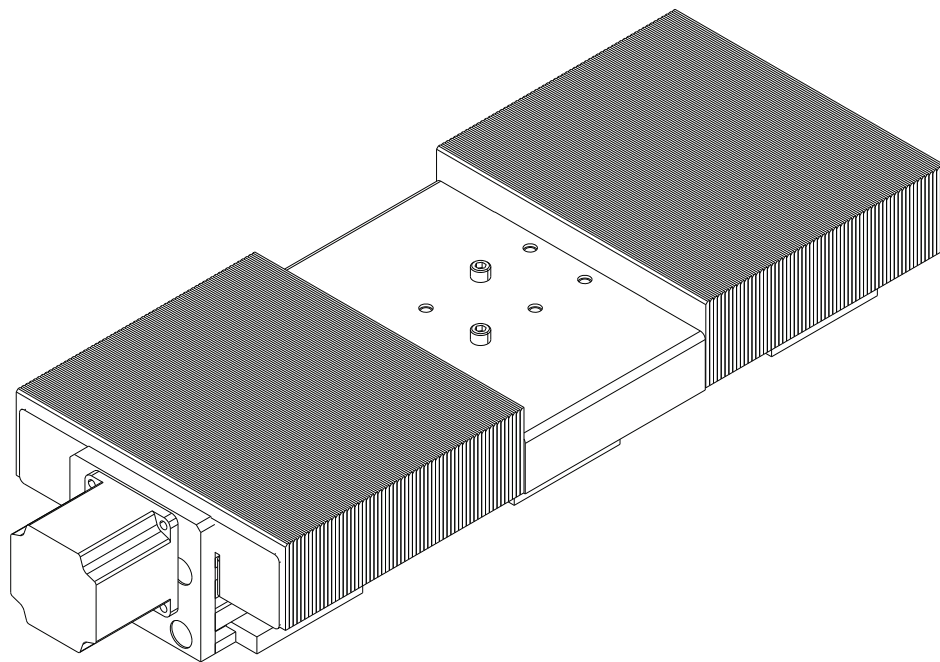
MTN-1 - T Slot Nut

NOTE: Design Travel is reduced by approximately 20% using the Way Cover Assembly



7550 State Rt. 5 & 20 Bloomfield NY 14469  
Tel: 585-657-6151 Fax: 585-657-6153

Internet: [www.bislide.com](http://www.bislide.com)  
[www.velmex.com](http://www.velmex.com)



**Refer to BiSlide Assemblies Catalog  
for additional (standard) dimensions**

