

# BiSlide® Frame Assembly

## F4 Model Bases

# F4

### Model Number:

F4- Width x Depth x Height

### ⚠ Precautions

- Maximum Load Capacity: 500 lbs (227 kg)
- It is the responsibility of the end user to determine suitability of this product for a particular application
- For safety attach Base to floor
- **⚠ CAUTION** The Leveling Feet supplied are not designed to prevent tipping due to heavy loads
- Remove Leveling Feet and bolt legs directly to floor surface to minimize possibility of tip over
- **⚠ CAUTION** Failure to tighten bolts securely may result in Base failure and personal injury

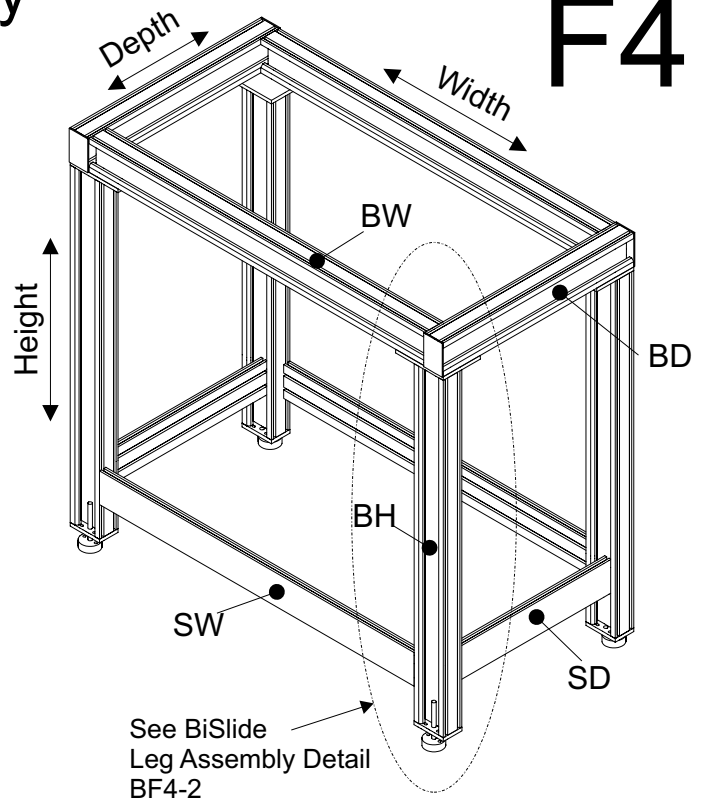


Diagram BF4-1

## Assembly Procedure

Tools required: 5/32" hex key, 3/16" hex key, 9/16" open end or crescent wrench, hammer or mallet, tape measure. Refer to diagrams BF4-1 and BF4-2

1. Loosely attach Stretcher SD to legs BH with Bolts 4
2. With Bolts 3 in Stretcher SW Slide Stretcher down Leg BH, repeat for all four legs
3. Install Corner Plates 7 to Legs
4. Loosely install T Nuts 1 with bolts 2 into Corner Plate 7
5. Slide one Top Rail BD over T Nuts 1 and align outside corner of BD to outside corner of Plate 7
6. Slide Top Rails BW over T Nuts 1, Install any optional T Nuts in Rail BW now
7. Slide second Top Rail BD over T Nuts 1
8. Square Base by measuring and comparing diagonal distances
9. Move Stretchers SW so Bolts 3 are aligned to access holes in BH
10. Tighten all bolts

*Recommended bolt torque is 95 in-lbs*

*Thread Locking Compound (Loctite) is recommended for all bolts*

11. Install any optional T Nuts 1 in rail BD now
12. Attach end plates 6 to BD by driving in fasteners with a hammer or mallet
13. Thread Foot 5 into legs, adjust feet for floor surface, and tighten jam nut
14. See precautions above

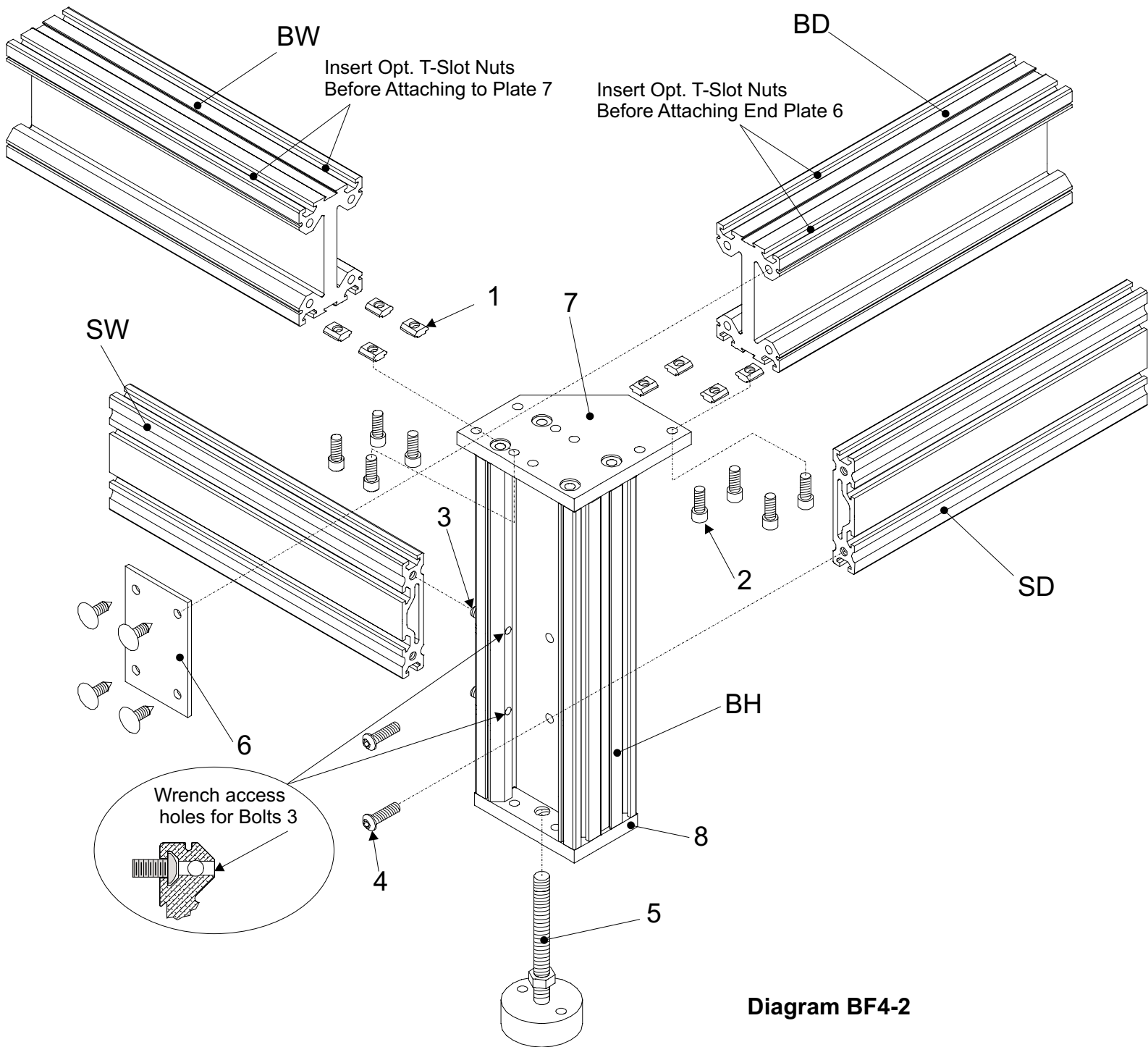


7550 State Rt. 5 & 20 Bloomfield NY 14469  
Tel: 585-657-6151 Fax: 585-657-6153

Internet: [www.bislide.com](http://www.bislide.com)  
[www.velmex.com](http://www.velmex.com)

Email: [bislide@velmex.com](mailto:bislide@velmex.com)

# BISLIDE Leg Assembly Detail F4 Model Bases



**Diagram BF4-2**

1. Part # MTN-1 T-Slot Nut, 8 Rqd/ Leg, 32 Total
2. 1/4-20 x 5/8 Socket Head Cap Bolts, 8 Rqd/ Leg, 32 Total
3. 1/4-20 x 1/2 Button Head Bolts, 2 Rqd/ Leg, 8 Total
4. 1/4-20 x 1 Button Head Bolts, 2 Rqd/ Leg, 8 Total
5. Part # LFS-1 Adjustable Leveling Foot, 1 Rqd/ Leg, 4 Total
6. Part # EPS Plastic End Plate and Fasteners, 1 Rqd/ Leg, 4 Total
7. Part # MSPP-3 Leg Corner Plate, 1 Rqd/ Leg, 4 Total
8. Part # MSPP-1 Foot Plate, 1 Rqd/ Leg, 4 Total