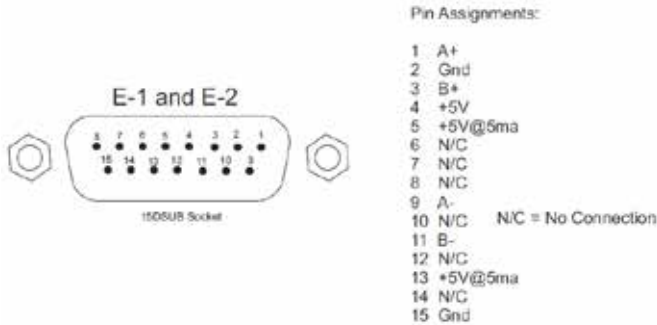


Encoder Connections and Cable Wiring

Encoder Connection to VRO™

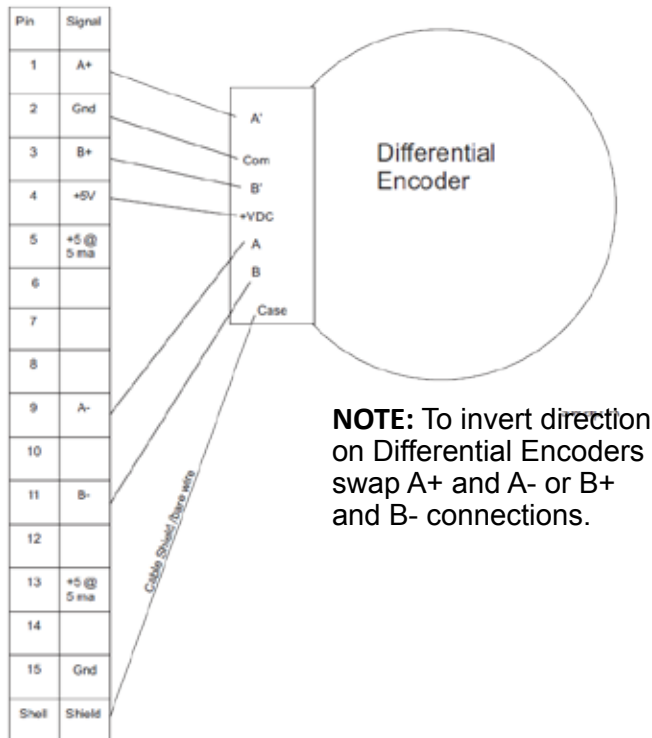
Encoders read the position of the carriage (slider) of Velmex stages when used in conjunction with the Velmex VRO Readout. Precision encoders offered include magnetic, inductive or rotary.

The pin assignments represent the encoder cable connection at the VRO Readout:



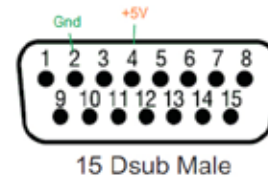
Cable Connection to the Encoder

The pin assignments for Differential Encoders are as follows:



Encoder Cable Connector

(Encoder/cable end shown)



Color of unterminated wires for the various Encoders offered by Velmex.

| Pin | AMO | ELGO | EPC |
|-----|--------|--------|--------|
| 1 | green | violet | yellow |
| 2 | blue | white | black |
| 3 | brown | yellow | green |
| 4 | red | brown | white |
| 9 | yellow | green | brown |
| 11 | white | orange | red |



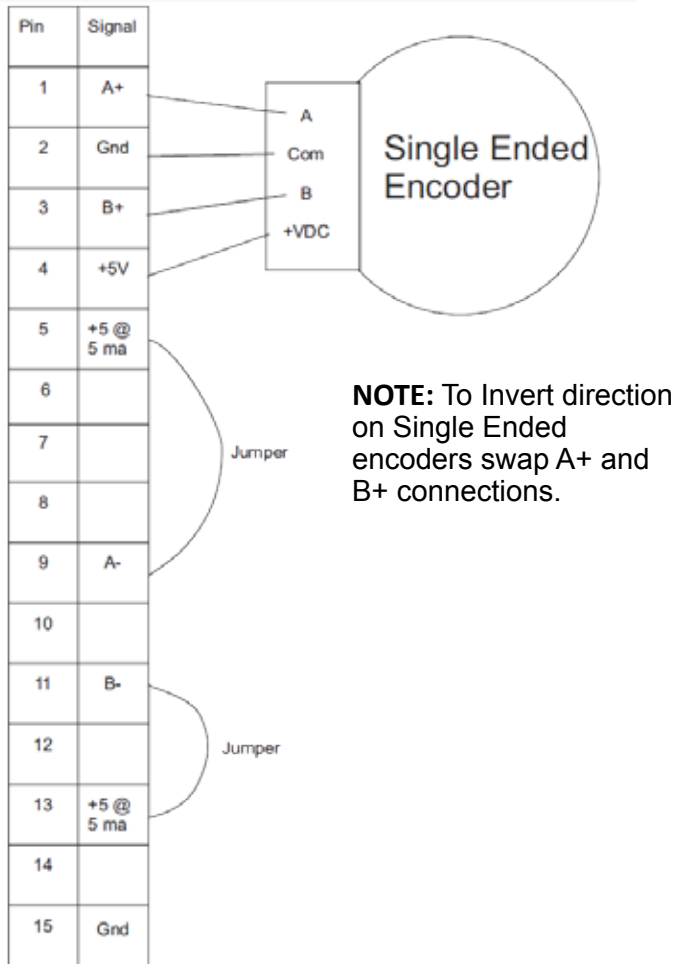
Velmex, Inc.
7550 State Routes 5 & 20
Bloomfield, NY 14469-9389

TF: 1.800.642.6446
P: +1.585.657.6151
F: +1.585.657.6153

www.velmex.com
info@velmex.com

Cable Connection to the Encoder

The pin assignments for a Single Ended Encoder are as follows:



Color of unterminated wires for the HEDs single ended Encoder offered by Velmex.

| Pin | HEDs |
|----------|--------|
| 1 | white |
| 2 | black |
| 3 | green |
| 4 | red |
| 5 to 9 | jumper |
| 11 to 13 | jumper |