

VXM™ Controller Rack Mount Assembly Procedure



**** Read complete instructions before beginning assembly process.**

Components Supplied

Rack Mount Panel - 1 or (2) VXM openings 1 Panel

Description	Qty.	Description	Qty.
¼-20 x ¾" Black Allen Head Screws	2 (4)	6-20 x ¾" Thread Forming Screws	4 (8)
¼-20 x ⅝" Coupling Nuts	2 (4)	Black Wire Tie- 6"	
¼-20 x 6" Carriage Bolts	2 (4)	(Power Supply Cable)	1 (2)
4-40 Square Nuts	4 (8)	Black Wire Tie- 15"	
"L" Bracket	4 (8)	(Power Supplies)	2 (4)
4-40 x ⅝" Machine Screws	4 (8)	Self Adhesive Cable Clamp	0 (1)
#4 Internal Tooth Star Washers	4 (8)	Black Wire Tie- 4" (Bus Cable)	0 (1)
Bus Cable	0 (1)		

Assembly Instructions

Refer to Diagram 1

1. From front (beveled) side of panel insert the ¼-20 x ¾" black allen head screws into the round holes on the perimeter of the panel.
2. Attach the ¼-20 x ⅝" coupling nuts and tighten.
3. Thread the ¼-20 x 6" carriage bolts onto the coupling nuts and tighten.

Refer to Image 1 and 2

4. Insert a 4-40 square nut into each of the grooves on the top and bottom of the VXM Controller. Tap to secure.
5. Attach an L-bracket to each of the square nuts using 4-40 x ⅝" machine screws and star washers. - **DO NOT TIGHTEN**
6. Install bus cable to controllers, if used.

Refer to Image 3

7. Install 6-20 x ¾" thread forming screws from front side of panel and into the 4 L-brackets attached to the controller, being careful to route the bus cable in the notch provided.
8. Align controller to panel cut-out and tighten all hardware.
9. Plug the power supply connector into the VXM control and secure the excess cable with the 6" black wire tie.
10. Place the power supply between the 6" carriage bolts with the cable end toward the panel. Secure the power supply with the 2 black wire ties provided.
11. Fold the excess bus cable and secure it to the back of the panel between the 2 VXMs using the self-adhesive cable clamp and 4" black wire tie provided.

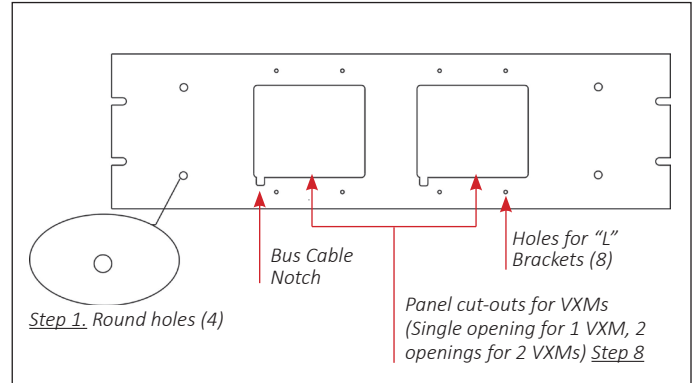


DIAGRAM 1

Front view of panel



IMAGE 1

View of VXM from front



IMAGE 2

View of VXM from front with L-Brackets

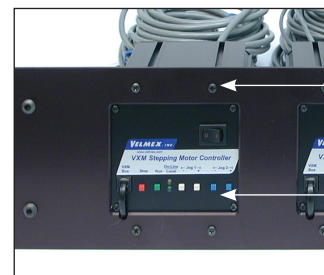


IMAGE 3

View of rack panel with VXM installed



Positioning Systems for Science and Industry

Velmex, Inc.
7550 State Routes 5 & 20
Bloomfield, NY 14469-9389

TF: 1.800.642.6446
P: +1.585.657.6151
F: +1.585.657.6153

www.velmex.com
info@velmex.com