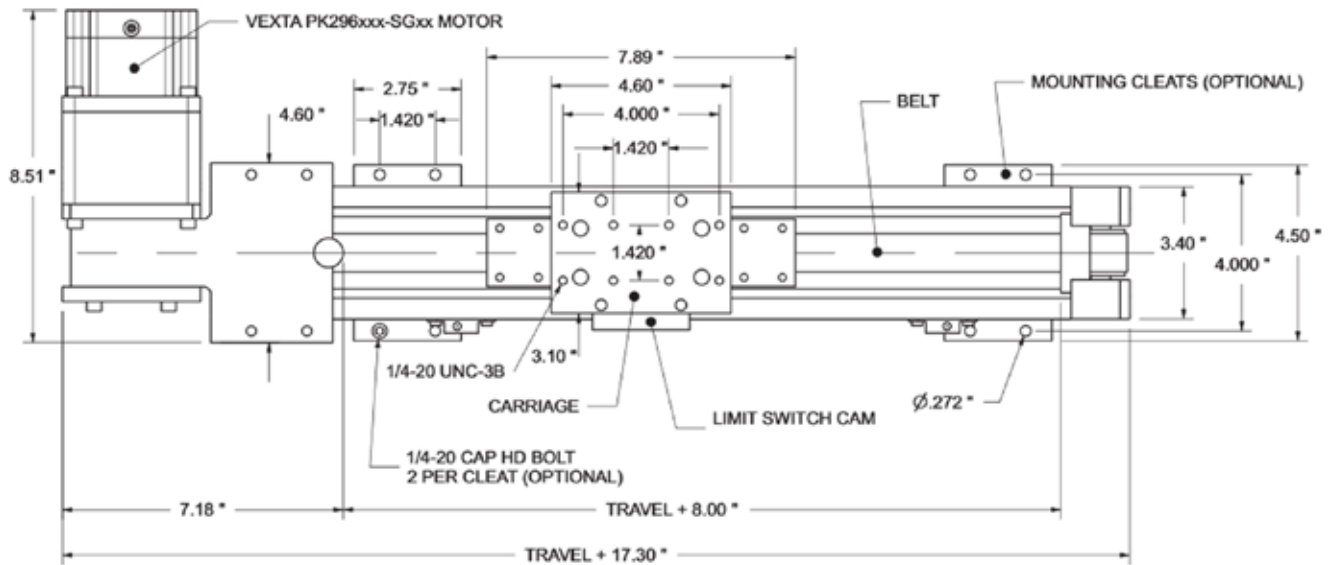


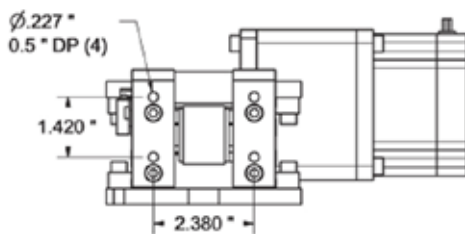
Belt-Driven BiSlide® Dimensional Drawings

BiSlide Assembly (Top view)



Shown with motor and cleats. Both sold separately.

BiSlide Assembly (End view)



Cleat Recommendations

Cleat Attachment

Travel	# Cleats*
20"	6
30"	8
40"	10
60"	14
80"	16
100"	18
120"	20
140"	22
160"	24
180"	26
200"	28
220"	30

*Number of cleats is an average. Use more for heavier loads and fewer for light loads.



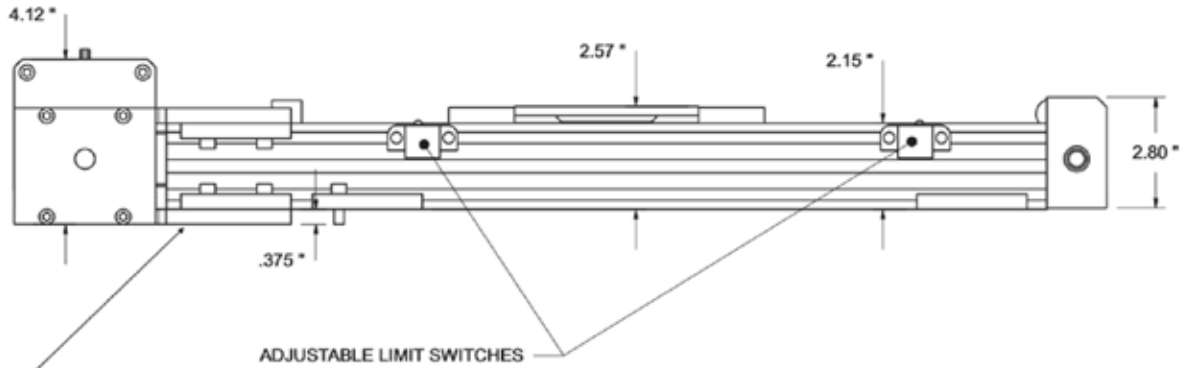
Positioning Systems for Science and Industry

Velmex, Inc.
7550 State Routes 5 & 20
Bloomfield, NY 14469-9389

TF: 1.800.642.6446
P: +1.585.657.6151
F: +1.585.657.6153

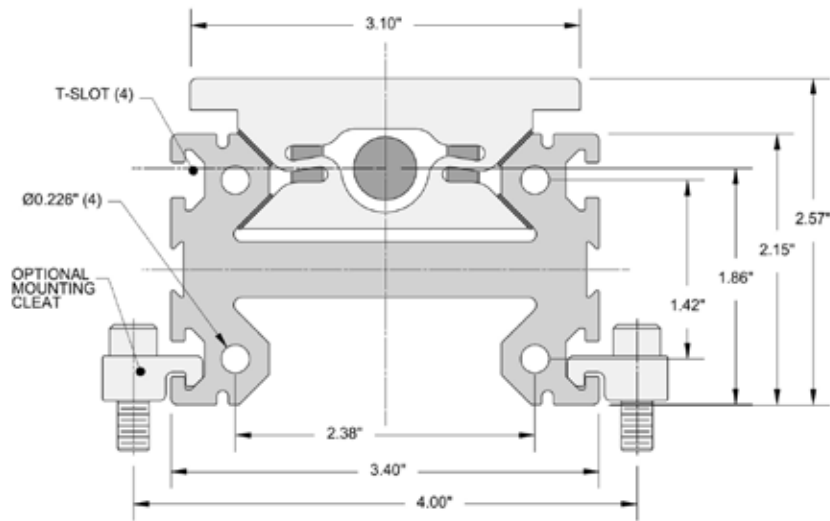
www.velmex.com
info@velmex.com

Belt-Driven BiSlide Assembly (Side view)

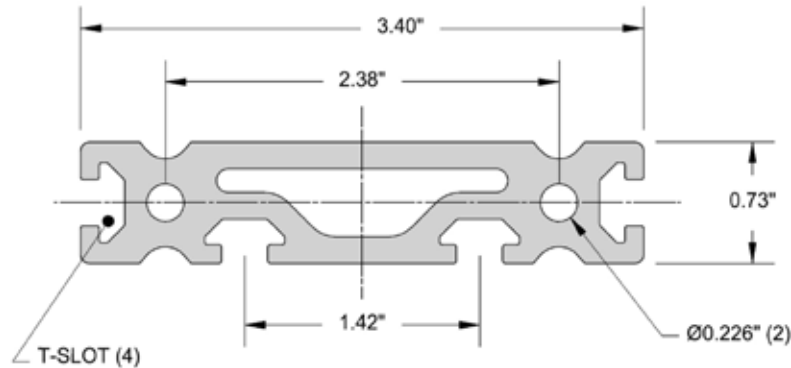


NOTE: Motor Plate extends 0.375" below bottom of Base

BiSlide Carriage (End View)



BiSlide T-Slot Frame



Positioning Systems for Science and Industry

Velmex, Inc.
7550 State Routes 5 & 20
Bloomfield, NY 14469-9389

TF: 1.800.642.6446
P: +1.585.657.6151
F: +1.585.657.6153

www.velmex.com
info@velmex.com