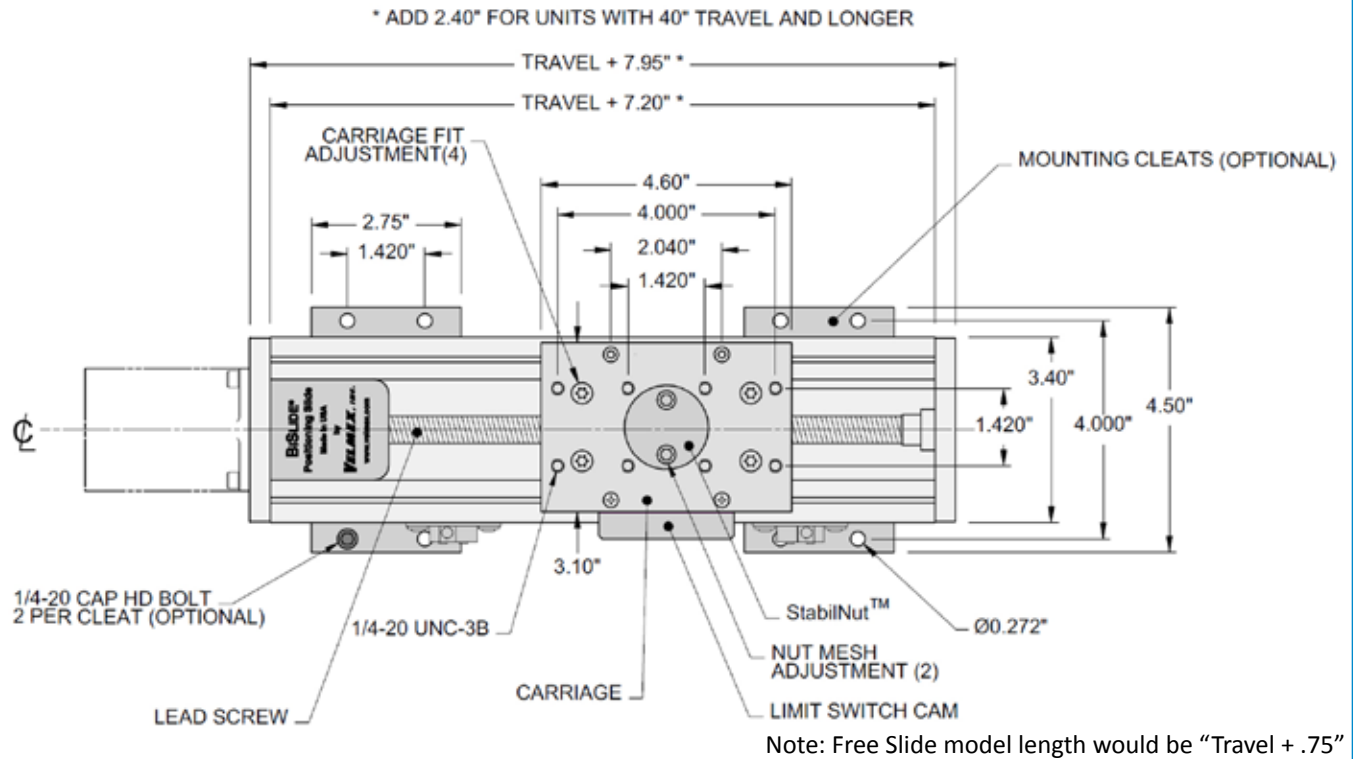
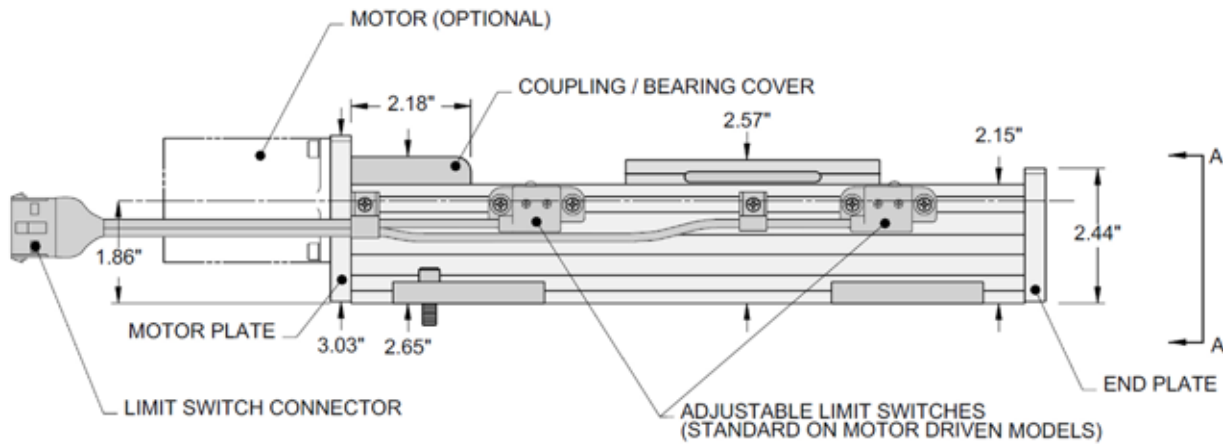


BiSlide® Linear Assembly Dimensional Drawings

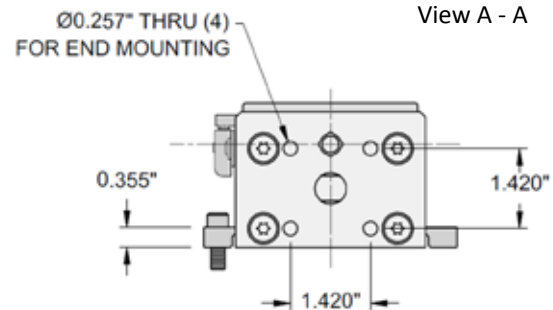
BiSlide Assembly (Top down view)



BiSlide Assembly (Side view)



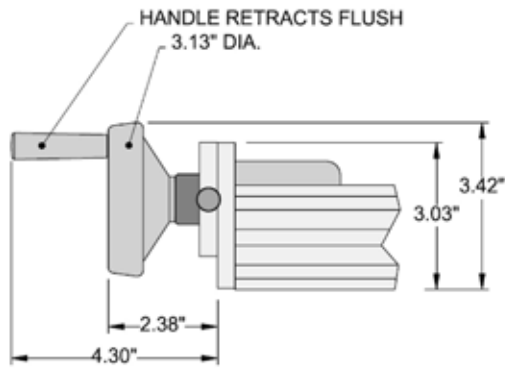
BiSlide Assembly (End View)



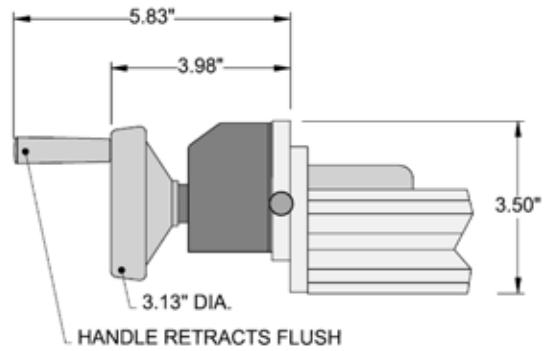
Velmex, Inc.
7550 State Routes 5 & 20
Bloomfield, NY 14469-9389

Positioning Systems for Science and Industry

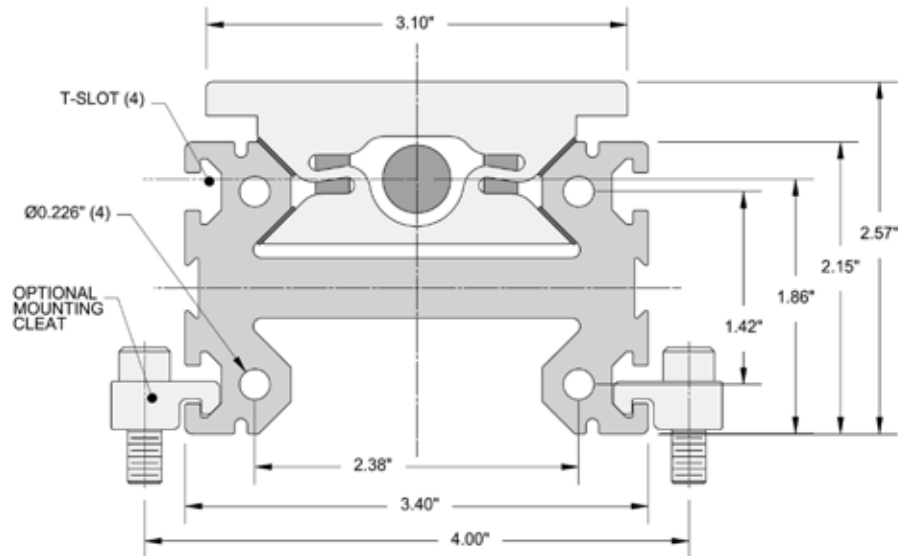
BiSlide Assembly (Crank for manual units)



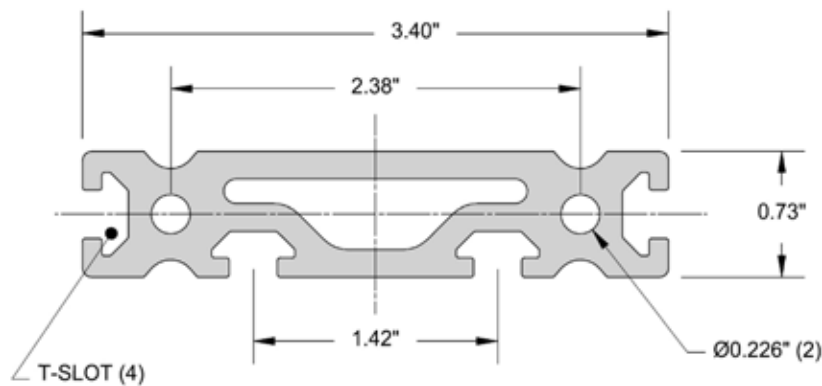
BiSlide Assembly (Crank with counter)



BiSlide Carriage (End View)



BiSlide T-Slot Frame



Positioning Systems for Science and Industry

Velmex, Inc.
7550 State Routes 5 & 20
Bloomfield, NY 14469-9389

TF: 1.800.642.6446
P: +1.585.657.6151
F: +1.585.657.6153

www.velmex.com
info@velmex.com