

Limit Switches for Motorized Linear Stages

Limit Switches are electro-mechanical devices that regulate the motion on positioning devices. On Velmex products they are primarily used to stop/turn off the motor when activated preventing over-travel of the carriage/slider. They also can be used to send an event signal. Velmex uses several different types.

- Adjustable (moveable) limits, which are standard on BiSlide Assemblies and optional on XSlide and UniSlide Assemblies.
- Fixed end of travel limits, which are standard on XSlide Assemblies and optional on UniSlide Assemblies. These are not adjustable.
- Internal limits which are only available on the UniSlide MB90 Series.

BiSlide® Limits



UniSlide® Limits

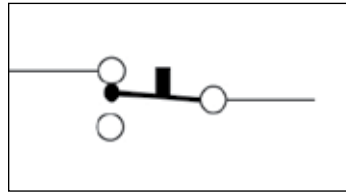
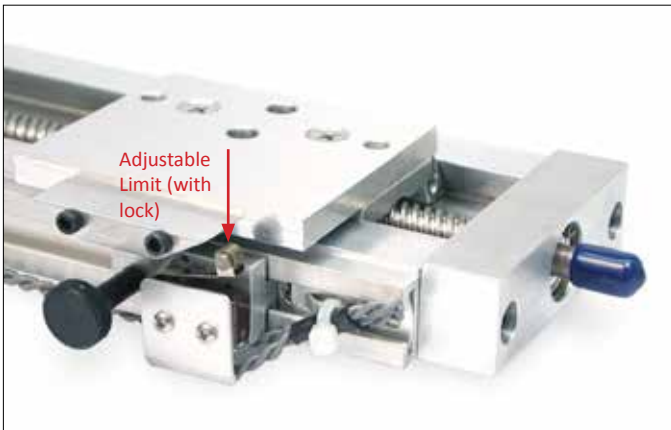


Diagram 1.

Typical limit switch used by Velmex. The default mode is auto-detect normally closed switches.

- Home switches, which actually reference a point rather than limit travel, are used on Rotary Tables and can be used on XSlide Assemblies.

It is possible to purchase motor-driven Velmex stages without limits, however, it is not recommended and it may effect the warranty should you incur any damage.

Adjustable limits (Standard) - Velmex BiSlide Assemblies have two adjustable limit switches mounted in a track on the side rib of the assembly to prevent over-travel. An optional third limit switch can be added between the two standard limits and used as an adjustable home switch. (This would require a different controller.)

BiSlide limit switches are referenced by either a “-21” or “-31” at the end of the model number. On Parallel-Coupled BiSlide Assemblies, the limits would be eliminated from one of the two linear stages that comprise the assembly.

Adjustable Limits (Optional) - Mounted on the side rib of Velmex UniSlide Assemblies, these two switches can be used to stop travel. These are ordered as a separate part number (OBLS).

Available on all UniSlide Series and UniSlide XY Tables.

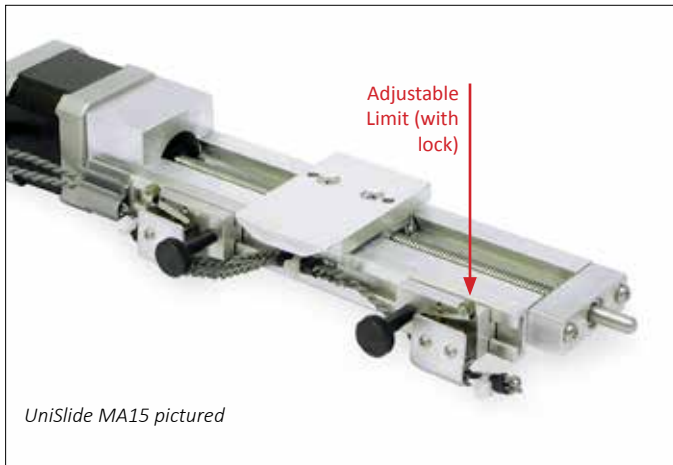


Positioning Systems for Science and Industry

Velmex, Inc.
7550 State Routes 5 & 20
Bloomfield, NY 14469-9389

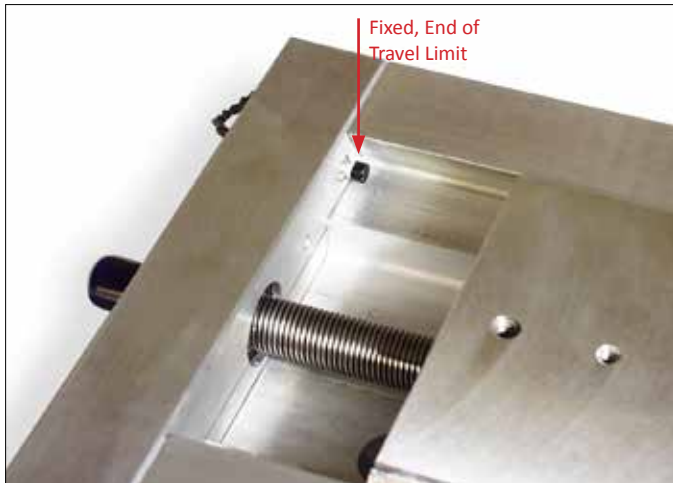
TF: 1.800.642.6446
P: +1.585.657.6151
F: +1.585.657.6153

www.velmex.com
info@velmex.com



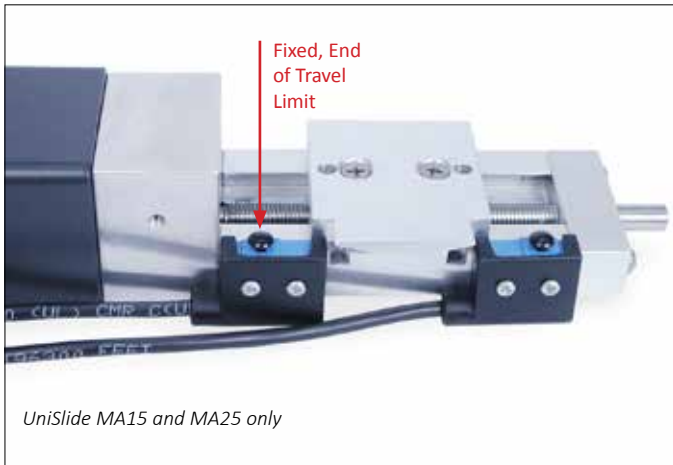
UniSlide MA15 pictured

UniSlide® Adjustable Limits (Continued) - The adjustable limits are located inside a rail that runs the length of the UniSlide® base. A 1/4" cam plate is added to the carriage/slide that depresses the cam when the carriage encounters it and activates the switch. Thumb locks affix the limit in the proper position.



UniSlide Fixed, End-of-travel Limits (Optional) - These push button switches are fixed on the side rib of Velmex UniSlide Assemblies. They are not adjustable. On all UniSlide Series except the MA15 and MA25 the limits are built into the end plate of the slide. On the MA15 and MA25 Series they are outboard switches affixed to the side rib. These are ordered as a separate part number which begins 3-934.

Also available on UniSlide XY Tables.



UniSlide MA15 and MA25 only

Fixed, End of Travel Limits (Optional) - Outboard fixed, end-of-travel limits available on the MA15 and MA25 UniSlide Assemblies.



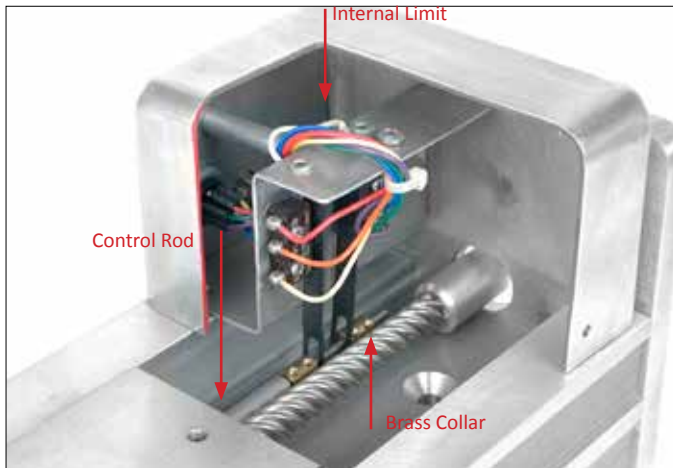
Positioning Systems for Science and Industry

Velmex, Inc.
7550 State Routes 5 & 20
Bloomfield, NY 14469-9389

TF: 1.800.642.6446
P: +1.585.657.6151
F: +1.585.657.6153

www.velmex.com
info@velmex.com

UniSlide® Limits (continued)

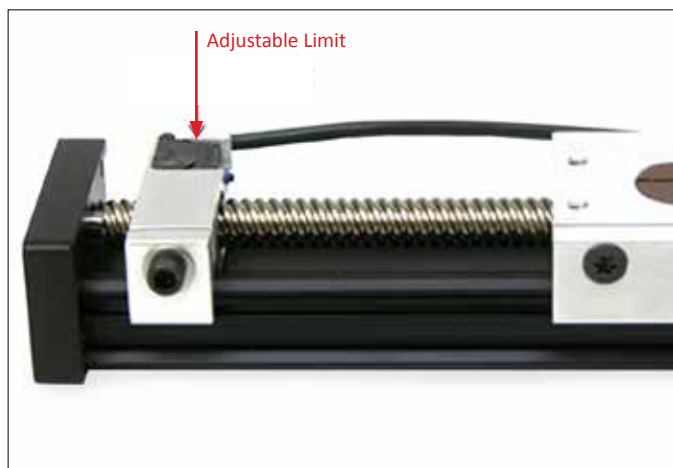


Internal Limits (MB90 Only - Standard) - They consist of two switches, a control rod mounted along side the lead screw with two moveable brass collars and cover a top an additional 3” of dovetail base as shown. The collars are positioned on the control rod to activate the limits. The internal limits on the MA90 Series UniSlide Assembly are referenced by the letter “J” at the end.

XSlide™ Limits



Fixed Limits (Standard) - XSlide Assemblies have two fixed, end-of-travel limit switches built into the end plates. XSlide fixed limit switches are referenced by either a “-21” or “-71” at the end of the model number.



Adjustable Limits (Optional) - Moveable limit switches can be added as an option to motorized XSlide Assemblies. These switches can be used to stop travel within the overall travel distance of the XSlide. When installed the adjustable limits reduce travel distance by 1.2” (3.05 cm). These are ordered as a separate part number (XSW-X-PR).



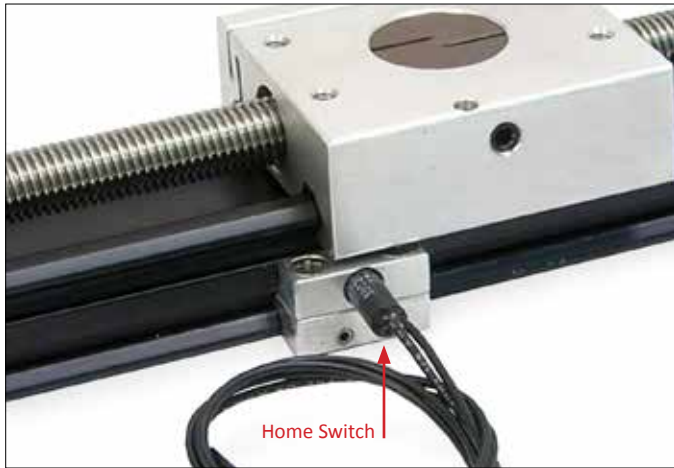
Positioning Systems for Science and Industry

Velmex, Inc.
7550 State Routes 5 & 20
Bloomfield, NY 14469-9389

TF: 1.800.642.6446
P: +1.585.657.6151
F: +1.585.657.6153

www.velmex.com
info@velmex.com

XSlide™ Limits (continued)



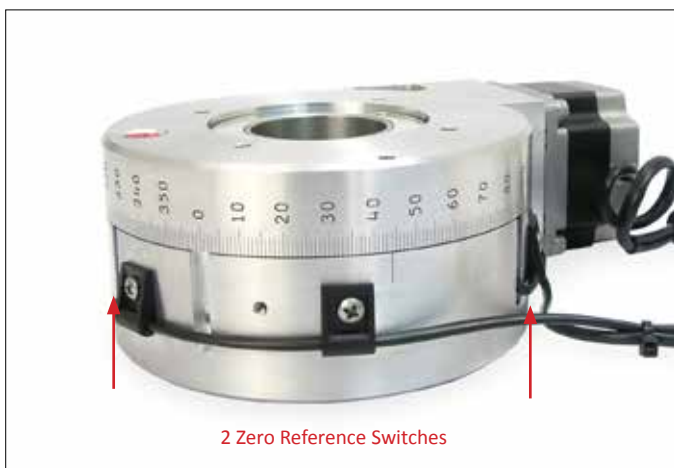
Magnetic Reed Home Switch (Optional) - A magnetic reed home switch sets a reference point to return the carriage to home (starting) position. This is moveable. Ordered as a separate part number (XSW-M). Commonly used on the XSlide™, a mechanical version is also available for BiSlide® and UniSlide® Assemblies.

Mechanical home switches can be added to UniSlide and BiSlide linear stages. Switches used in this manner require an additional controller.

Rotary Table Limits/Home Switch



Magnetic Home Switch (Optional) – A magnetic reed home switch sets and returns the carriage to home (starting) position on Velmex Rotary Tables. Ordered as a separate part number (3-934-RR).



Limit Switches (Optional)– Using two zero-reference (home) switches on a Rotary Table creates limits that restrict travel to a specific degree arc.



Positioning Systems for Science and Industry

Velmex, Inc.
7550 State Routes 5 & 20
Bloomfield, NY 14469-9389

TF: 1.800.642.6446
P: +1.585.657.6151
F: +1.585.657.6153

www.velmex.com
info@velmex.com

Velmex Product	Available Limit Switches			Home Switch
	Adjustable	Fixed, End-of-Travel	Internal	
BiSlide® Assemblies	Standard	N/A	N/A	Optional* (Mechanical)
UniSlide® MA15 Series	Optional	Optional (Outboard)	N/A	Optional* (Mechanical)
UniSlide® MA25 Series	Optional	Optional (Outboard)	N/A	Optional* (Mechanical)
UniSlide® MA40 Series	Optional	Optional	N/A	Optional* (Mechanical)
UniSlide® MA60 Series	Optional	Optional	N/A	Optional* (Mechanical)
UniSlide® MB90 Series	Optional	Optional	Standard	Optional* (Mechanical)
UniSlide® XY Tables	Optional	Optional	N/A	N/A
XSlide™ Assemblies	Optional	Standard	N/A	Optional* (Magnetic)
Rotary Tables	N/A	N/A (Can be produced with 2 zero reference home switches)	N/A	Optional (Magnetic)

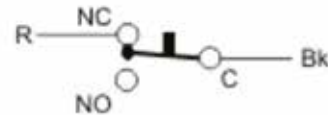
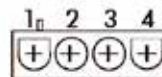
*Requires an additional control other than VXM™ Controller

Limit Switch Wiring for VXM™ Controller

	Pin	Switch	Cable
Inner Switch (Motor End)*	1	C	W
	2	NC	R
Outer Switch (End Plate)	3	NC	Gn
	4	C	Bk

* Negative direction on VXM controllers

Connector on
Switch Harness



Amp1-480703-0 (mates with:1-480702-0)

*Negative direction on VXM controllers

Connector on Switch Harness are wired on the normally closed (NC) terminals.

CAUTION: The VXM puts 24VDC on the limit switches. Do not connect limit inputs to any +5V logic devices.



Positioning Systems for Science and Industry

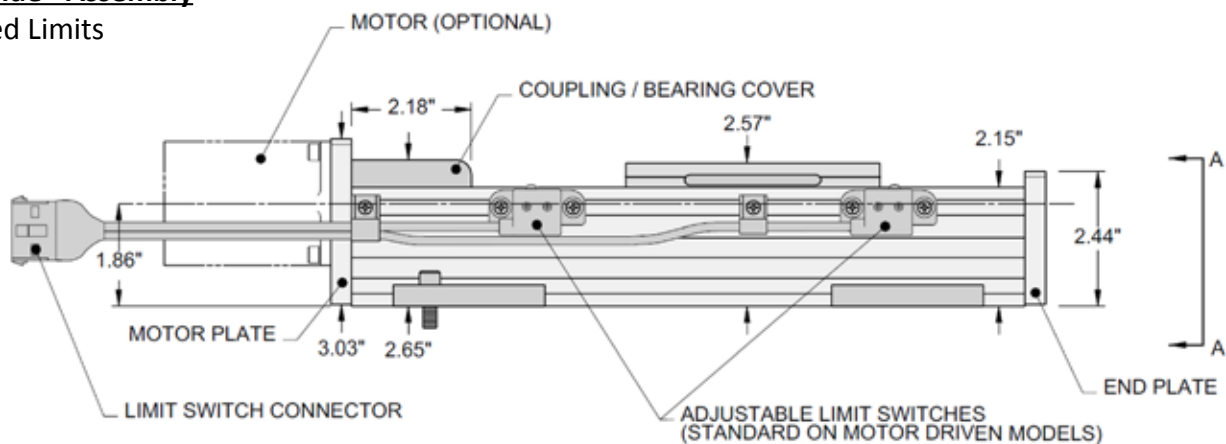
Velmex, Inc.
7550 State Routes 5 & 20
Bloomfield, NY 14469-9389

TF: 1.800.642.6446
P: +1.585.657.6151
F: +1.585.657.6153

www.velmex.com
info@velmex.com

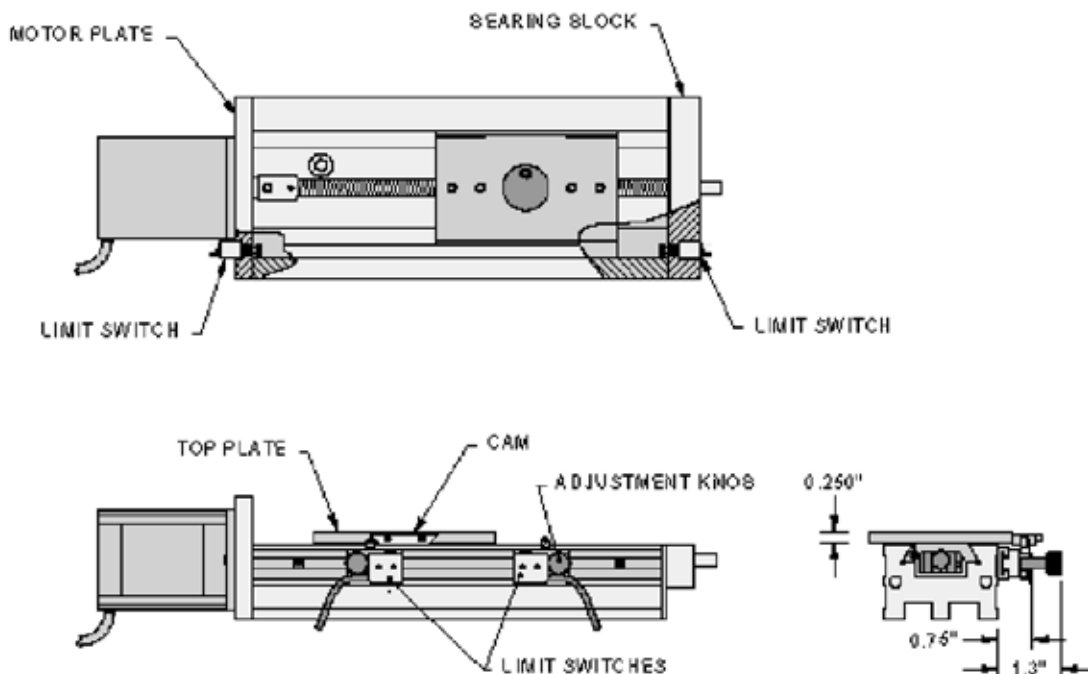
BiSlide® Assembly

Fixed Limits



UniSlide® Assembly

Adjustable Limits



Positioning Systems for Science and Industry

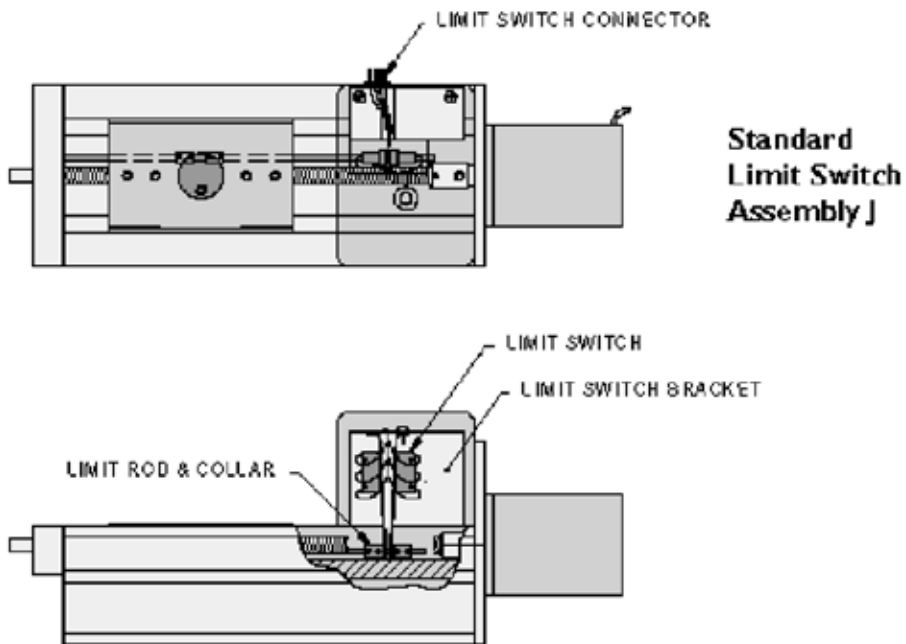
Velmex, Inc.
7550 State Routes 5 & 20
Bloomfield, NY 14469-9389

TF: 1.800.642.6446
P: +1.585.657.6151
F: +1.585.657.6153

www.velmex.com
info@velmex.com

UniSlide® Assembly - MB90

Internal Limits



Standard
Limit Switch
Assembly J



Positioning Systems for Science and Industry™

Velmex, Inc.
7550 State Routes 5 & 20
Bloomfield, NY 14469-9389

TF: 1.800.642.6446
P: +1.585.657.6151
F: +1.585.657.6153

www.velmex.com
info@velmex.com