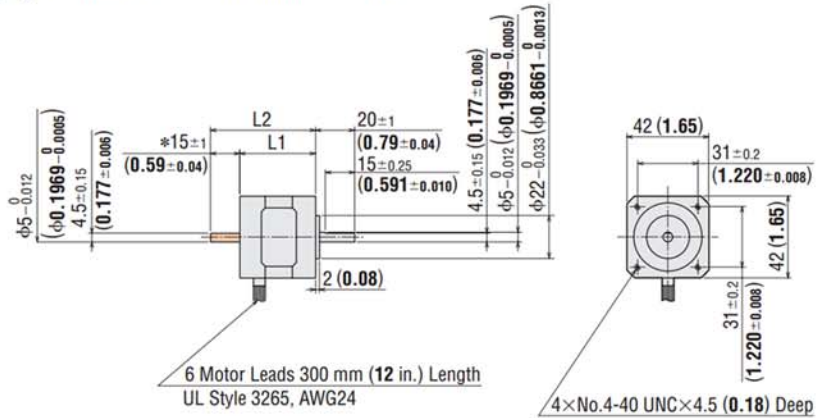


Dimensions Unit = mm (in.)

The dimensions of a motor with an encoder can be found on page A-19 or at www.orientalmotor.com.

Model	L1	L2	Mass kg (lb.)	DXF
PK243-0□AA	33 (1.30)	—	0.21 (0.46)	B081U
PK243-0□BA	—	48 (1.89)	—	—
PK244-0□AA	39 (1.54)	—	0.27 (0.59)	B082U
PK244-0□BA	—	54 (2.13)	—	—
PK245-0□AA	47 (1.85)	—	0.35 (0.77)	B083U
PK245-0□BA	—	62 (2.44)	—	—

● Enter the winding specification in the box (□) within the model name.



* The length of machining on the double shaft model is 15 ± 0.25 (0.591 ± 0.010).

● These dimensions are for the double shaft models. For the single shaft models, ignore the orange (■) area.

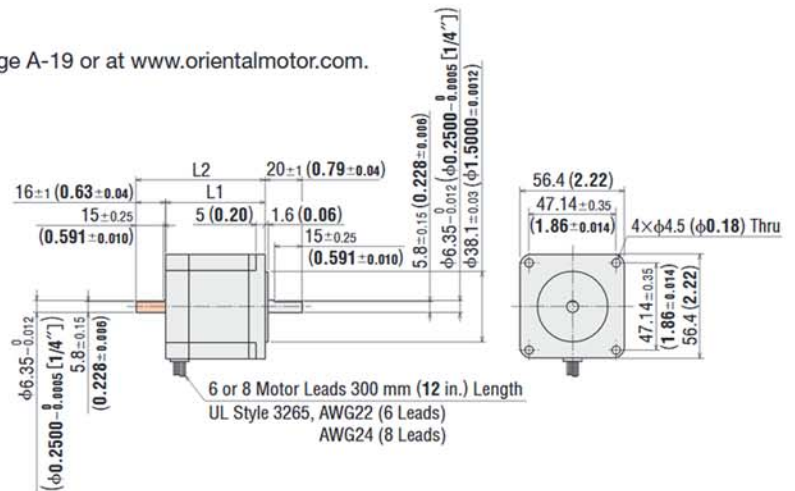
Dimensions Unit = mm (in.)

The dimensions of a motor with an encoder can be found on page A-19 or at www.orientalmotor.com.

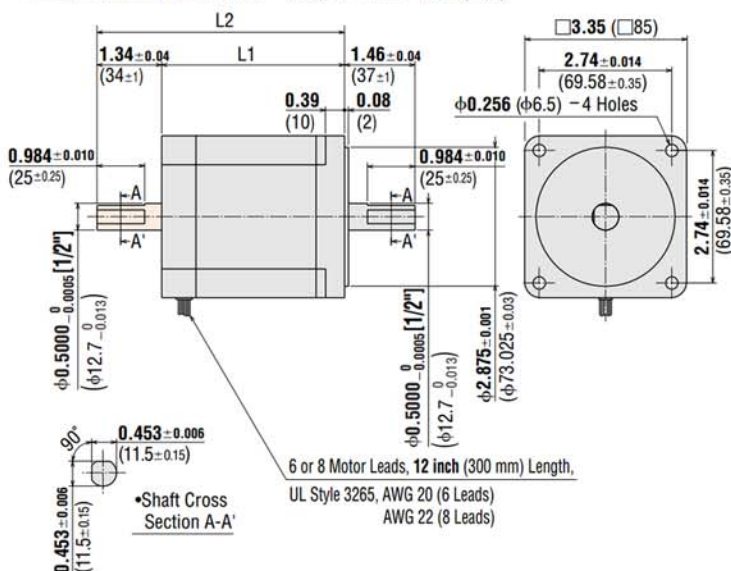
Model	L1	L2	Mass kg (lb.)	DXF
PK264-0□A	39 (1.54)	—	0.45 (0.99)	B084
PK264-E2.0A		55 (2.17)		
PK264-0□B	54 (2.13)	—	0.7 (1.54)	B085
PK264-E2.0B		70 (2.76)		
PK266-0□A	76 (2.99)	—	1 (2.2)	B086
PK266-E2.0A		92 (3.62)		
PK266-0□B	—	—	—	—
PK266-E2.0B		—		

● Enter the winding specification in the box (□) within the model name.

● These dimensions are for the double shaft models. For the single shaft models, ignore the orange (■) area.



Dimensions Scale 1/4, Unit = inch (mm)



Model	L1 inch (mm)	L2 inch (mm)	Weight lb. (kg)	DXF
PK296-0□AA	2.60 (66)	—	3.7 (1.7)	B122U
PK296-F4.5A		3.94 (100)		
PK296-0□BA	—	—	—	—
PK296-F4.5B		—		

● Enter the winding specification in the box (□) within the model name.

● These dimensions are for double shaft models. For single shaft models, ignore the shaded area.