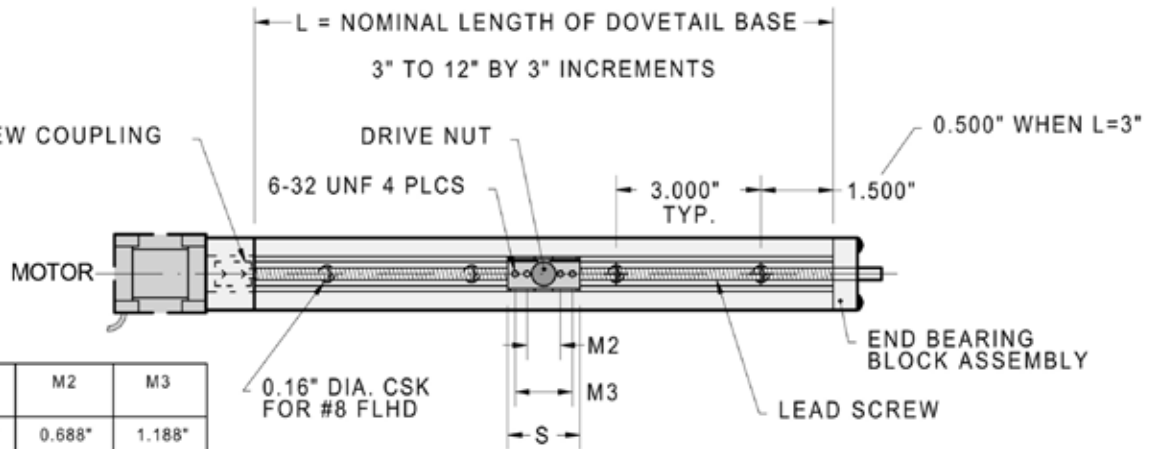


# UniSlide® Linear Assembly Dimensional Drawings

## Motorized MA15 Series UniSlide

### Top View

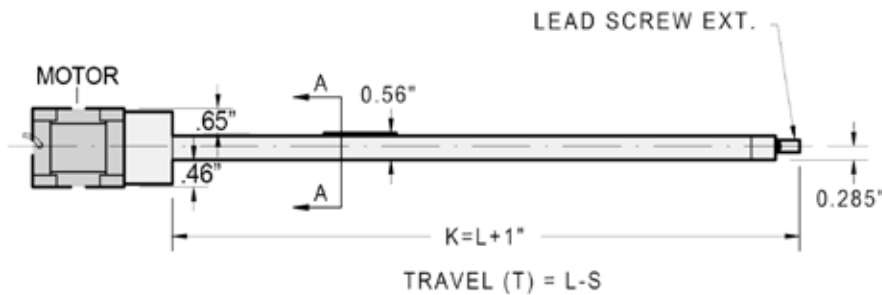


SLIDER LENGTH S	M2	M3
STANDARD 1.50"	0.688"	1.188"
OPTIONAL 2.00"	1.188"	1.688"
OPTIONAL 3.00"	1.188"	2.688"

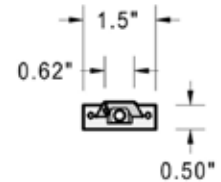
### LEAD SCREW EXTENTIONS:

- 0.50" X 0.218" DIA. FOR B/P20 LEAD SCREW
- " 0.231" DIA. FOR C/P40 LEAD SCREW
- " 0.250" DIA. FOR K1,K2/Q1,Q2 LEAD SCREW

### Side View



### End View A-A



Positioning Systems for Science and Industry

Velmex, Inc.  
7550 State Routes 5 & 20  
Bloomfield, NY 14469-9389

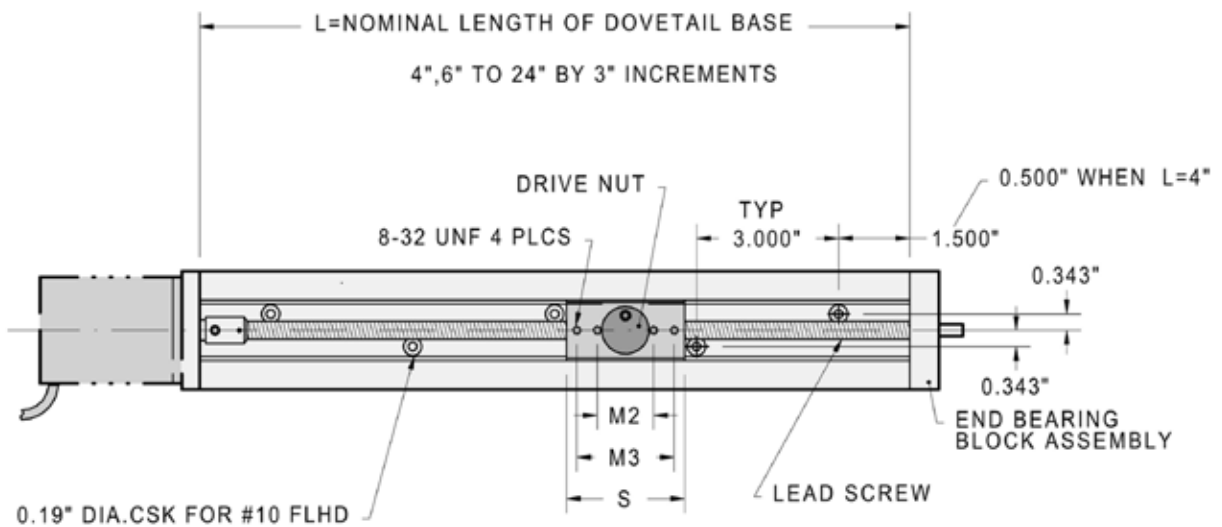
TF: 1.800.642.6446  
P: +1.585.657.6151  
F: +1.585.657.6153

www.velmex.com  
info@velmex.com

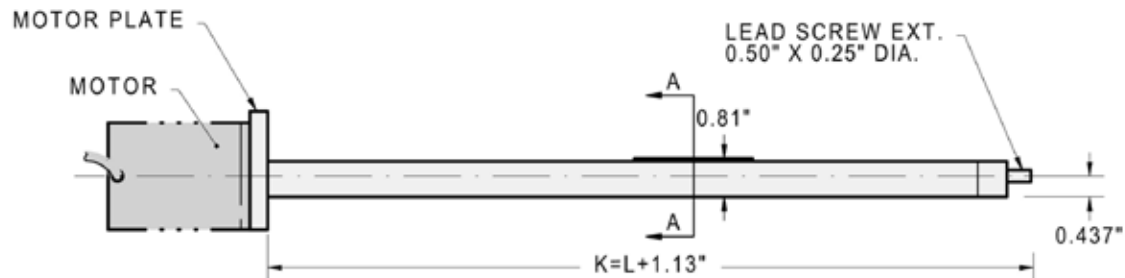
# UniSlide® Linear Assembly Dimensional Drawings

## Motorized MA25 Series UniSlide

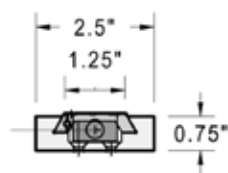
### Top View



### Side View



### End View A-A



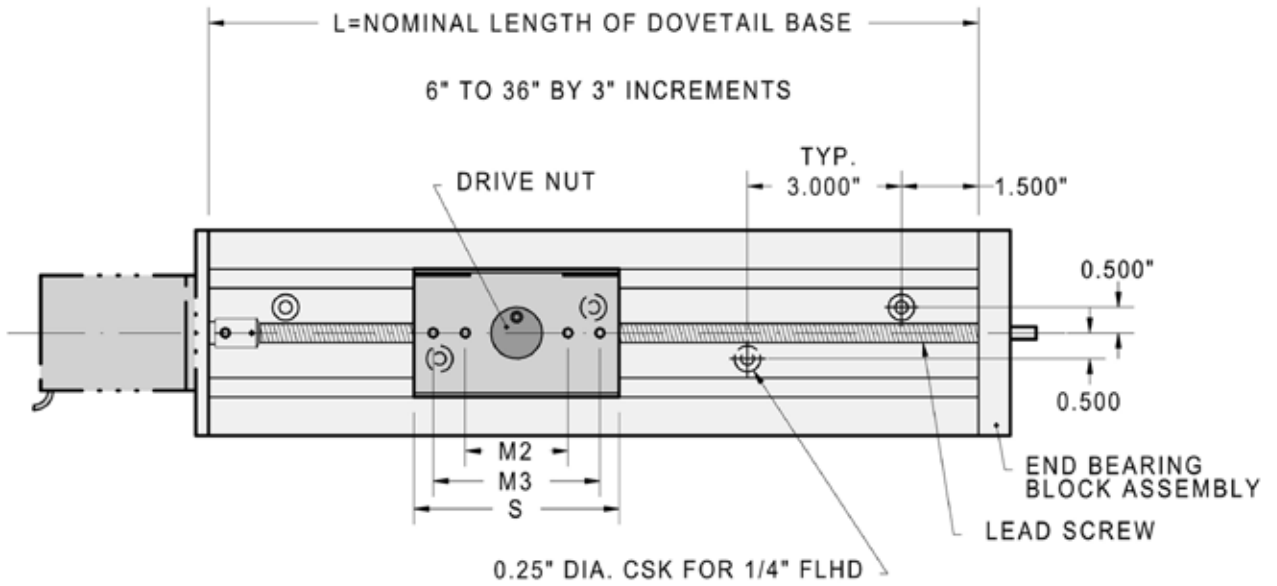
SLIDER LENGTH S	M2	M3
STANDARD 2.50"	1.188"	2.062"
OPTIONAL 3.00"	2.062"	2.562"
OPTIONAL 4.00"	2.062"	3.562"

$$\text{TRAVEL (T)} = (L-S) - 1.0"$$

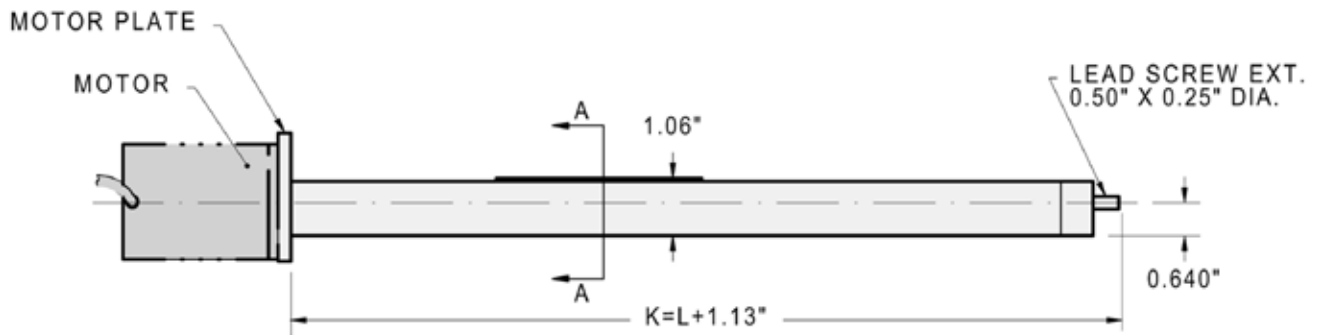


Motorized MA40 Series UniSlide

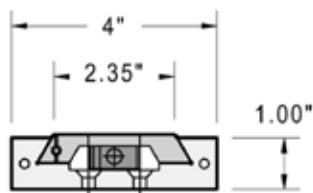
**Top View**



**Side View**



**End View A-A**



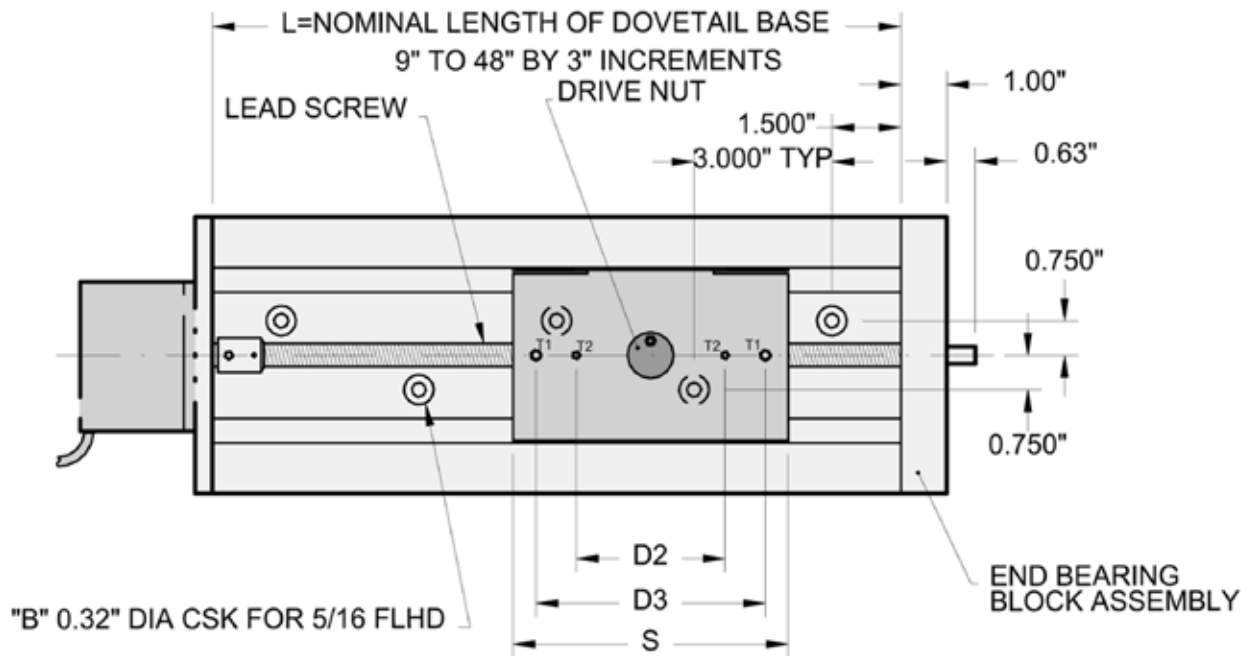
SLIDER LENGTH S	M2	M3
STANDARD 4.00"	2.000"	3.250"
OPTIONAL 6.00"	3.250"	5.250"

TRAVEL (T) = (L-S) - 1.0"

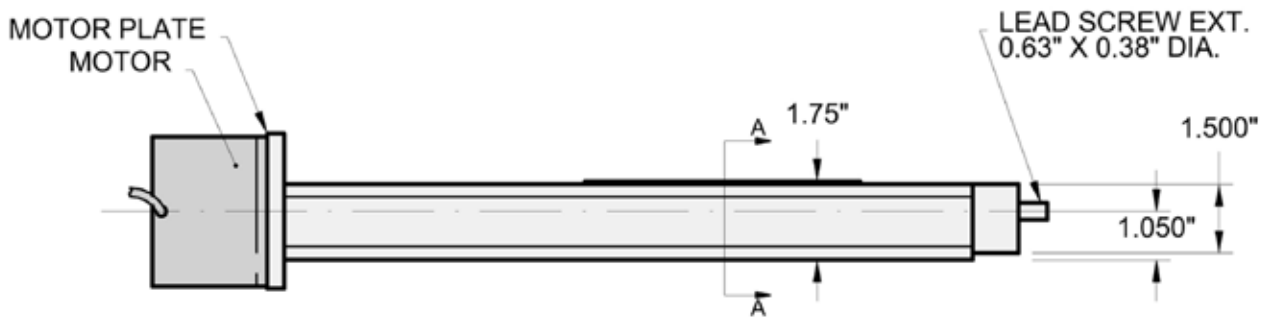
# UniSlide® Linear Assembly Dimensional Drawings

## Motorized MA60 Series UniSlide

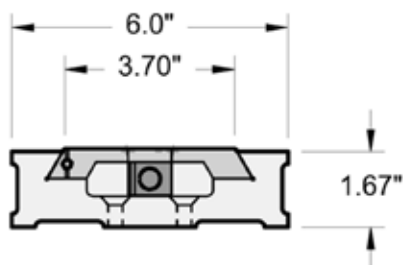
### Top View



### Side View



### End View A-A



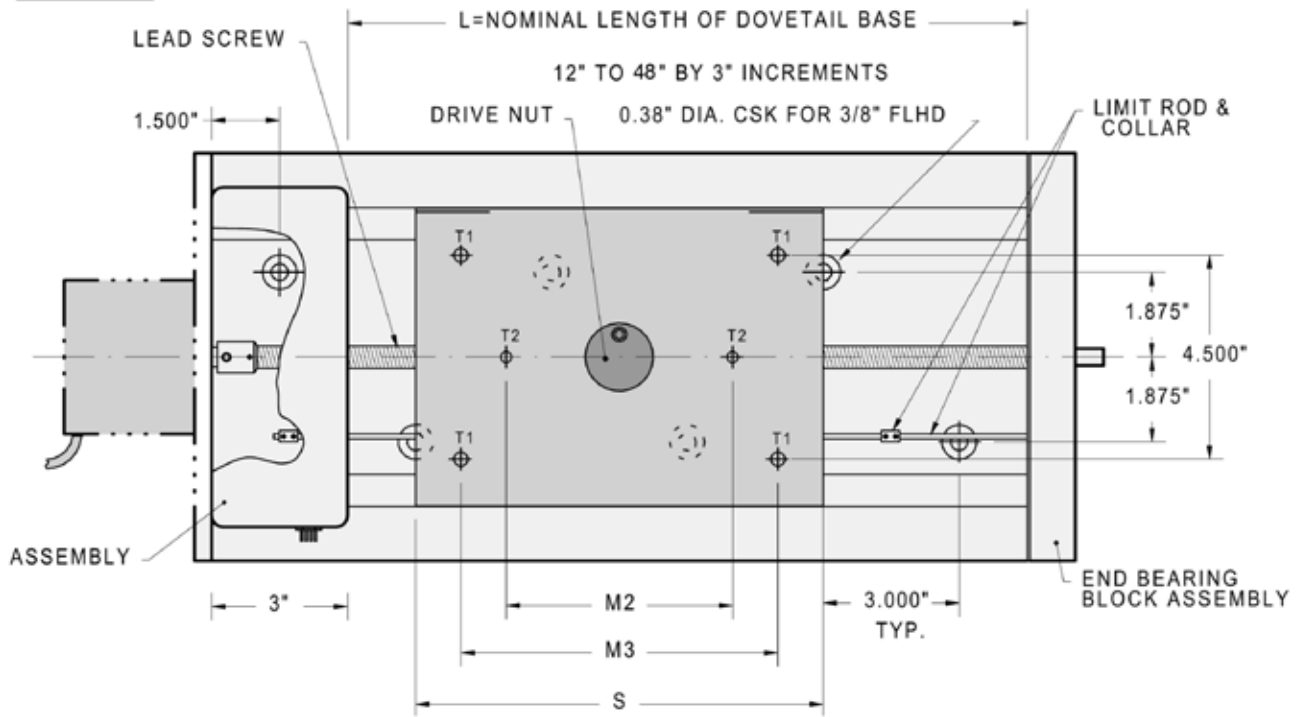
	SLIDER LENGTH S	D2	D3	T1	T2
STANDARD	6.00"	3.250"	5.000"	1/4-20	10-32
OPTIONAL	8.00"	5.000"	7.000"	1/4-20	1/4-20

$$\text{TRAVEL (T)} = (L-S) - 1.0"$$

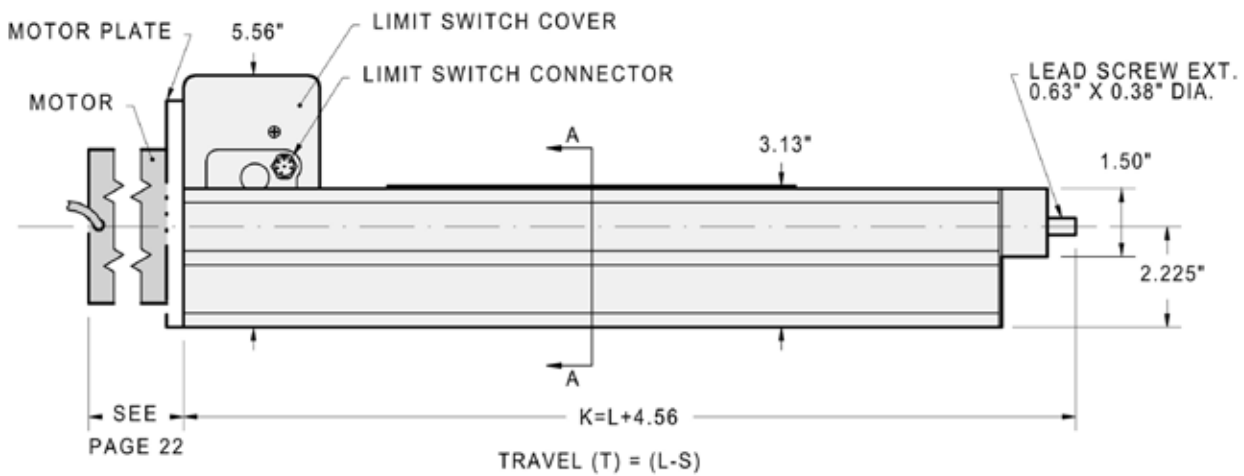


# Motorized MB90 Series UniSlide

## Top View



## Side View



SLIDER LENGTH S	M2	M3	T1	T2
STANDARD 9.00"	5.000"	7.000"	5/16-18	1/4-20
OPTIONAL 12.00"	5.000"	10.000"	5/16-18	1/4-20

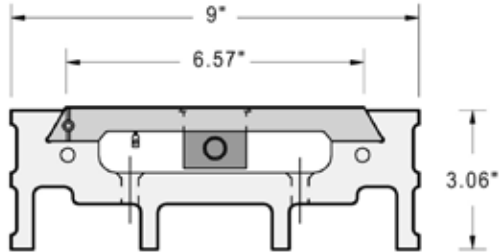


Positioning Systems for Science and Industry

# UniSlide® Linear Assembly Dimensional Drawings

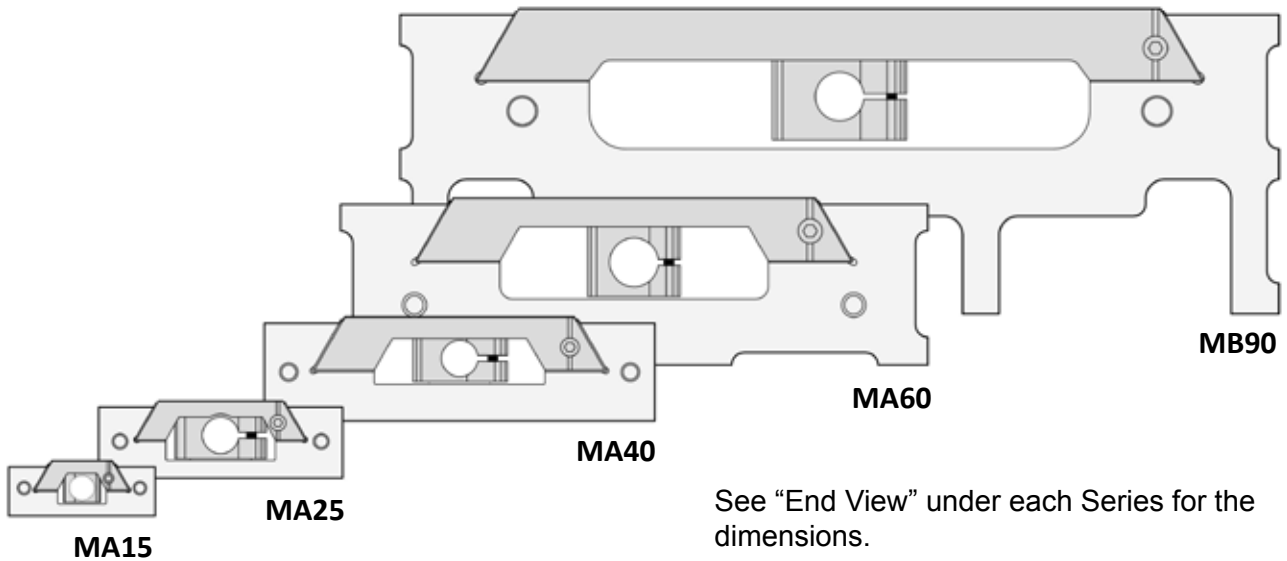
## Motorized MB90 Series UniSlide - con't

### End View A-A



A motorized UniSlide Assembly

## Motorized UniSlide Cross-Section Comparison



See "End View" under each Series for the dimensions.

**Note:** Dimensions of the motors can be found with the motor specifications.



Positioning Systems for Science and Industry

Velmex, Inc.  
7550 State Routes 5 & 20  
Bloomfield, NY 14469-9389

TF: 1.800.642.6446  
P: +1.585.657.6151  
F: +1.585.657.6153

www.velmex.com  
info@velmex.com