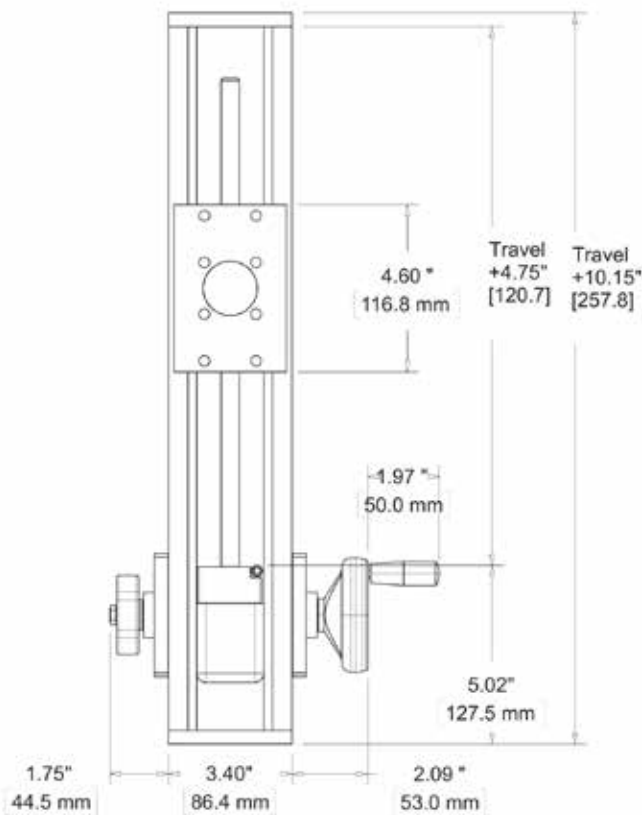
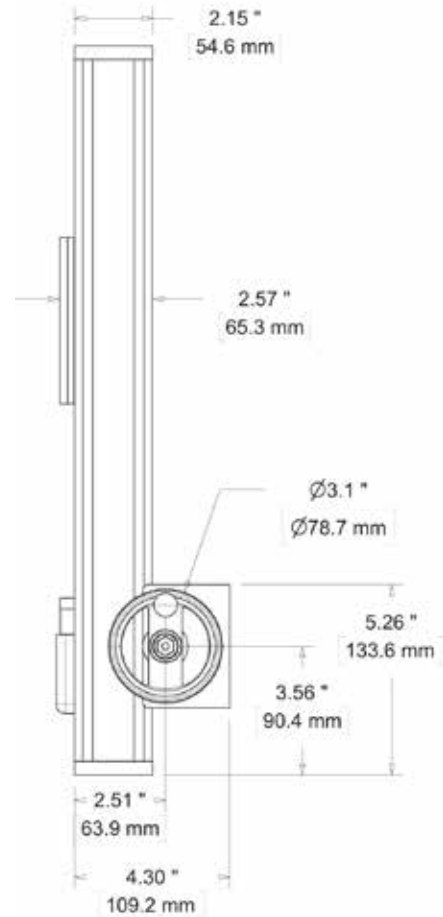


# Side Knob BiSlide® Dimensional Drawings

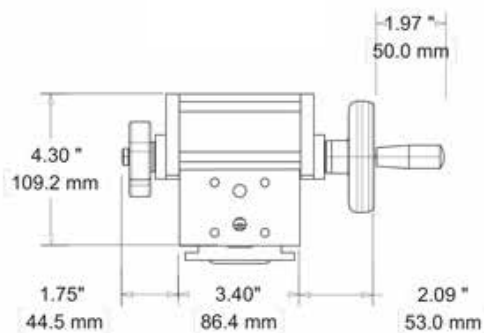
BiSlide Assembly (Front view)



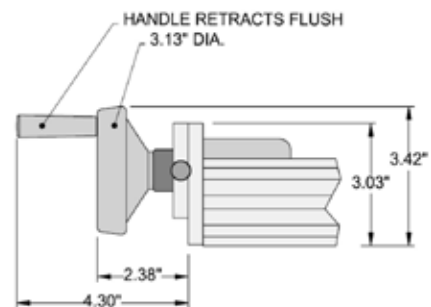
BiSlide Assembly (Side view)



BiSlide Assembly (Top down / End view)



BiSlide Assembly (Shown crank for manual units)



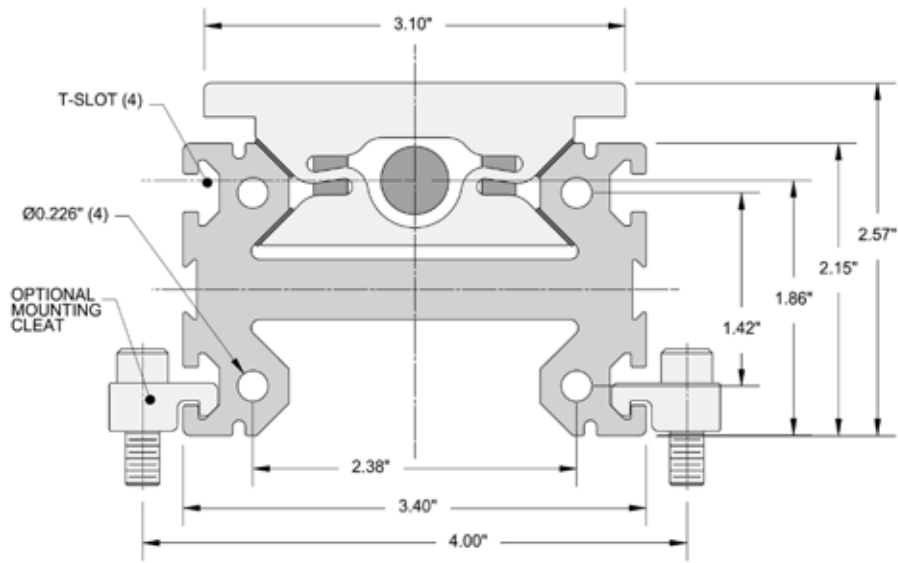
Positioning Systems for Science and Industry

Velmex, Inc.  
7550 State Routes 5 & 20  
Bloomfield, NY 14469-9389

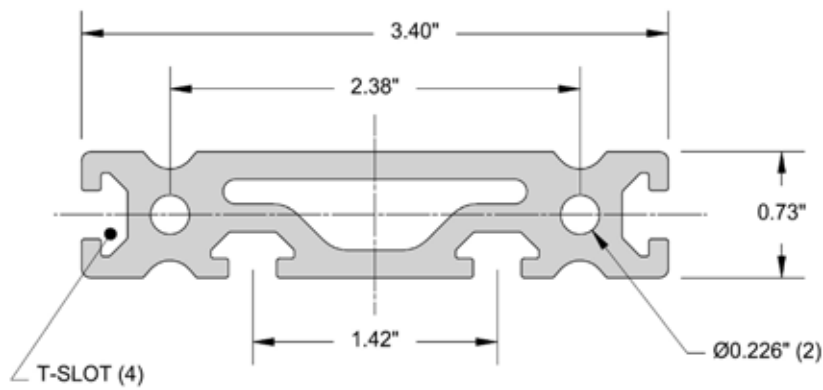
TF: 1.800.642.6446  
P: +1.585.657.6151  
F: +1.585.657.6153

www.velmex.com  
info@velmex.com

### BiSlide Carriage (End View)



### BiSlide T-Slot Frame



Positioning Systems for Science and Industry

**Velmex, Inc.**  
 7550 State Routes 5 & 20  
 Bloomfield, NY 14469-9389

TF: 1.800.642.6446  
 P: +1.585.657.6151  
 F: +1.585.657.6153

www.velmex.com  
 info@velmex.com