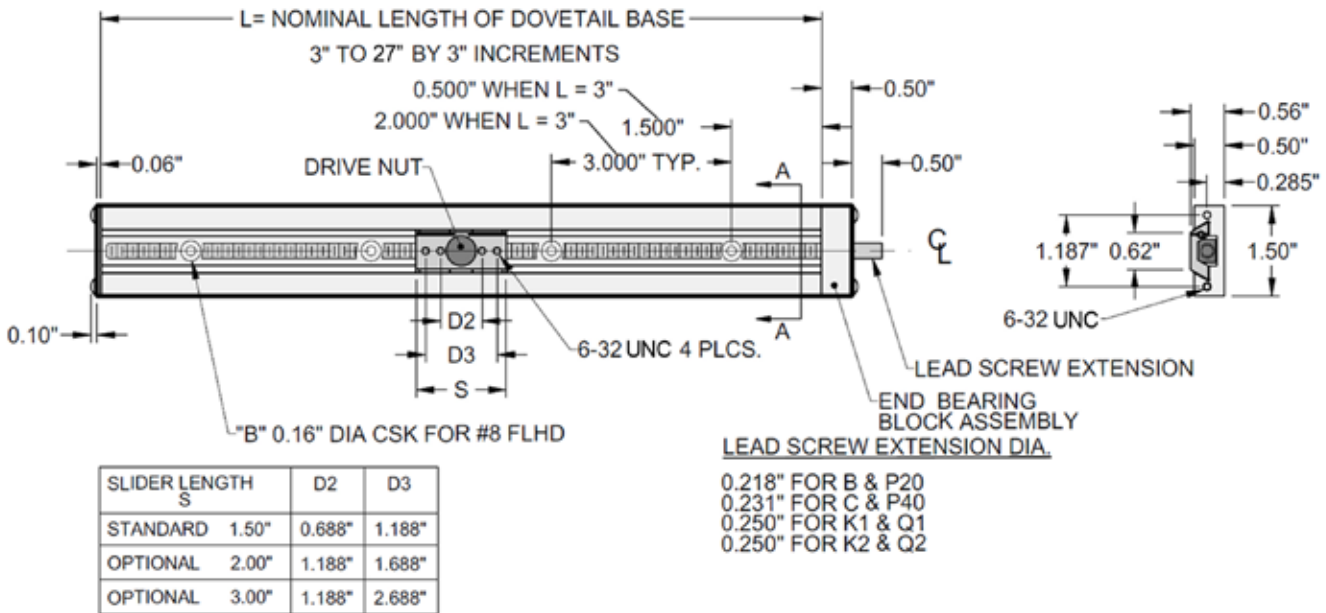


# UniSlide® Linear Assembly Dimensional Drawings

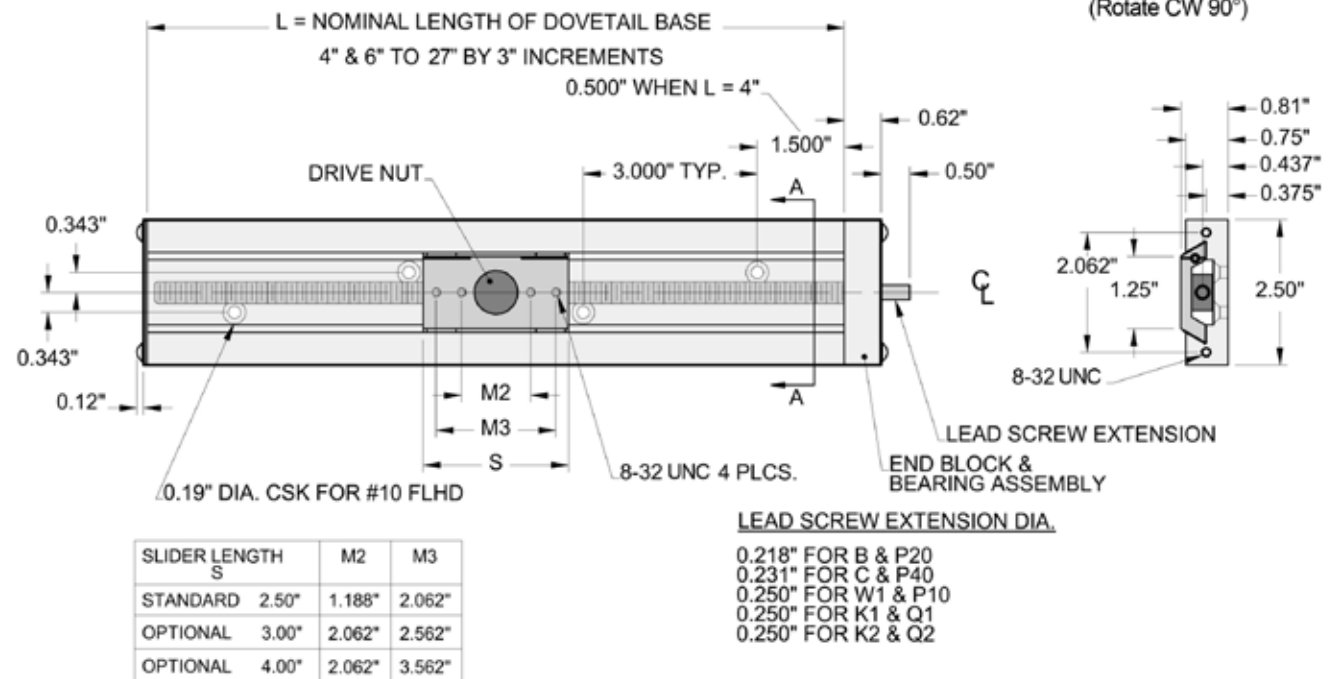
## Manual A15 Series UniSlide

### Top View



## Manual A25 Series UniSlide

### Top View



Positioning Systems for Science and Industry

Velmex, Inc.  
7550 State Routes 5 & 20  
Bloomfield, NY 14469-9389

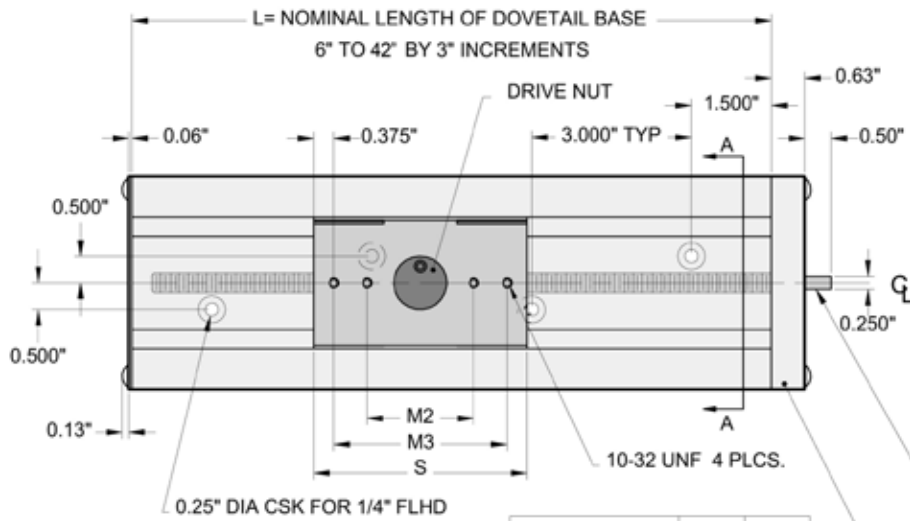
TF: 1.800.642.6446  
P: +1.585.657.6151  
F: +1.585.657.6153

www.velmex.com  
info@velmex.com

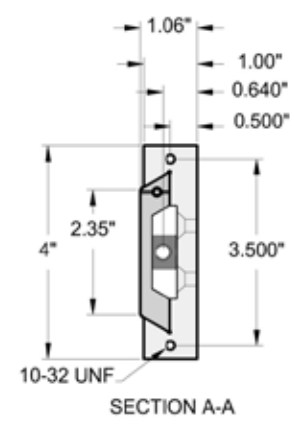
# UniSlide® Linear Assembly Dimensional Drawings

## Manual A40 Series UniSlide

### Top View



### End View A-A (Rotate CW 90°)

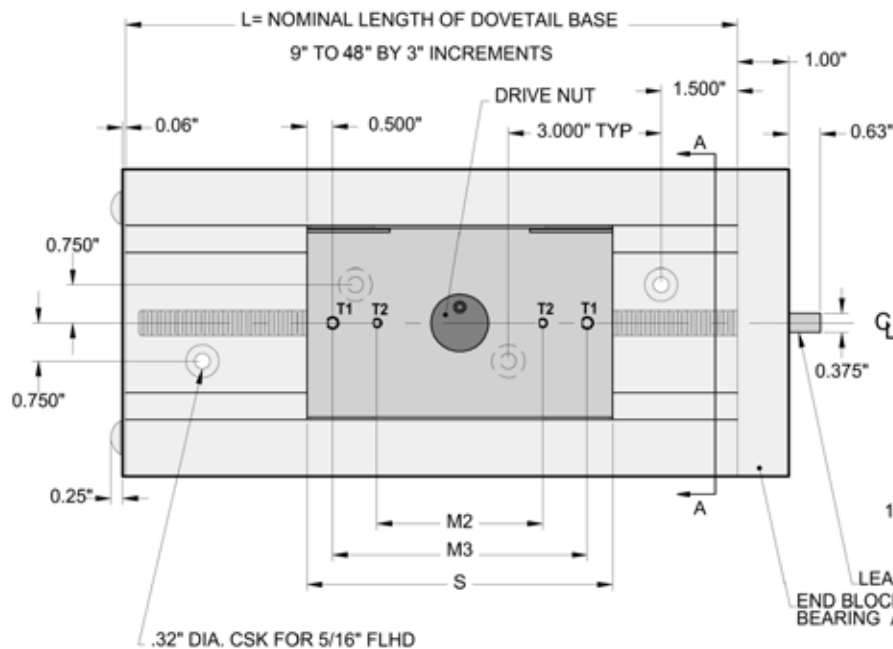


SLIDER LENGTH S	M2	M3
STANDARD 4.00"	2.000"	3.250"
OPTIONAL 6.00"	3.250"	5.250"

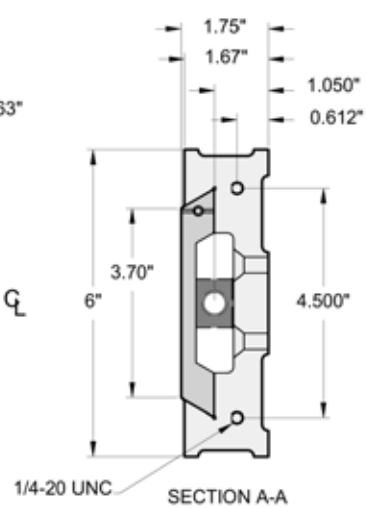
LEAD SCREW EXTENSION  
 END BLOCK & BEARING ASSEMBLY

## Manual A60 Series UniSlide

### Top View



### End View A-A (Rotate CW 90°)



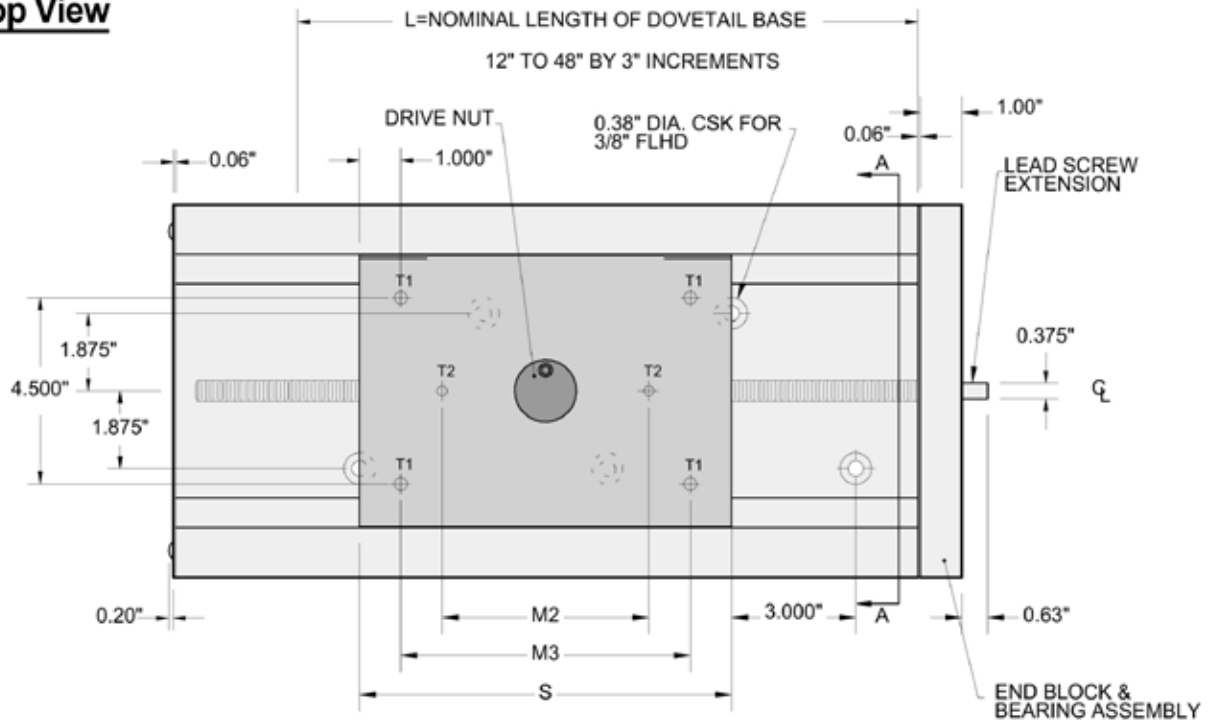
SLIDER LENGTH S	M2	M3	T1	T2
STANDARD 6.00"	3.250"	5.000"	1/4-20	10-32
OPTIONAL 8.00"	5.000"	7.000"	1/4-20	1/4-20

LEAD SCREW EXTENSION  
 END BLOCK & BEARING ASSEMBLY



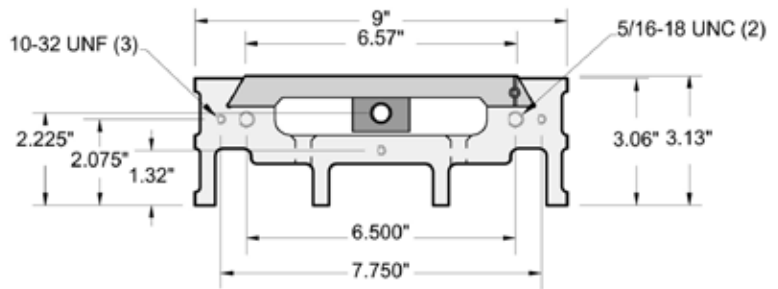
# Manual B90 Series UniSlide

## Top View



## End View A-A

SLIDER LENGTH S	M2	M3	T1	T2
STANDARD 9.00"	5.000"	7.000"	5/16-18	1/4-20
OPTIONAL 12.00"	5.000"	10.000"	5/16-18	1/4-20



Positioning Systems for Science and Industry

Velmex, Inc.  
7550 State Routes 5 & 20  
Bloomfield, NY 14469-9389

TF: 1.800.642.6446  
P: +1.585.657.6151  
F: +1.585.657.6153

www.velmex.com  
info@velmex.com