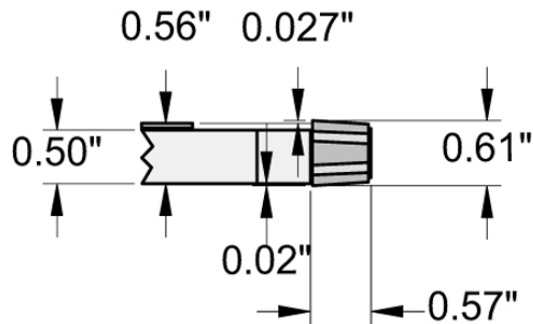


# UniSlide® Knob Drawings

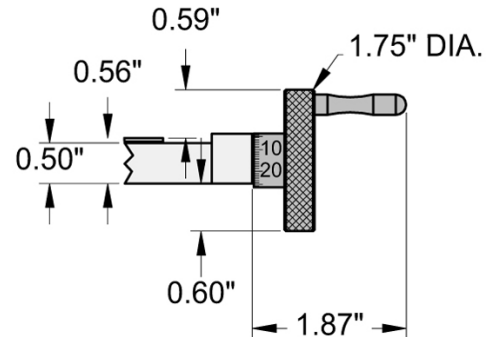
Standard Knobs Available on Manual A15 Series UniSlide Assemblies

## Screw Drive Knob (Also on Left/Right Models)



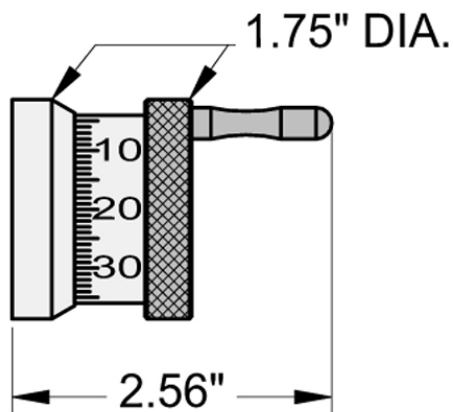
## Graduated Knob - P20 or P40

P20 - 50 division models / P40 - 25 division models

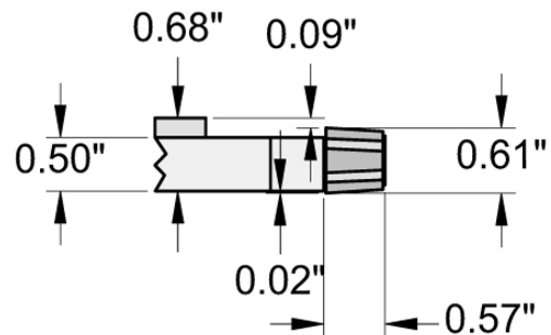


## Graduated Knob - Q1 or Q2

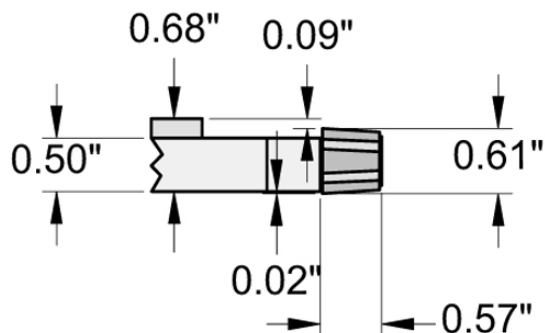
Q1 - 100 division models / Q2 - 200 division models



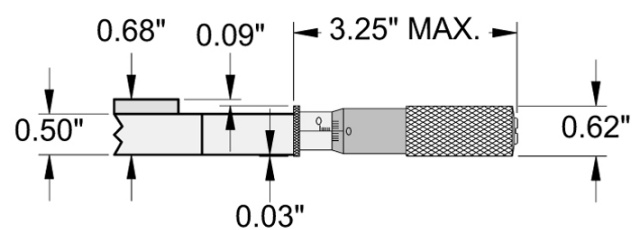
## Scale and Vernier Knob



## Rapid Advance Knob



## Micrometer Knob



Positioning Systems for Science and Industry

Velmex, Inc.  
7550 State Routes 5 & 20  
Bloomfield, NY 14469-9389

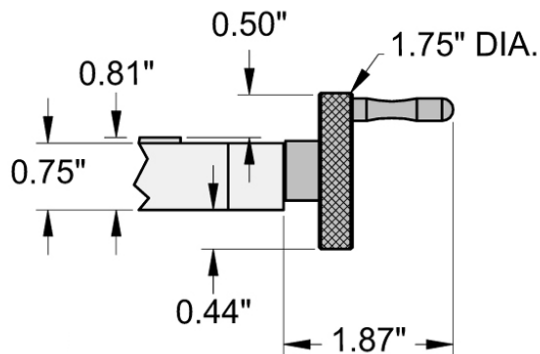
TF: 1.800.642.6446  
P: +1.585.657.6151  
F: +1.585.657.6153

www.velmex.com  
info@velmex.com

# UniSlide® Knob Drawings

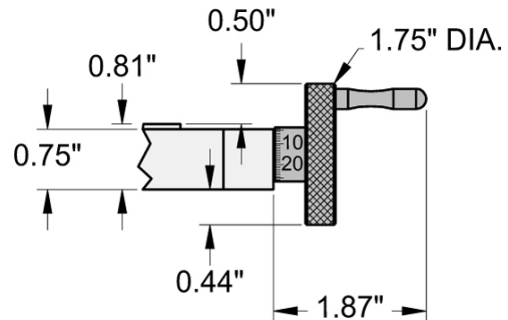
Standard Knobs Available on Manual A25 Series UniSlide Assemblies

## Screw Drive Knob (Also on Left/Right Models)



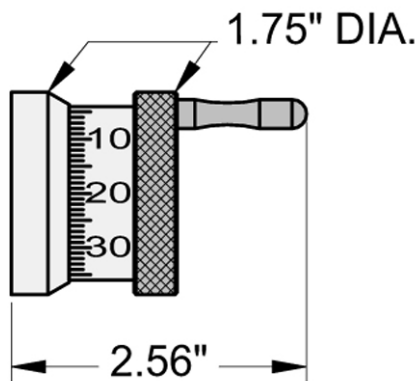
## Graduated Knob - P20 or P40

P20 - 50 division models / P40 - 25 division models

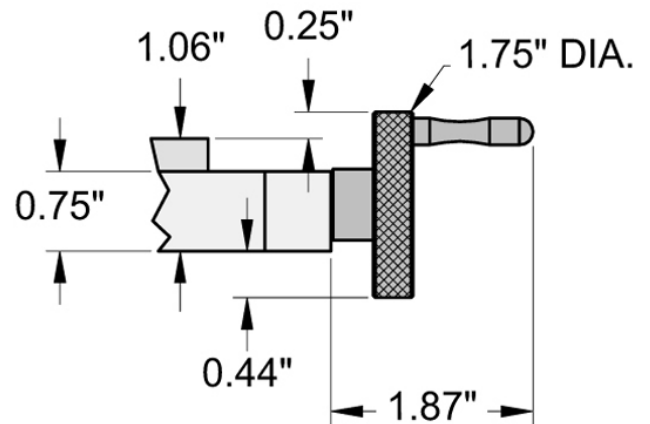


## Graduated Knob - P10, Q1 or Q2

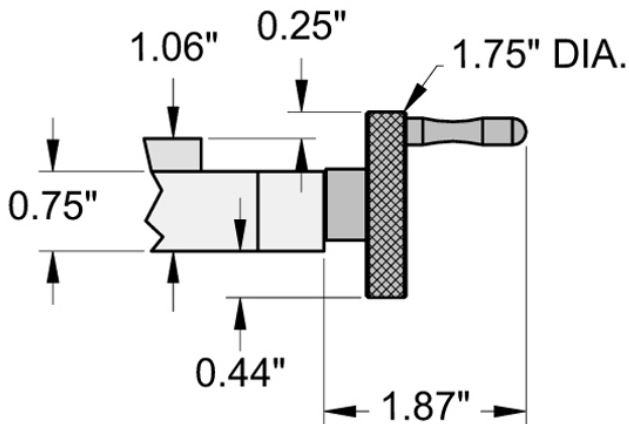
P10 or Q1 - 100 division models / Q2 - 200 division models



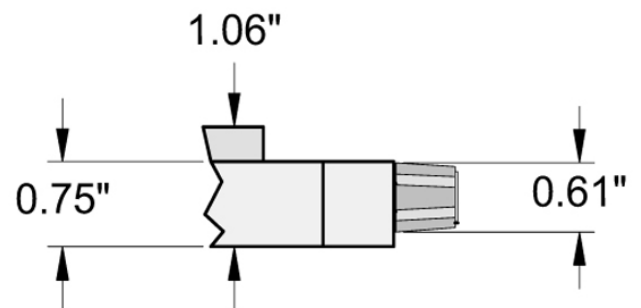
## Scale and Vernier Knob



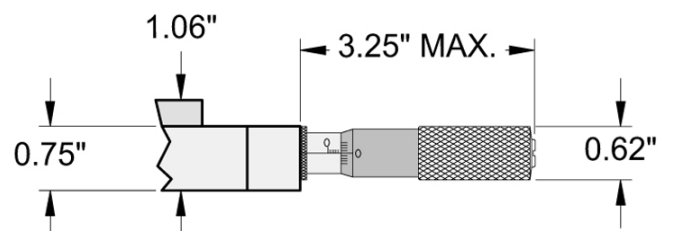
## Rapid Advance Knob - unlimited adjust



## Rapid Advance Knob - limited adjust and scale and vernier



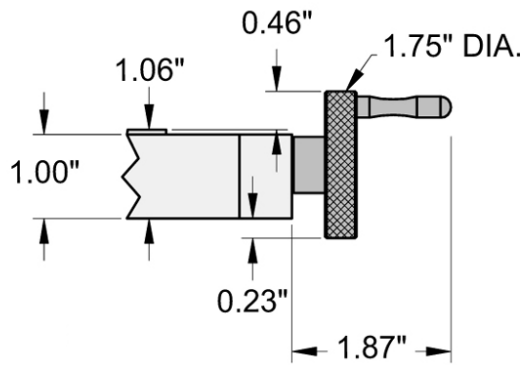
## Micrometer Knob



Positioning Systems for Science and Industry

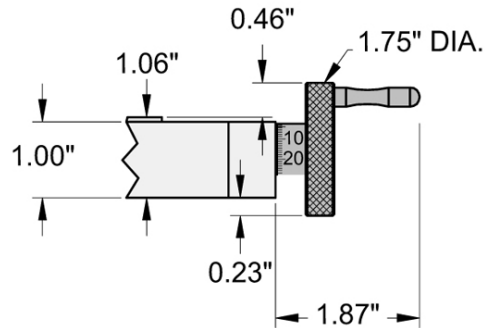
**Standard Knobs Available on Manual A40 Series UniSlide Assemblies**

**Screw Drive Knob (Also on Left/Right Models)**



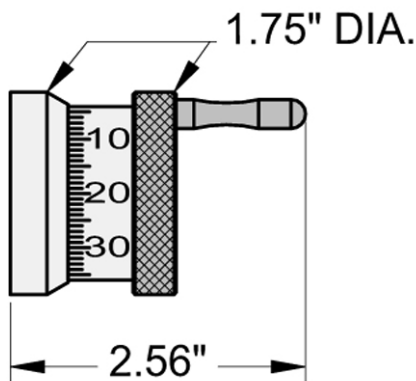
**Graduated Knob - P20 or P40**

P20 - 50 division models / P40 - 25 division models

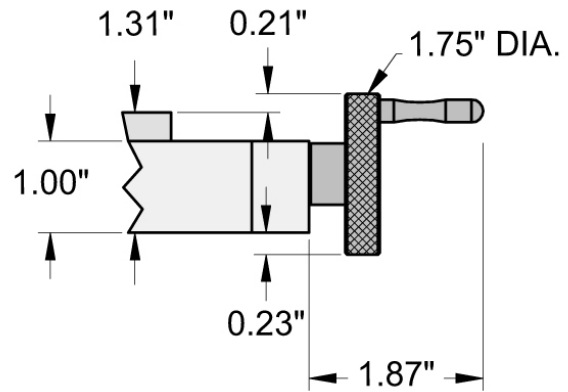


**Graduated Knob - Q1 or Q2**

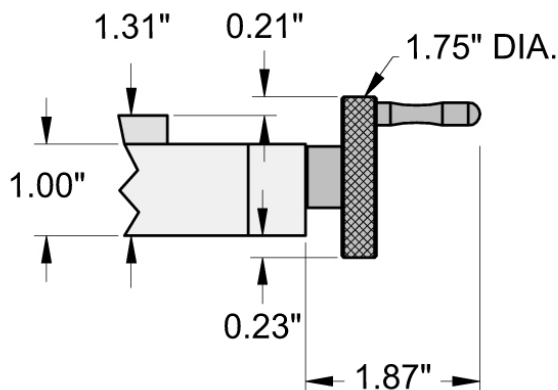
P10 or Q1 - 100 division models / P5 or Q2 - 200 division models



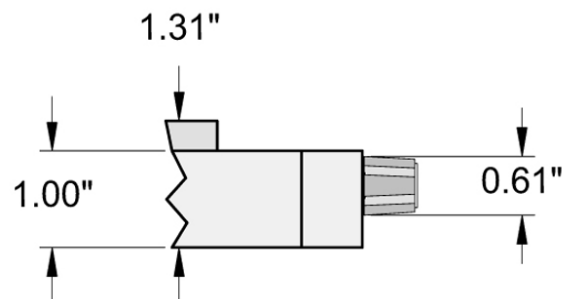
**Scale and Vernier Knob**



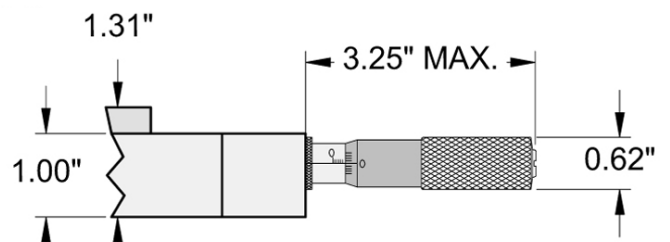
**Rapid Advance Knob - unlimited adjust**



**Rapid Advance Knob - limited adjust and scale and vernier**



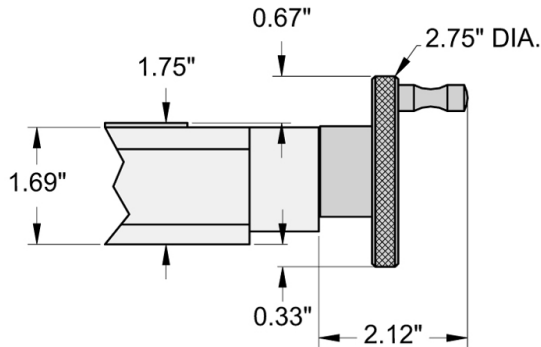
**Micrometer Knob**



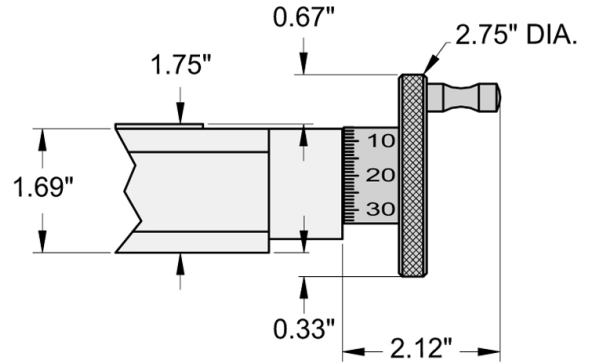
# UniSlide® Knob Drawings

## Standard Knobs Available on Manual A60 Series UniSlide Assemblies

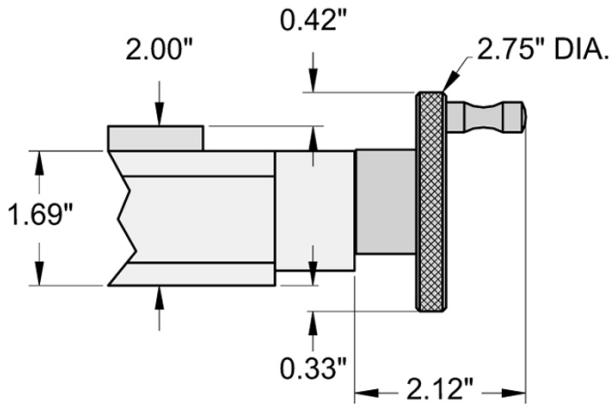
### Screw Drive Knob



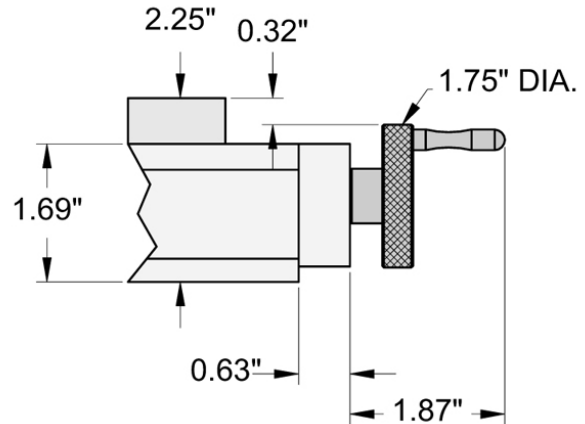
### Graduated Knob



### Scale and Vernier Knob

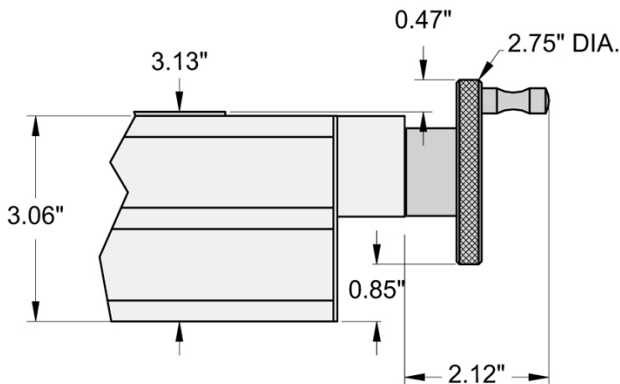


### Rapid Advance Knob - unlimited adjust

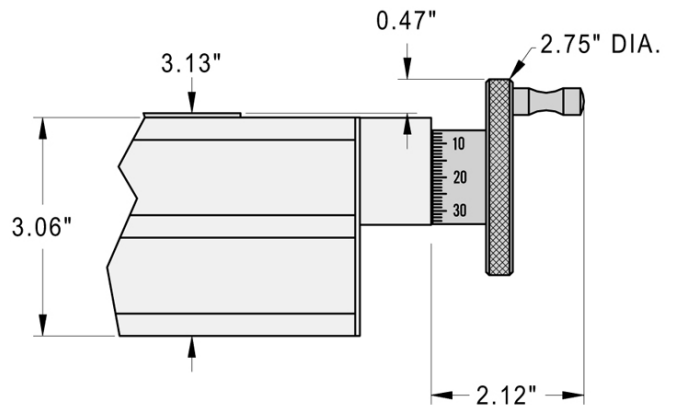


## Standard Knobs Available on Manual B90 Series UniSlide Assemblies

### Screw Drive Knob



### Graduated Knob



Positioning Systems for Science and Industry

Velmex, Inc.  
7550 State Routes 5 & 20  
Bloomfield, NY 14469-9389

TF: 1.800.642.6446  
P: +1.585.657.6151  
F: +1.585.657.6153

www.velmex.com  
info@velmex.com